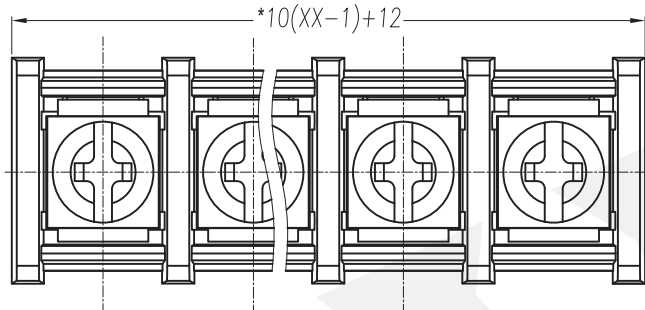
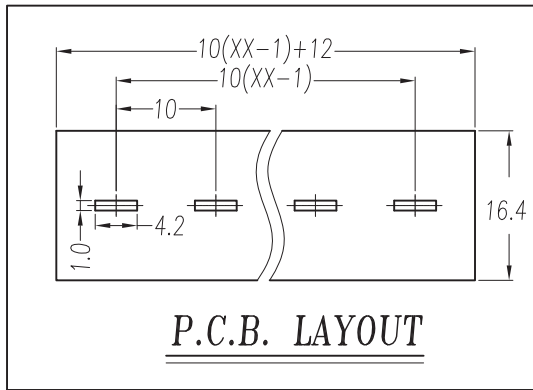


REVISION RECORD				
REV	ECN	DESCRIPTION	DRFT	DATE

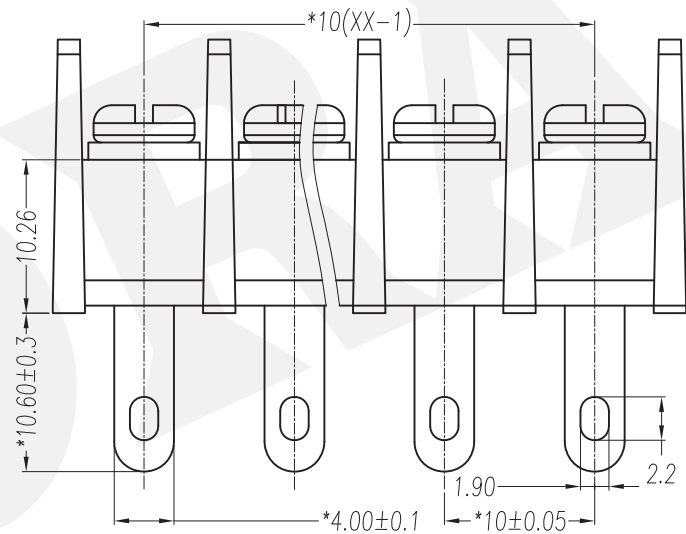
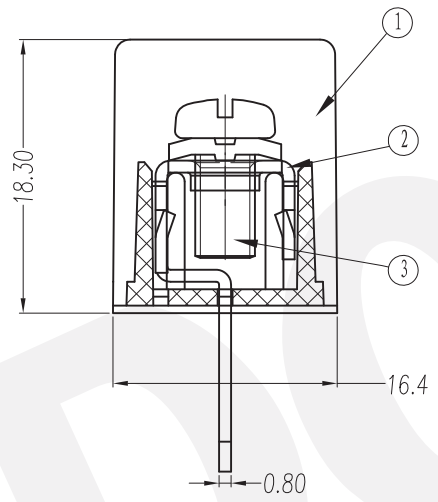


NOTES1:
 UL Standard
 1. Rated voltage/current : 300V / 20A
 2. Torque value : M4 , 10.53Lb.in
 3. Wire range : 22~12AWG

NOTES2:
 1. Dimension shall be interpreted per ASME Y14.5-2009
 2. Pitch : 10.0mm, Poles : N=02~24P
 3. Withstanding voltage : AC1600V/1Min
 4. Operating temperature: -40°C~+105°C
 5. Undimensioned tolerances:

Pitch range in mm		Nominal dimension range in mm						Tolerances	
TO	Over	Over	Over	Over	Over	Over	0.1/10	∩	∇
6	6 TO 10	10 TO 24	24 TO 30	30 TO 60	60 TO 100	100 TO 150	150	∩	∇
±0.15	±0.20	±0.30	±0.30	±0.50	±0.70	±1.00	±1.30	±2*	±2*

6. RoHS Compliance



DBT30H-10.0 - XXP - 1Y - 00A (H)
 (Series No.) (Poles) (Single Pitch) (Color): 1.(Grey)
 2.(Blue)
 3.(Black)
 4.(Green)
 5.(Orange)
 6.(Red)
 7.(Transparent)
 8.(Yellow)
 9.(White)

DETACHED LISTS	PART NO.: /	DORABO 慈溪市地博电子有限公司 CIXI DORABO ELECTRONICS CO.,LTD		
	APPD: /	NAME: DBT30H-10.0-XXP-1Y-00A(H)		
	CHKD: /	TITLE: CUSTOMER DRAWING		
	DRFT: /	REV	DO	
DRAWING NO.: /		SHEET	1/1	
THIRD ANGLE PROJECTION		MM (INCH)	DO NOT SCALE DRAWING	SCALE 1:1