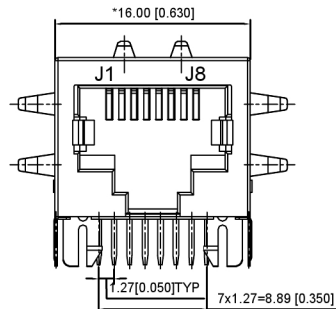
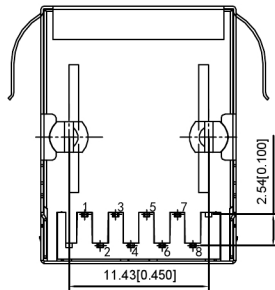


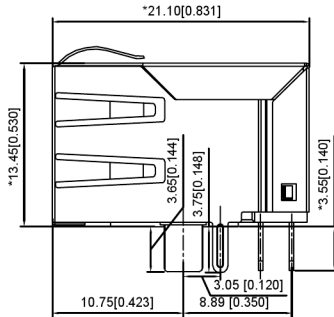
LEFT SIDE VIEW



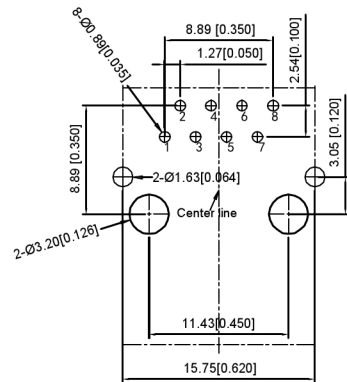
FRONT VIEW



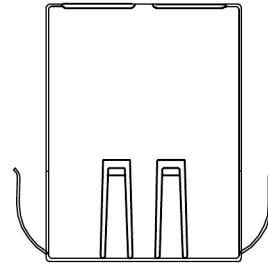
BOTTOM VIEW



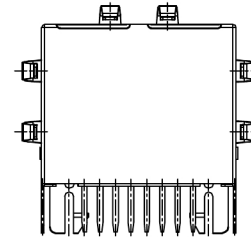
RIGHT SIDE VIEW



RECOMMENDED PCB LAYOUT  
VIEWED FROM COMPONENT SIDE



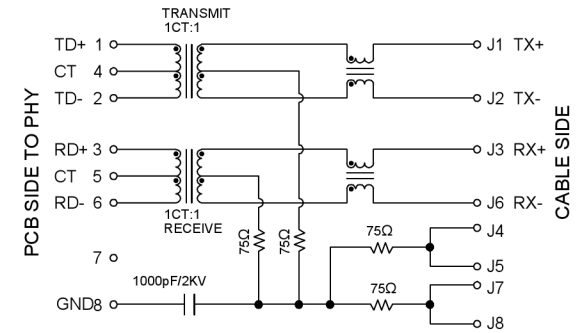
TOP VIEW



BACK VIEW

XKB Connctity  
ELECTRICAL 电气:

- Turn ratio 匝数比: 1~2: J1~J2=1CT:1CT(±2%)  
3~6: J3~J6=1CT:1CT(±2%)
- OCL 已占搭载量: 350uH Min.at 100KHz 100mV 8mA DC.
- Insertion Loss 插入损耗: -1.0 dB Max 1~100MHz
- Return loss 回程损耗: -20dB Min 1~10MHz  
-16dB Min 10~30MHz  
-12dB Min 30~60MHz  
-10dB Min 60~80MHz
- Cross talk 声道串扰: -40dB Min 1~30MHz;  
-35dB Min 30~60MHz;  
-30dB Min 60~100MHz;
- CMR 共模抑制: -30dB Min 1~100MHz;
- Hi-Pot 耐压测试: 1500V AC & 2250V DC 6S  
1mA PRI TO SEC



MATERIAL 材料:

HOUSING 外壳: PBT,UL94V-0,BLACK.  
TERMINALS BRACKET 端子支架: PBT,UL94V-0,BLACK.  
SHIELD 保护物: C2680,T=0.20MM,NICKEL PLATING ON ALL AREA.  
TERMINAL 端子: PHOSPHOR BRONZE C5210,T=0.35MM,  
GOLD PLATING ON CONTACT AREA.

MECHANICAL 机械:

DURABILITY 耐用性: 750 CYCLES MIN.  
MATING FORCE 配合力: 23N MAX.  
OPERATING TEMPERATURE 工作温度: -40°C~+85°C.  
STORAGE TEMPERATURE 储存温度: -40°C~+85°C.  
ALL CRITICAL DIMENSIONS WITH "M"

广东星坤科技股份有限公司

|      |    |
|------|----|
| ΔX   | 日期 |
| ΔX   |    |
| ΔX   |    |
| MARK |    |

文件工程章

| REVISIONS | DESCRIPTION | DATE | REVISED | APPROVED | UNSPECIFIED TOLERANCES |
|-----------|-------------|------|---------|----------|------------------------|
|           |             |      |         |          |                        |

|             |      |
|-------------|------|
| ANGLAR      | ±5°  |
| L ≤ 4       | ±0.2 |
| 4 < L ≤ 16  | ±0.3 |
| 16 < L ≤ 63 | ±0.4 |
| L > 63      | ±0.5 |



XKB INDUSTRIAL PRECISION CO., LIMITED

|      |             |             |                |
|------|-------------|-------------|----------------|
| DSND | SCALE: N/A  | MODEL TYPE: | RJ JACK        |
| DWN  | VIEW:       | PART NO.:   |                |
| CHKD | UNIT: mm/in | DWG NO.:    | X01AB002HWDDDB |
| APPD | SIZE: A4    | WEIGHT      | SHEET          |
|      |             |             | REVISION       |
|      |             | 1/1         | A0             |