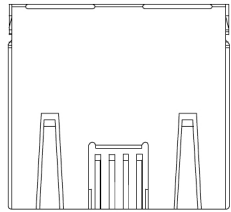
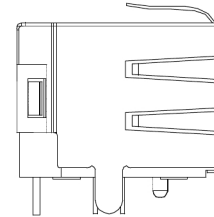


### LED Specification

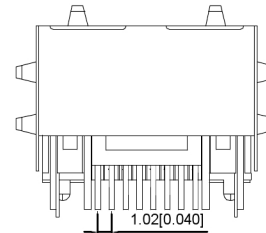
Standard LED Color	LED Wavelength	Foward(A)	Foward(V)
Green	568nm	20mA	1.8-2.8V
Yellow	585nm	20mA	1.8-2.8V



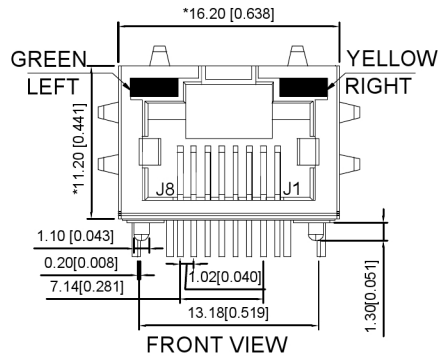
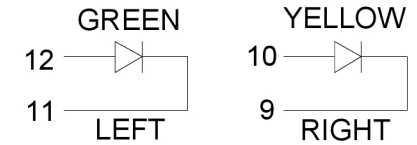
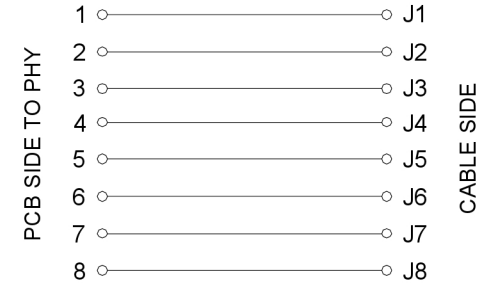
TOP VIEW



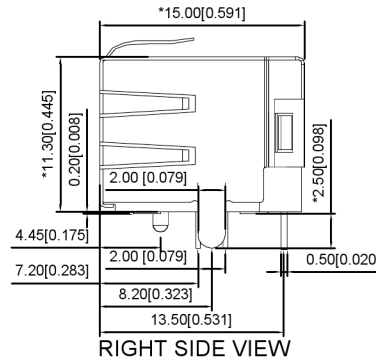
LEFT SIDE VIEW



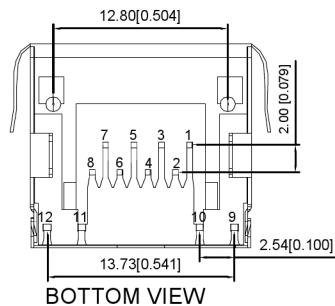
BACK VIEW



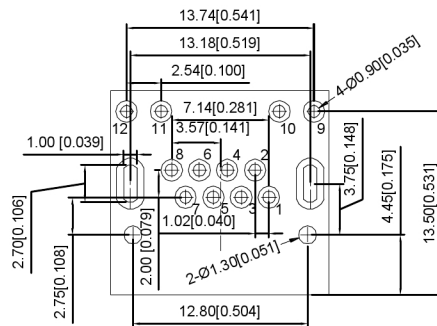
FRONT VIEW



RIGHT SIDE VIEW



BOTTOM VIEW



RECOMMENDED PCB LAYOUT  
VIEWED FROM COMPONENT SIDE

**MATERIAL 材料:**

HOUSING 外壳: LCP,UL94V-0,BLACK.

TERMINAL 端子: PHOSPHOR BRONZE T=0.46MM, GOLD PLATING

SHIELD 保护物: C2680,T=0.20MM,20 MIN NICKEL PLATING ON ALL AREA.

**MECHANICAL 机械:**

DURABILITY 耐用性: 750 CYCLES MIN,12.5MM/MINUTE.

INSERTION FORCE 插入力:2.2KG.F MAX

RETENTION STRENGTH 保持力:7.7KG.F BETWEEN JACK AND PLUG.

OPERATING TEMPERATURE 工作温度: -40°C~+85°C.

STORAGE TEMPERATURE 储存温度: -40°C~+85°C.

ALL CRITICAL DIMENSIONS WITH ""M"

**ELECTRICAL 电气:**

VOLTAGE 电压: 125 VOLTS AC.

CURRENT RATING 电流额定值: 1.5AMP.

DIELECTRIC STRENGTH 介电强度: 1000 VAC RMS 50HZ OR 60HZ,1 MIN

INSULATION RESISTANCE 绝缘电阻: 500 MEGA OHMS MIN.INITIAL

AFTER 500V DC FOR 1 MINUTE.

CONTACT RESISTANCE 接触电阻: SINGLE TERMINAL 30 MILLIOHMS MAX.

INITIAL 50 MILLIOHMS MAX. AFTER

DURABILITY TEST.

广东星坤科技股份有限公司

△X		日期
△X		日期
△X		日期
MARK	DESCRIPTION	

文件工程章

REVISIONS	DATE	REVISED	APPROVED	UNSPECIFIED TOLERANCES
ANGLAR				±5°
L ≤ 4				±0.2
4 < L ≤ 16				±0.3
16 < L ≤ 63				±0.4
L > 63				±0.5



DSND	SCALE: N/A	MODEL TYPE:	RJ JACK
DWN	VIEW:	PART NO.:	
CHKD	UNIT: mm/in	DWG NO.:	X28ADDB2A6DY4008
APPD	SIZE: A4	WEIGHT	SHEET
		1/1	REVISIO
			A0