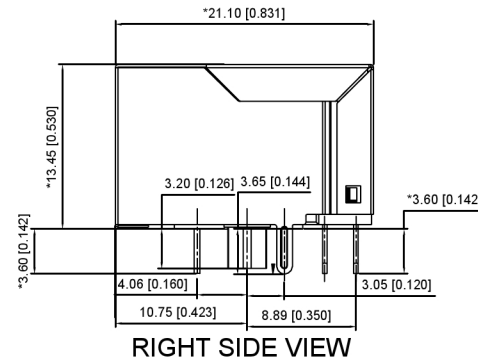
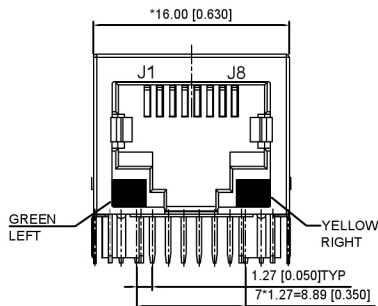


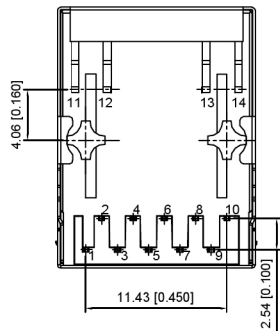
LEFT SIDE VIEW



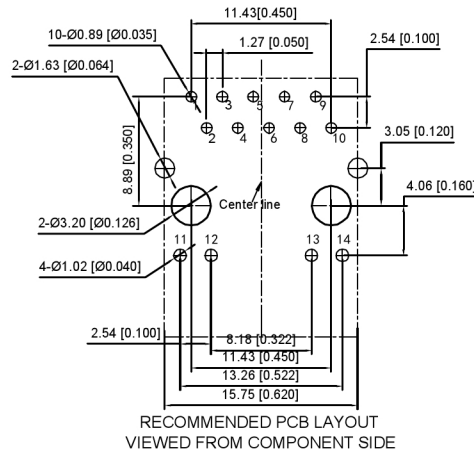
RIGHT SIDE VIEW



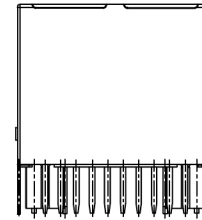
FRONT VIEW



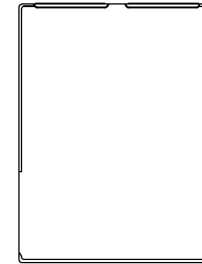
BOTTOM VIEW



RECOMMENDED PCB LAYOUT VIEWED FROM COMPONENT SIDE



BACK VIEW



TOP VIEW

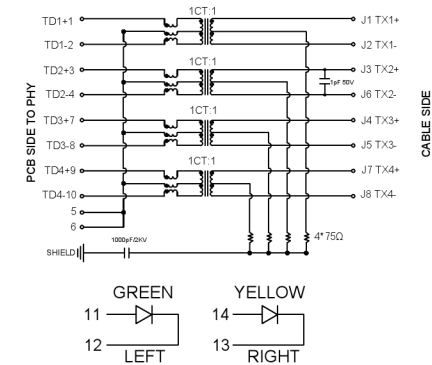
XKB Connectivity

Electrical 电气:

- Turn ratio 匝数比: 1~2: J1~J2=1CT:1CT(±2%)
3~4: J3~J6=1CT:1CT(±2%)
7~8: J4~J5=1CT:1CT(±2%)
9~10: J7~J8=1CT:1CT(±2%)
- OCL: 180uH Min.at 100KHz 100mV
- Insertion Loss 插入损耗: -1.0 dB Max 1~125MHz.
- Return loss 回波损耗: -20dB Min 1~40MHz.
-20+15LOG10(f/40MHz) Min 40~200 MHz.
- Cross talk: -30dB TYP 1~125MHz;
- CMR: -30dB Min 30~200MHz;
- Hi-Pot: 2250V DC VRMS MIN AT 60 SECONDS

LED Specification

Standard	LED Color	LED Wavelength	Forward(A)	Forward(V)
Green	Green	568nm	20mA	1.85-2.45V
Yellow	Yellow	585nm	20mA	1.7-2.2V



XKB Connectivity

MATERIAL 材料:

- HOUSING 外壳: PBT,UL94V-0,BLACK.
- TERMINALS BRACKET 端子支架: PBT,UL94V-0,BLACK.
- SHIELD 保护物: C2680,T=0.20MM,NICKEL PLATING ON ALL AREA.
- TERMINAL 端子: PHOSPHOR BRONZE C5210,T=0.35MM, GOLD PLATING ON CONTACT AREA.

MECHANICAL 机械:

- DURABILITY 耐用性: 750 CYCLES MIN.
- MATING FORCE 配合力: 23N MAX.
- OPERATING TEMPERATURE 工作温度: -40°C~+85°C.
- STORAGE TEMPERATURE 储存温度: -40°C~+85°C.
- ALL CRITICAL DIMENSIONS WITH "*"

广东星坤科技股份有限公司

ΔX		日期
ΔX		日期
ΔX		日期
MARK	DESCRIPTION	

文件工程章

REVISIONS	DATE	REVISED	APPROVED	UNSPECIFIED TOLERANCES

DSND	SCALE: N/A	MODEL TYPE: RJ JACK
DWN	VIEW:	PART NO.:
CHKD	UNIT: mm/in	DWG NO.: X01AQ285AA2ADA2
APPD	SIZE: A4	WEIGHT SHEET REVISION
XKB INDUSTRIAL PRECISION CO.,LIMITED		1/1 A0

