

REVISION RECORD				
REV	ECN	DESCRIPTION	DRFT	DATE

NOTES1:  
 UL Standard  
 1.Rated voltage/current : 300V / 15A  
 2.Withstanding voltage : AC1600V/1Min.

2x13(含) 以上本体需要左右拼接

IEC Standard

1.

Pollution degree	2
Overtoltage category	III
Rate impulse voltage(KV)	4KV
Rate voltage(V)	320V
Rate current(A)	10A

NOTES2:  
 1.Dimension shall be interpreted per ASME Y14.5-2009  
 2.Pitch : 5.08mm, Poles : N=04~48P  
 3.Operating temperature:-40°C~+105°C  
 4.Undimensioned tolerances:

Pitch range in mm		Nominal dimension range in mm						Tolerances	
To	Over	To	Over	To	Over	To	Over	0.1/10	□
6	10	10	24	30	60	100	150	±0.15	±0.20
10	24	24	30	30	60	100	150	±0.30	±0.50
24	30	30	60	60	100	150	150	±0.70	±1.00
30	60	60	100	100	150	150	150	±1.30	±2.0

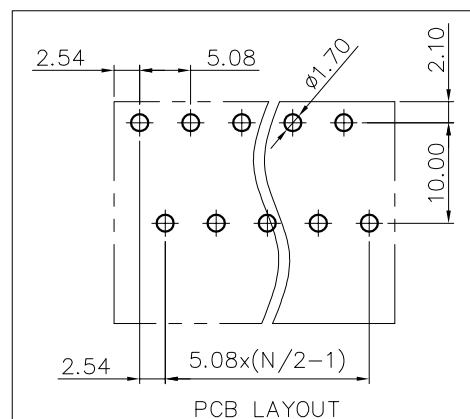
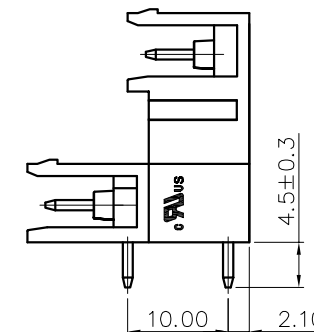
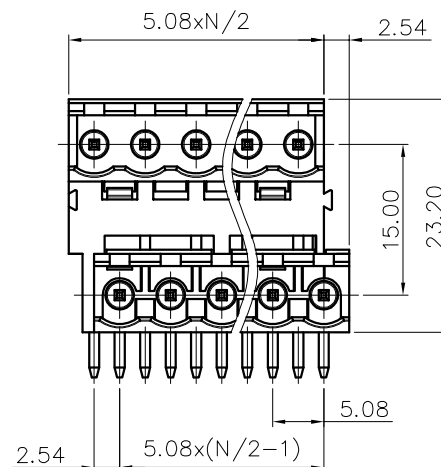
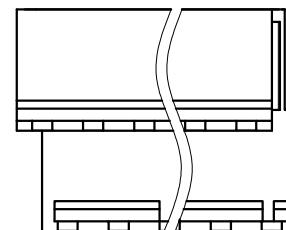
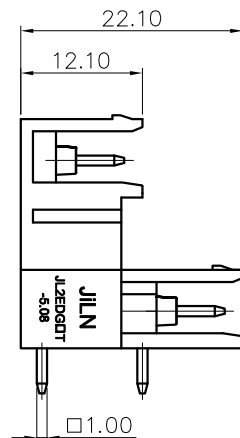
5.RoHS Compliance

## Ordering Information

**JL2EDGRT - 508 XX G 0 1**

Pitch 508=5.08PH      No.of pins 4P~48P      Housing Color B=Black G=Green U=Blue R=Red W=White Y=Yellow □=Orange E=Grey

Packing 0=Pe bag T=Tube A=Tray



DRAW	SHUANGPING ZHENG	SCALE	FIT	<b>东莞市锦凌电子有限公司</b> DONGGUAN JINLING ELECTRONIC CO.,LTD	
		UNIT	mm		
CHECK	LICHAD LIU	SIZE	A4		
		SHEET	1/1		
APPROVE	TONGLIANG GAO	PROJ.		PART NO.	JL2EDGRT-508XXG01
		TITLE	JL2EDGRT-5.08-2xNP插拔式公座/弯脚/开口/绿色		