

型号命名 PRODUCT NAMING

YDF - XX X X

NONE不贴膜, S带贴膜
 引脚尖端的行距
 E:8.1mm
 产品位数
 YDF系列

With membrane
 Row space of SMT item
 E:8.1mm
 Position of Product
 YDF Series

产品位数 PRODUCT POSITIONS

| | | | | | | | | | |
|-----|--|------|--|-----|--|-------|--|-----|--|
| 02 | | 04 | | 06 | | 08 | | 10 | |
| 二位 | | 四位 | | 六位 | | 八位 | | 十位 | |
| two | | four | | six | | eight | | ten | |

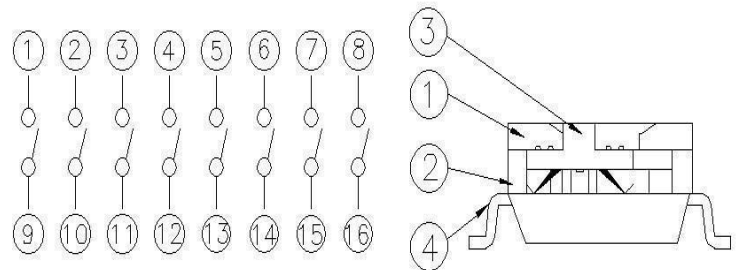
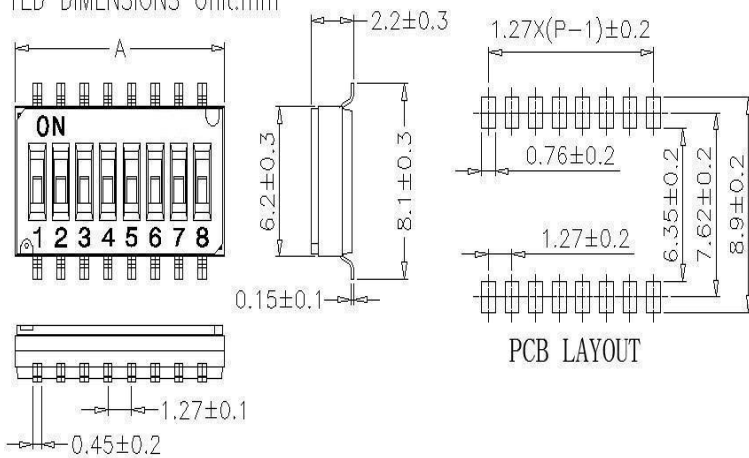
外形及装配尺寸 SHAPE AND ASSEMBLY SIZE

DIMENSION A (General tolerance: ±0.3)

| POSITIONS | 2 | 3 | 4 | 5 | 6 | 7 | 8 | 9 | 10 |
|-----------|------|---|------|---|------|---|-------|---|-------|
| A | 3.67 | | 6.21 | | 8.75 | | 11.29 | | 13.83 |

| ITEM | DES | MATERIALS | TREATMENT |
|------|----------|---------------------|--------------|
| 1 | COVER | ENGINEERING PLASTIC | BLACK |
| 2 | BASE | ENGINEERING PLASTIC | BLACK |
| 3 | ACTUATOR | ENGINEERING PLASTIC | WHITE |
| 4 | TERMINAL | COPPER ALLOY | PLATING GOLD |

YED DIMENSIONS Unit:mm



CIRCUIT DIAGRAW

CONSTRUCTION

产品包装 PACKING

YDF系列产品包装资料 (Packing data of YDF series)

贴片型可采用盘带包装, 每盘为2000PCS.

SMT type can be Packed in Tape & Reel,

The quantity is 2000pcs/Reel.