

型号命名 PRODUCT NAMING

YDD-XX X

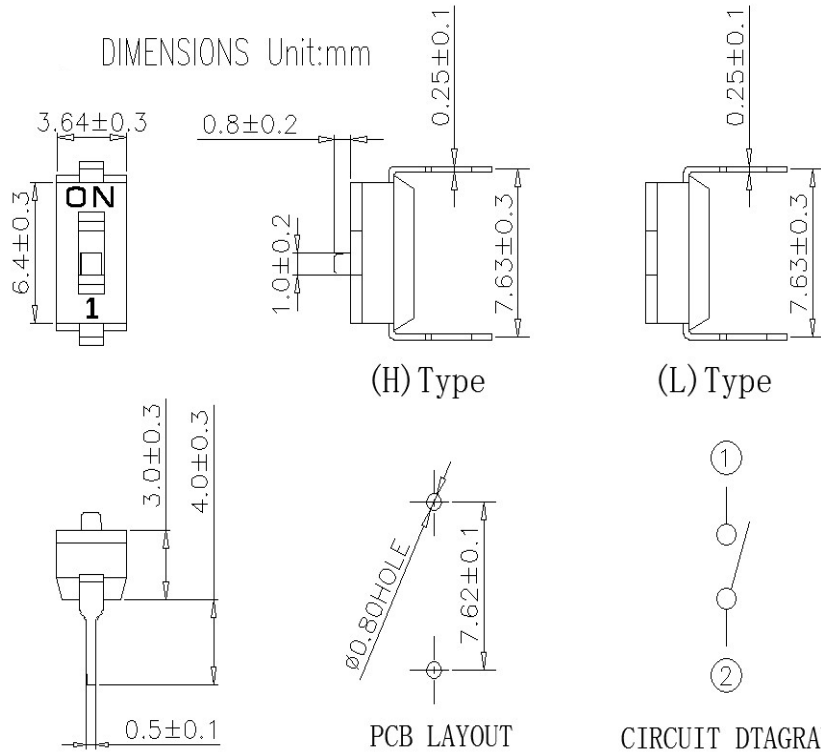
拨键形式
H:高拨键 L:低拨键
产品位数
YDD系列

Form of the actuator
H:high actuator L:low actuator
Position of product
YDD Series

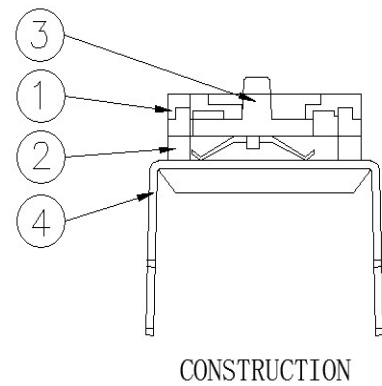
产品位数 PRODUCT POSITIONS

01									
一位									
one									

外形及装配尺寸 SHAPE AND ASSEMBLY SIZE



ITEM	DES	MATERIALS	TREATMENT
1	COVER	ENGINEERING PLASTIC	BLACK
2	BASE	ENGINEERING PLASTIC	BLACK
3	ACTUATOR	ENGINEERING PLASTIC	WHITE
4	TERMINAL	COPPER ALLOY	PLATING GOLD



产品包装 PACKING

所有拨码产品皆以IC管形式包装。
All DIP Switches are packed in standard IC tubes.
YDD系列产品包装资料 (Packing data of YDD series)

系列	开关位数 NO. OF POS	每管数量 PER TUBE	每小箱数量 PER BOX	外箱包装 PER CARTON
YDD	1	130PCS	13000PCS	6 BOXES