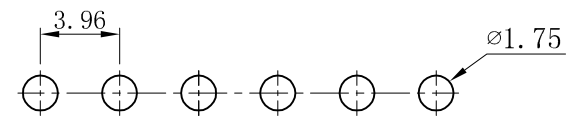
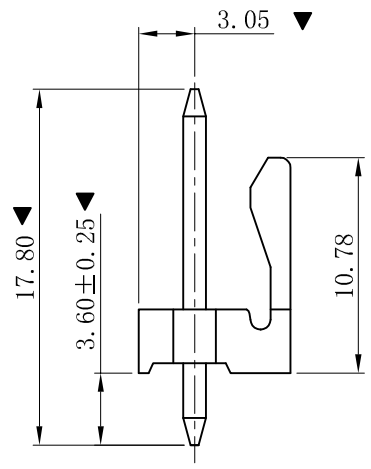
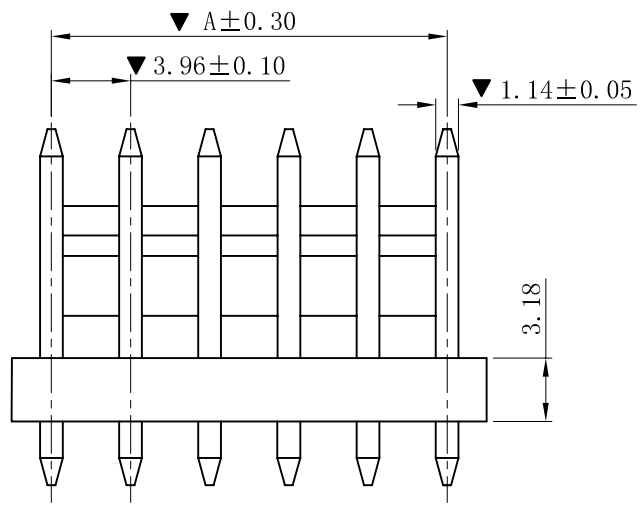
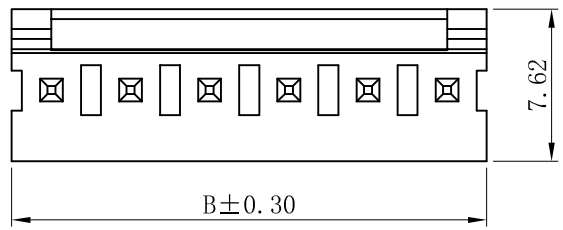


环保物料

TEL: 0769-82001899



P. C. B. LAYOUT

■ SPECIFICATIONS

- Voltage rating: 250V AC, DC
- Current rating: 5A, AC, DC
- Withstanding Voltage: 1500V AC/minute
- Insulation resistance: 1000MΩ min
- Temperature range: -25° C ~ +85° C
- Contact resistance: 20mΩ max

■ WAFER

- Poles : 02-12P
- Housing Material: PA66 UL94V-0
- Pin Material: Brass
- Contact Area Plating: Tin-Plated
- The Dimension Marked “▼” Must Be Recorded
- Part No. : M3965V-xxP

Pin位数

Poles	Dimensions (mm)	
	A	B
02	3.96	7.92
03	7.92	11.88
04	11.88	15.84
05	15.84	19.80
06	19.80	23.76
07	23.76	27.72
08	27.72	31.68
09	31.68	35.64
10	35.64	39.60
11	39.60	43.56
12	43.56	47.52

2022-08-13修正

TOLERANCE UNLESS OTHERWISE

DRAWN CK tan

XFCN 兴飞连接器有限公司
XFCN CONNECTORS CO.,LTD.

SHEET 1/1

TOLERANCE :
.000 : ±0.08
.00 : ±0.13
.0 : ±0.25

CHKD

DATE 2020.04.12

APPD

PRODUCT NAME 3.96mm Crimp Style Connectors

UNITS mm

AO

VIEW

PART. NO.

M3965V-xxP

SCALE 1:1

VER

MODIFICATION

DRAW

DATE

DWG NO. 009