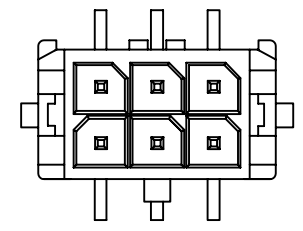
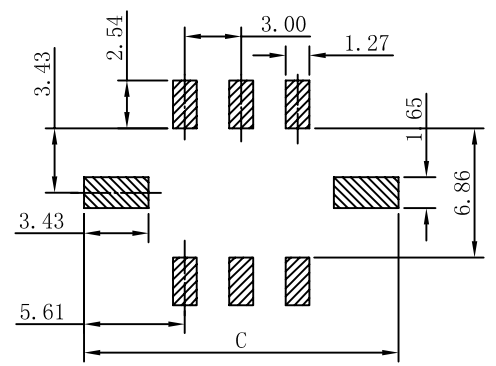
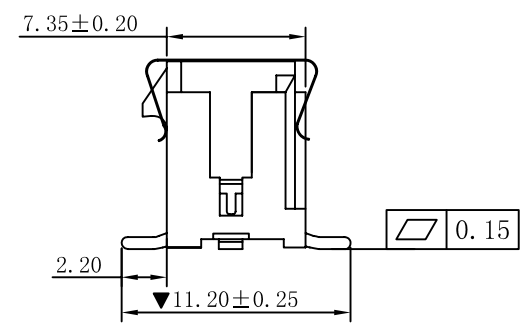
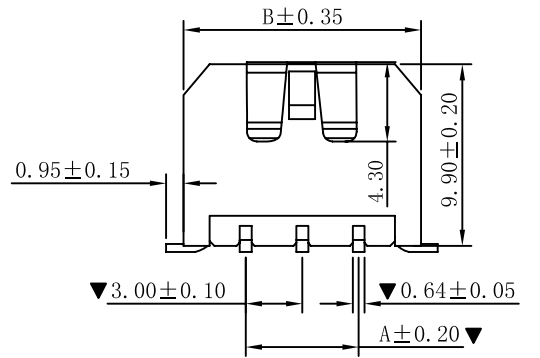


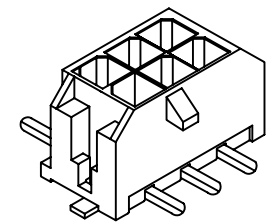
WITH CAP VIEW



WITHOUT CAP VIEW



P. C. B. LAYOUT



SPECIFICATIONS

- 1.Voltage rating: 250V AC, DC
- 2.Current rating: 5A, AC, DC
- 3.Withstanding Voltage: 1500V AC/minute
- 4.Insulation resistance:1000M min
- 5.Temperature range: -25 ° C-+85 ° C
- 6.Contact resistance: 10m max

WAFER

Housing Material: LCP UL 94V0  
 Pin Material: Phosphor Bronze or Brass  
 Contact Area Plating: Plated Tin or Plated Gold  
 Mates with :P3025-2xXX series Housing  
 Poles:02-24P  
 Part No.: M3025VS-2xXX-BK

Pin位数

PART NO.	Dimensions (mm)		
	A	B	C
2x01	--	6.65	11.20
2x02	3.00	9.65	14.20
2x03	6.00	12.65	17.20
2x04	9.00	15.65	20.20
2x05	12.00	18.65	23.20
2x06	15.00	21.65	26.20
2x07	18.00	24.65	29.20
2x08	21.00	27.65	32.20
2x09	24.00	30.65	35.20
2x10	27.00	33.65	38.20
2x11	30.00	36.65	41.20
2x12	33.00	39.65	44.20

AO	MODIFICATION	DRAW	DATE
VER			

TOLERANCE UNLESS OTHERWISE		DRAWN	CK tan
X.	±0.30 X° ±5°	CHKD	
.X	±0.20 .X° ±2°	APPD	
.XX	±0.08 .XX° ±1°	VIEW	⊕
.XXX	±0.03 .XXX° ±0.5°		

**XFCN** 兴飞连接器有限公司  
 XFCN CONNECTORS CO.,LTD.

PRODUCT NAME	3.00mm Crimp Style Connectors
PART. NO.	M3025VS-2xXX-BK

SHEET	1/1
DATE	2020.04.12
UNITS	mm
SCALE	1:1
DWG. NO.	009