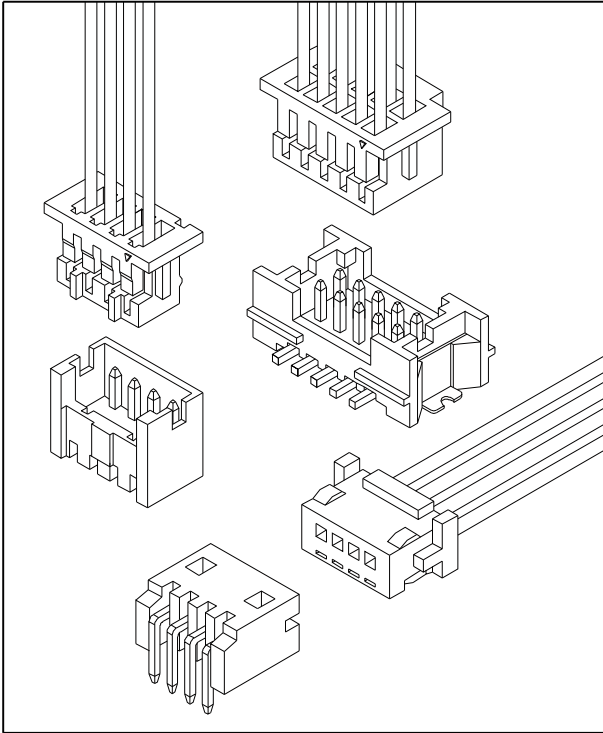


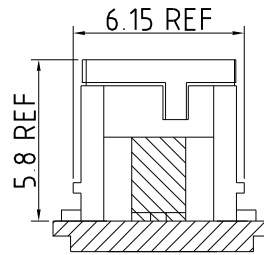
1.25mm Pitch Wire To Board Connector



Specification

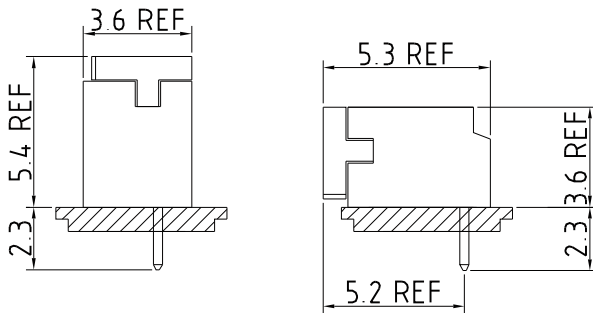
| | |
|-----------------------------------|-------------------|
| Circuits | 02-15 , 2x05-2x20 |
| Pitch | 1.25mm |
| Current Rating | 1A AC/DC |
| Voltage Rating | 100V AC/DC |
| Contact Resistance | 20mΩ MAX. |
| Withstand Voltage | 500V AC/minute |
| Insulation Resistance | 500MΩ MIN. |
| Temperature Range | -25°C - +85°C |
| Applicable Wire Range | AWG #26 - #32 |
| Applicable P.C.B Thickness | 0.8mm - 1.2mm |
| Applicable P.C.B Hole Dia. | ∅0.6mm ± 0.05 |

Vertical Dual Row SMT Type

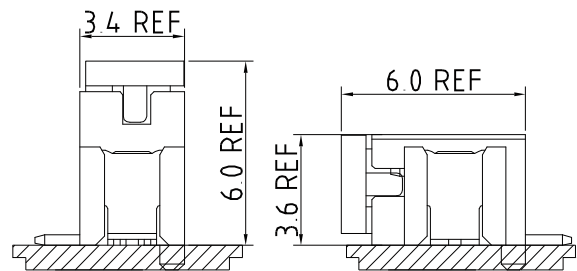


Assembly Layout

Vertical DIP Type Right Angle DIP Type



Vertical SMT Type Right Angle SMT Type



IPCW130 * ** * * * * *
 ① ② ③ ④ ⑤ ⑥ ⑦ ⑧

- ① Series Type. IPCW130
- ② Connector Type.
T: Terminal
W: Wafer
H: Housing
- ③ Pin code.
Terminal: Serial number
Wafer or Housing: x row x pin number of row
- ④ Material code.
- ⑤ Appearance code.
- ⑥ Internal code
- ⑦ Company code.

- ⑧ Other code.
Housing
K: Dual Row K Type
Wafer
V: Vertical 01
U: Vertical 02
R: Right Angle 01
T: Right Angle 02
S: Vertical SMT Type
K: Vertical SK - Type

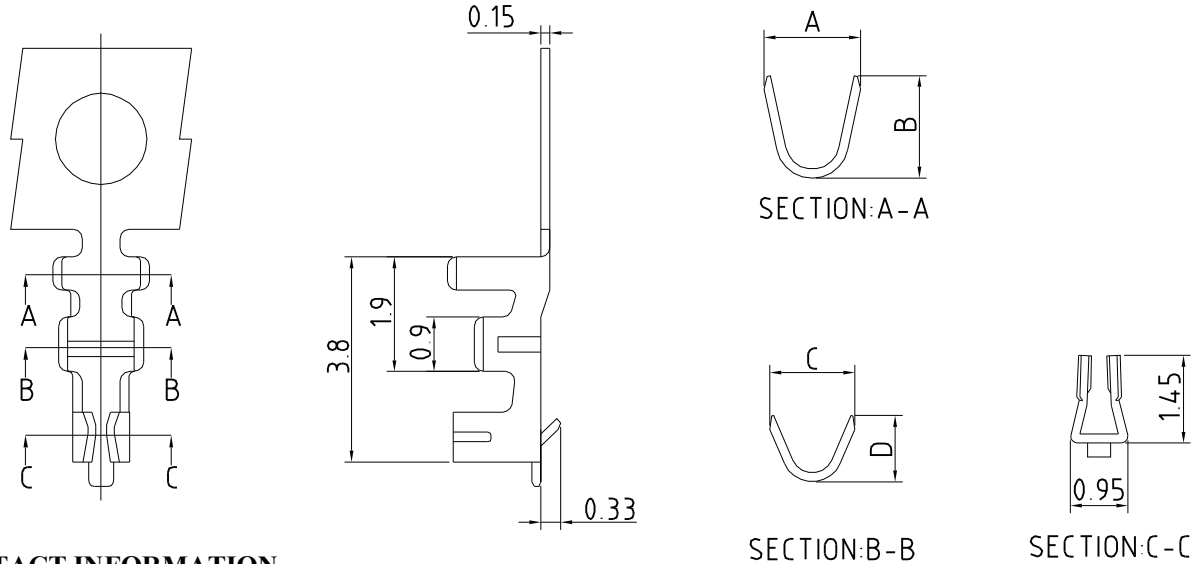
1.25mm Pitch Wire To Board Connector

Unit : mm

Terminal

Features

Use with: IPCW130 Series Housing



CONTACT INFORMATION

| Part No. | Wire Range | Insulation O.D. | DIM.(mm) | | | | Material | Finish | Q'ty/Reel |
|-------------|-------------|-----------------|----------|-----|-----|-----|-----------------|----------|-----------|
| | | | A | B | C | D | | | |
| IPCW130T01* | AWG #26-#28 | 0.90mm(MAX.) | 1.6 | 1.7 | 1.4 | 1.1 | Phosphor bronze | See note | 15,000pcs |
| IPCW130T02* | AWG #30-#32 | 0.70mm(MAX.) | 1.4 | 1.3 | 1.1 | 1.0 | | | |

Housing Single Row

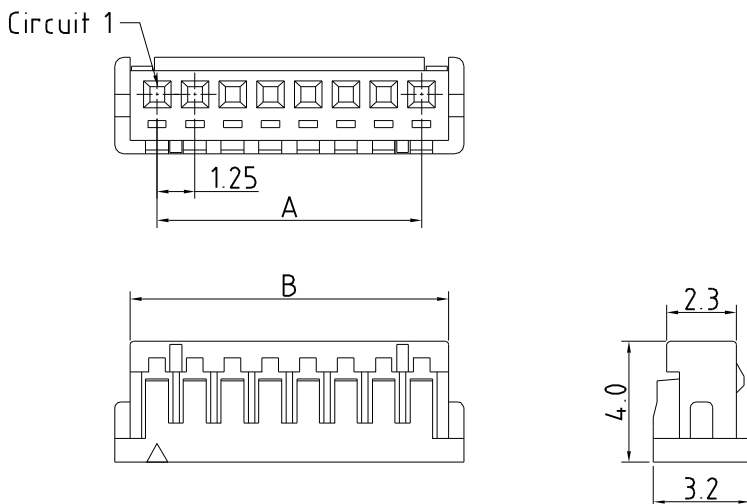
Features

Available Number of Circuits: 02 - 15

Material: Regular Thermoplastic 94V-0

Use with: IPCW130 Crimp Terminal

Mates with : IPCW130 Series Single Row Wafer



Dimension and Order Information

| Circuits | Part No. | DIM.(mm) | |
|----------|-------------|----------|-------|
| | | A | B |
| 2 | IPCW130H12* | 1.25 | 3.05 |
| 3 | IPCW130H13* | 2.50 | 4.30 |
| 4 | IPCW130H14* | 3.75 | 5.55 |
| 5 | IPCW130H15* | 5.00 | 6.80 |
| 6 | IPCW130H16* | 6.25 | 8.05 |
| 7 | IPCW130H17* | 7.50 | 9.30 |
| 8 | IPCW130H18* | 8.75 | 10.55 |
| 9 | IPCW130H19* | 10.00 | 11.80 |
| 10 | IPCW130H1A* | 11.25 | 13.05 |
| 11 | IPCW130H1B* | 12.50 | 14.30 |
| 12 | IPCW130H1C* | 13.75 | 15.55 |
| 13 | IPCW130H1D* | 15.00 | 16.80 |
| 14 | IPCW130H1E* | 16.25 | 18.05 |
| 15 | IPCW130H1F* | 17.50 | 19.30 |

1.25mm Pitch Wire To Board Connector

Unit : mm

Housing Dual Row

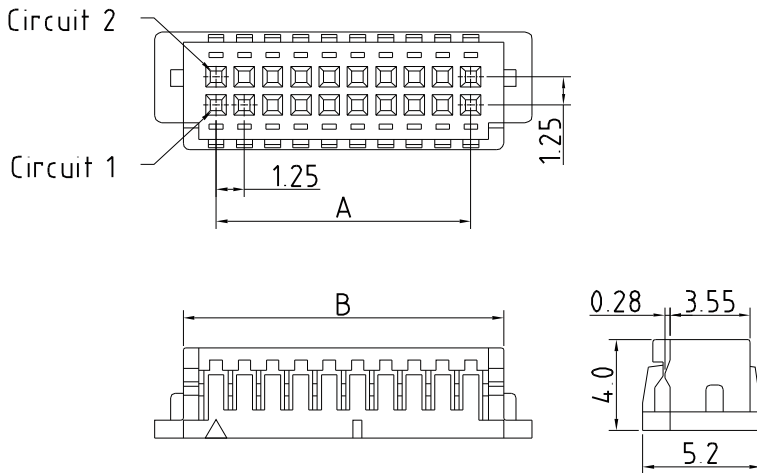
Features

Available Number of Circuits: 2x05 - 2x20

Material: Regular Thermoplastic 94V-0

Use with: IPCW130 Crimp Terminal

Mates with : IPCW130 Series Dual Row Wafer



Dimension and Order Information

| Circuits | Part No. | DIM.(mm) | |
|----------|-------------|----------|-------|
| | | A | B |
| 10 | IPCW130H25* | 5.00 | 7.90 |
| 20 | IPCW130H2A* | 11.25 | 14.15 |
| 30 | IPCW130H2F* | 17.50 | 20.40 |
| 40 | IPCW130H2K* | 23.75 | 26.65 |

Housing Dual Row K Type

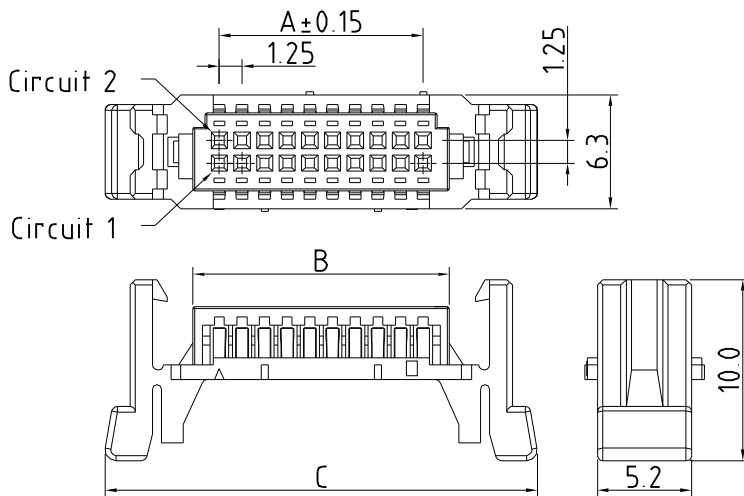
Features

Available Number of Circuits: 2x05 - 2x20

Material: Regular Thermoplastic 94V-0

Use with: IPCW130 Crimp Terminal

Mates with : IPCW130 Series Dual Row K Type Wafer



Dimension and Order Information

| Circuits | Part No. | DIM.(mm) | | |
|----------|--------------|----------|-------|-------|
| | | A | B | C |
| 10 | IPCW130H25*K | 5.00 | 7.90 | 17.60 |
| 20 | IPCW130H2A*K | 11.25 | 14.15 | 13.85 |
| 30 | IPCW130H2F*K | 17.50 | 20.40 | 30.10 |
| 40 | IPCW130H2K*K | 23.75 | 26.65 | 36.35 |

1.25mm Pitch Wire To Board Connector

Unit : mm

Wafer Vertical 01

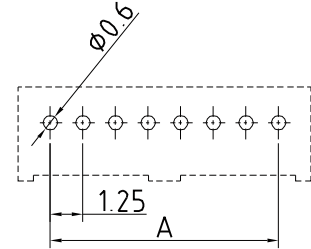
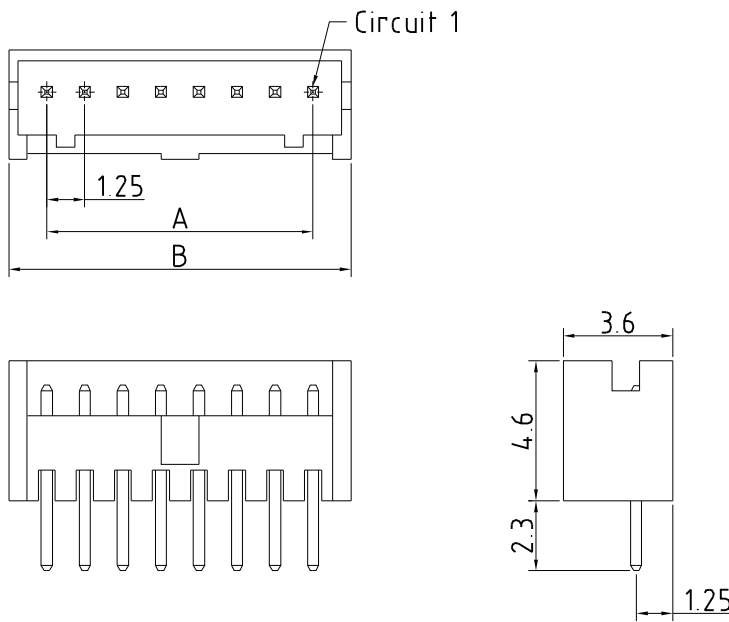
Features

Available Number of Circuits : 02 - 30

Material : Regular Thermoplastic 94V-0

Contact: 0.35mm(.014") Copper Alloy, Tin-plated

Mates with : IPCW130 Series Single Row Housing



P.C.B LAYOUT

Dimension and Order Information

| Circuits | Part No. | DIM.(mm) | |
|----------|--------------|----------|-------|
| | | A | B |
| 2 | IPCW130W12*V | 1.25 | 3.75 |
| 3 | IPCW130W13*V | 2.50 | 5.00 |
| 4 | IPCW130W14*V | 3.75 | 6.25 |
| 5 | IPCW130W15*V | 5.00 | 7.50 |
| 6 | IPCW130W16*V | 6.25 | 8.75 |
| 7 | IPCW130W17*V | 7.50 | 10.00 |
| 8 | IPCW130W18*V | 8.75 | 11.25 |
| 9 | IPCW130W19*V | 10.00 | 12.50 |
| 10 | IPCW130W1A*V | 11.25 | 13.75 |
| 11 | IPCW130W1B*V | 12.50 | 15.00 |
| 12 | IPCW130W1C*V | 13.75 | 16.25 |
| 13 | IPCW130W1D*V | 15.00 | 17.50 |
| 14 | IPCW130W1E*V | 16.25 | 18.75 |
| 15 | IPCW130W1F*V | 17.50 | 20.00 |
| 20 | IPCW130W1K*V | 23.75 | 26.25 |
| 25 | IPCW130W1P*V | 30.00 | 32.50 |
| 30 | IPCW130W1U*V | 36.25 | 38.75 |

Wafer Right Angle 01

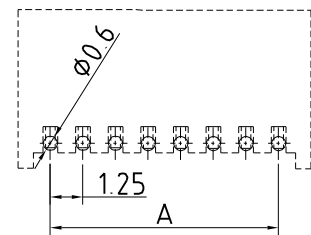
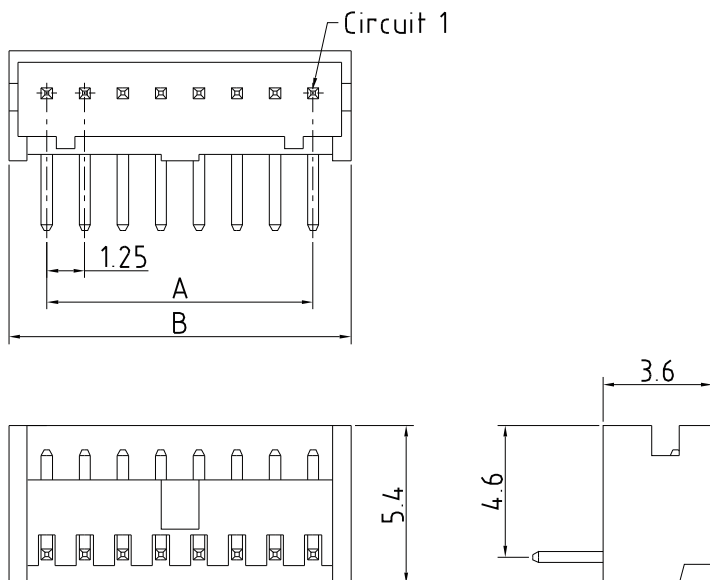
Features

Available Number of Circuits : 02 - 15

Material : Regular Thermoplastic 94V-0

Contact: 0.35mm(.014") Copper Alloy, Tin-plated

Mates with : IPCW130 Series Single Row Housing



P.C.B LAYOUT

Dimension and Order Information

| Circuits | Part No. | DIM.(mm) | |
|----------|--------------|----------|-------|
| | | A | B |
| 2 | IPCW130W12*R | 1.25 | 4.15 |
| 3 | IPCW130W13*R | 2.50 | 5.40 |
| 4 | IPCW130W14*R | 3.75 | 6.65 |
| 5 | IPCW130W15*R | 5.00 | 7.95 |
| 6 | IPCW130W16*R | 6.25 | 9.15 |
| 7 | IPCW130W17*R | 7.50 | 10.40 |
| 8 | IPCW130W18*R | 8.75 | 11.65 |
| 9 | IPCW130W19*R | 10.00 | 12.90 |
| 10 | IPCW130W1A*R | 11.25 | 14.15 |
| 11 | IPCW130W1B*R | 12.50 | 15.40 |
| 12 | IPCW130W1C*R | 13.75 | 16.65 |
| 13 | IPCW130W1D*R | 15.00 | 17.90 |
| 14 | IPCW130W1E*R | 16.25 | 19.15 |
| 15 | IPCW130W1F*R | 17.50 | 20.40 |

1.25mm Pitch Wire To Board Connector

Unit : mm

Wafer

Vertical 02

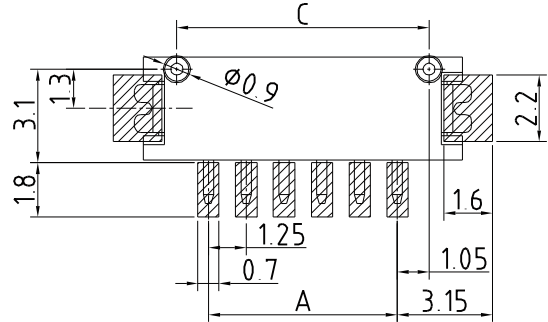
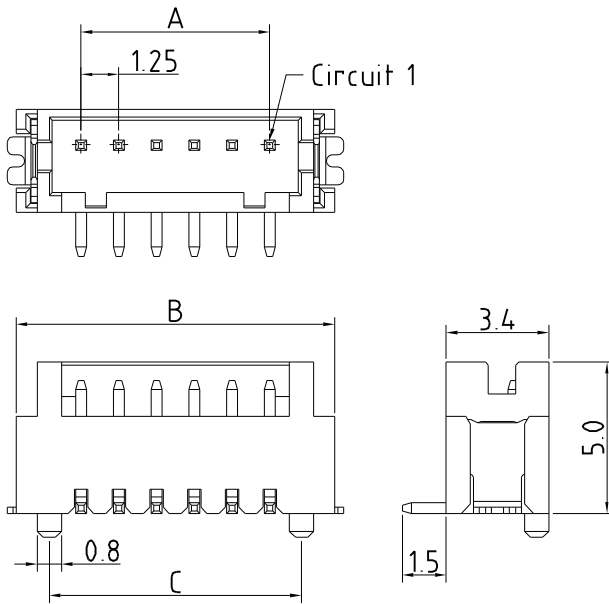
Features

Available Number of Circuits : 02 - 15

Material : High Temperature Thermoplastic 94V-0

Contact: 0.35mm(.014") Copper Alloy, Tin-plated

Mates with : IPCW130 Series Single Row Housing



P.C.B LAYOUT

Dimension and Order Information

| Circuits | Part No. | DIM.(mm) | | |
|----------|--------------|----------|-------|-------|
| | | A | B | C |
| 2 | IPCW130W12*U | 1.25 | 5.55 | 3.35 |
| 3 | IPCW130W13*U | 2.50 | 6.80 | 4.60 |
| 4 | IPCW130W14*U | 3.75 | 8.05 | 5.85 |
| 5 | IPCW130W15*U | 5.00 | 9.30 | 7.10 |
| 6 | IPCW130W16*U | 6.25 | 10.55 | 8.35 |
| 7 | IPCW130W17*U | 7.50 | 11.80 | 9.60 |
| 8 | IPCW130W18*U | 8.75 | 13.05 | 10.85 |
| 9 | IPCW130W19*U | 10.00 | 14.30 | 12.10 |
| 10 | IPCW130W1A*U | 11.25 | 15.55 | 13.35 |
| 11 | IPCW130W1B*U | 12.50 | 16.80 | 14.60 |
| 12 | IPCW130W1C*U | 13.75 | 18.05 | 15.85 |
| 13 | IPCW130W1D*U | 15.00 | 19.30 | 17.10 |
| 14 | IPCW130W1E*U | 16.25 | 20.55 | 18.35 |
| 15 | IPCW130W1F*U | 17.50 | 21.80 | 19.60 |

Wafer

Right Angle 02

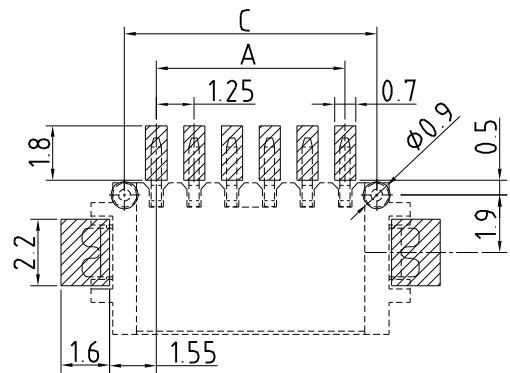
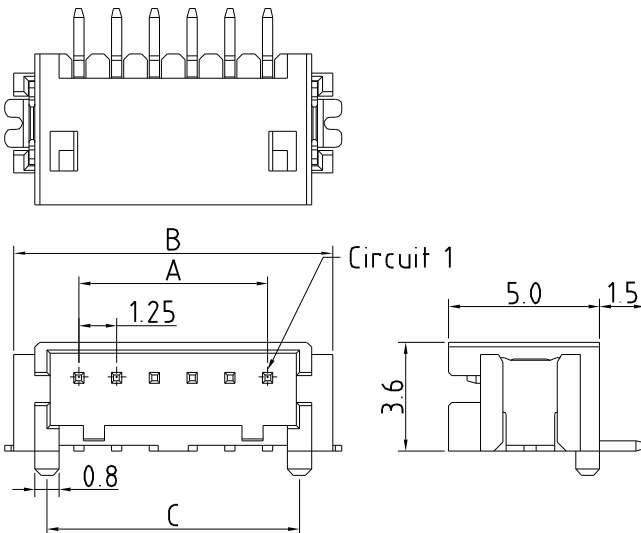
Features

Available Number of Circuits : 02 - 15

Material : High Temperature Thermoplastic 94V-0

Contact: 0.35mm(.014") Copper Alloy, Tin-plated

Mates with : IPCW130 Series Single Row Housing



P.C.B LAYOUT

Dimension and Order Information

| Circuits | Part No. | DIM.(mm) | | |
|----------|--------------|----------|-------|-------|
| | | A | B | C |
| 2 | IPCW130W12*T | 1.25 | 5.55 | 3.35 |
| 3 | IPCW130W13*T | 2.50 | 6.80 | 4.60 |
| 4 | IPCW130W14*T | 3.75 | 8.05 | 5.85 |
| 5 | IPCW130W15*T | 5.00 | 9.30 | 7.10 |
| 6 | IPCW130W16*T | 6.25 | 10.55 | 8.35 |
| 7 | IPCW130W17*T | 7.50 | 11.80 | 9.60 |
| 8 | IPCW130W18*T | 8.75 | 13.05 | 10.85 |
| 9 | IPCW130W19*T | 10.00 | 14.30 | 12.10 |
| 10 | IPCW130W1A*T | 11.25 | 15.55 | 13.35 |
| 11 | IPCW130W1B*T | 12.50 | 16.80 | 14.60 |
| 12 | IPCW130W1C*T | 13.75 | 18.05 | 15.85 |
| 13 | IPCW130W1D*T | 15.00 | 19.30 | 17.10 |
| 14 | IPCW130W1E*T | 16.25 | 20.55 | 18.35 |
| 15 | IPCW130W1F*T | 17.50 | 21.80 | 19.60 |

1.25mm Pitch Wire To Board Connector

Unit : mm

Wafer Vertical SMT Type

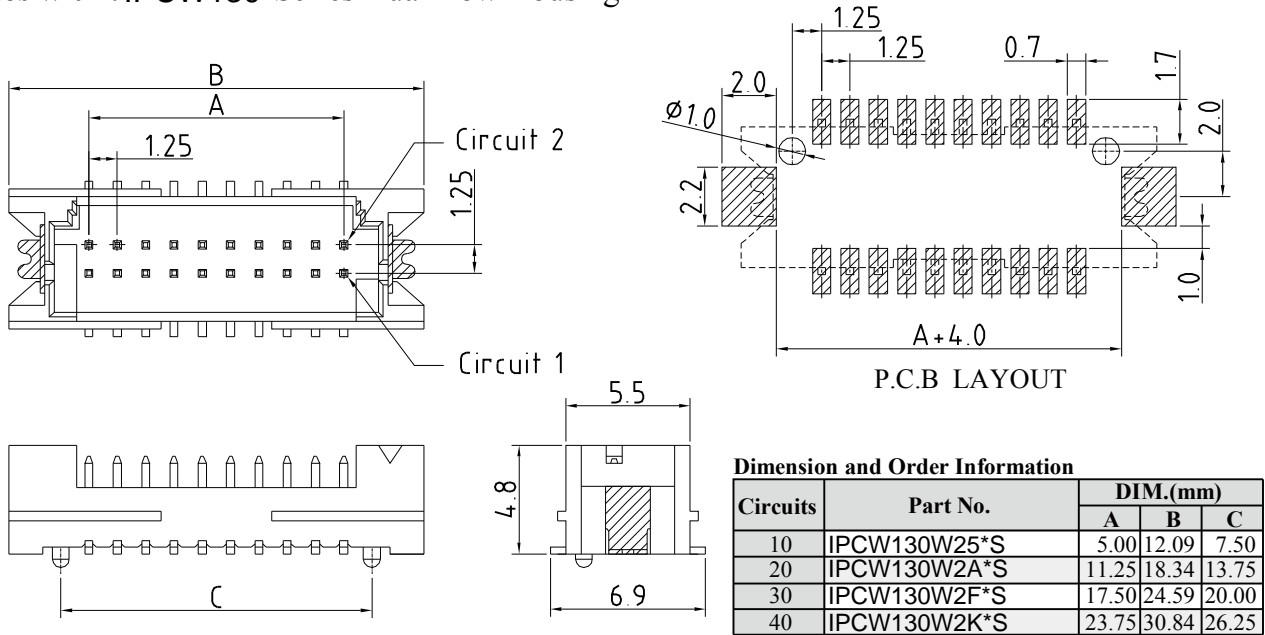
Features

Available Number of Circuits : 2x05 - 2x20

Material : High Temperature Thermoplastic 94V-0

Contact: 0.35mm(.014") Copper Alloy, Tin-plated

Mates with : IPCW130 Series Dual Row Housing



Wafer Vertical SK- Type

Features

Available Number of Circuits : 2x05 - 2x20

Material : High Temperature Thermoplastic 94V-0

Contact: 0.35mm(.014") Copper Alloy, Tin-plated

Mates with : IPCW130 Series Dual Row K Type Housing

