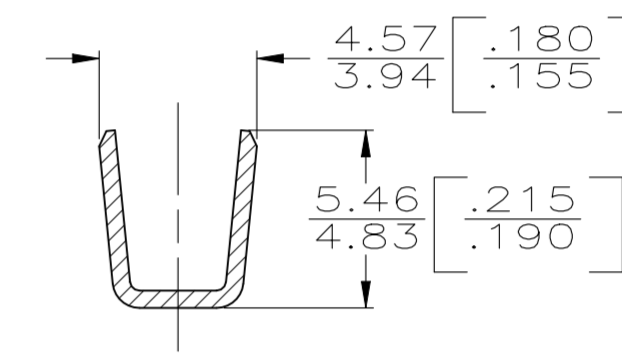
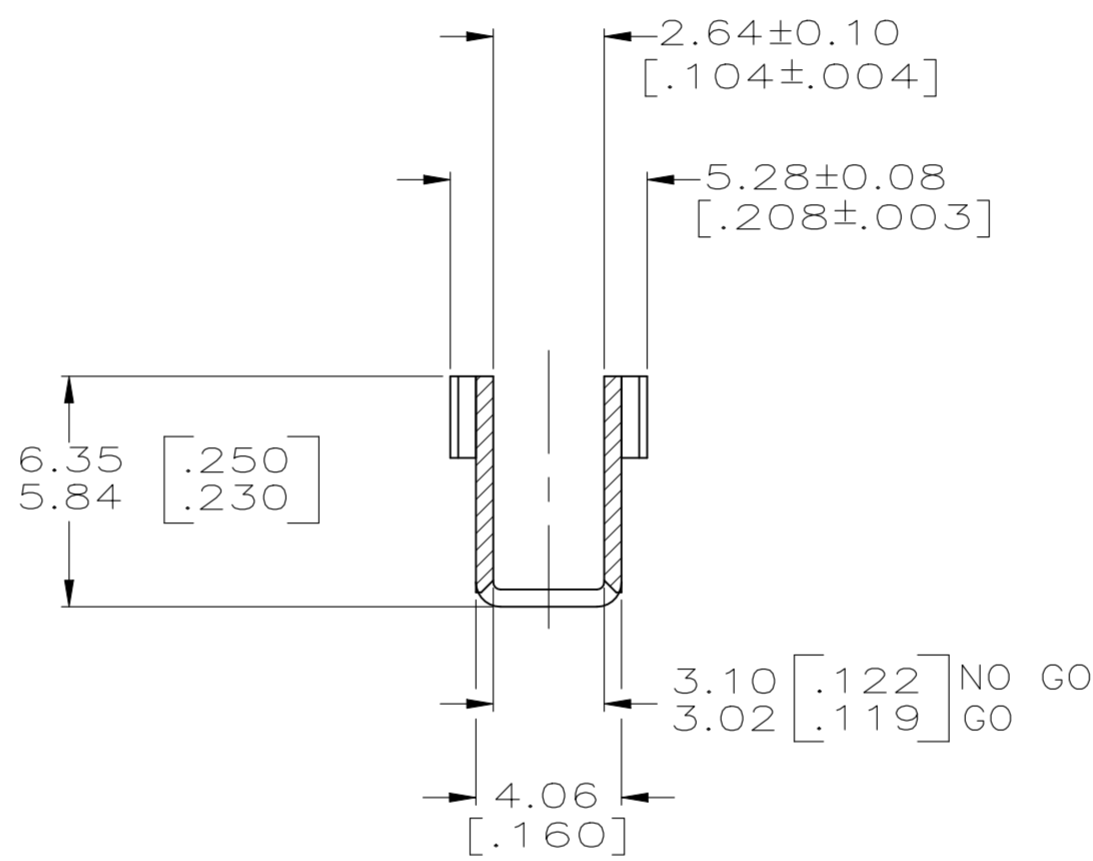
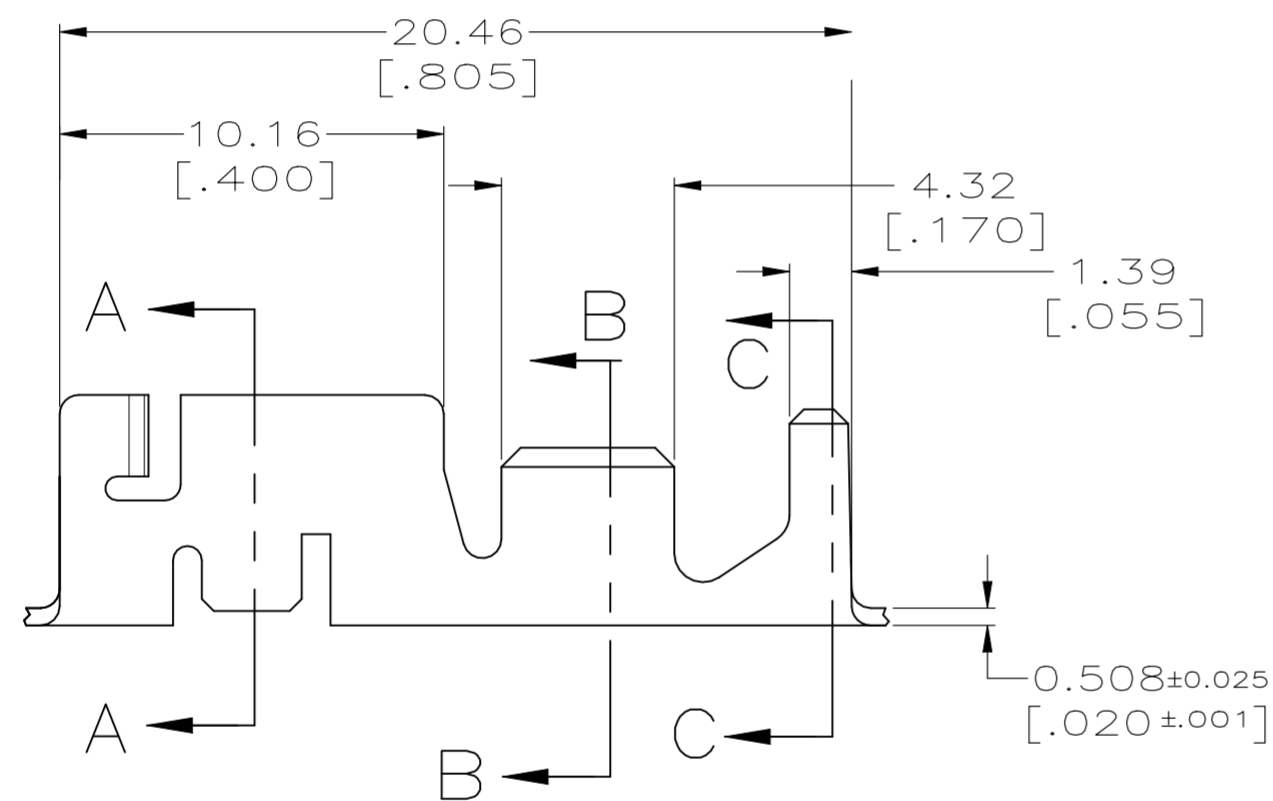
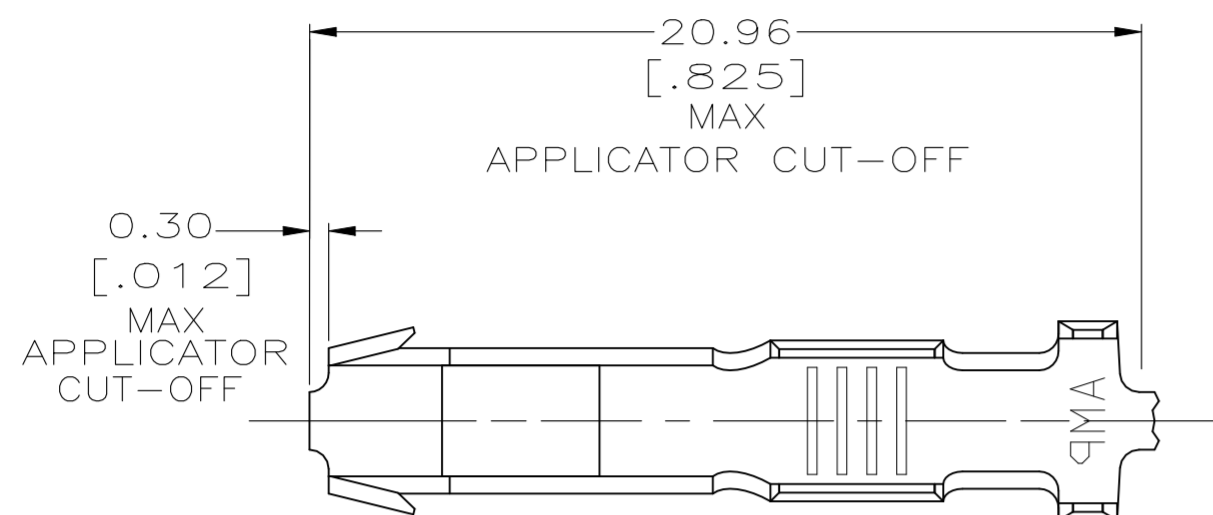
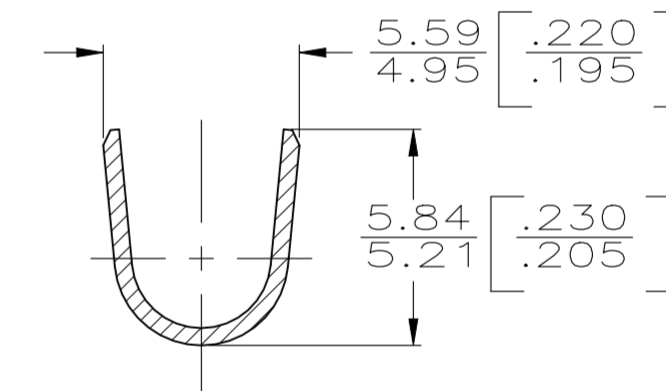


| REVISIONS | | | | | |
|-----------|-----|---------------------------|---------|-----|------|
| P | LTR | DESCRIPTION | DATE | DWN | APVD |
| G1 | | REVISED PER ECR-21-118303 | 27OCT21 | JJ | SE |

- 1 CONTINUOUS STRIP ON REELS WITH TERMINALS LOCATED ON 22.61[.890] CENTERS
- △2 PRODUCT SPEC DOES NOT APPLY TO PART NUMBER 1217175-4.
- △3 PART NUMBER 1217175-5 IS NOT QUALIFIED TO THE PRODUCT SPECIFICATION.
- 4 WIRE RANGE: 2.0 - 5.0 mm² [#14-#10 AWG].
- 5 INSULATION RANGE: 4.32[.170] MAX DIAMETER.
- △6 PRELIMINARY - NOT FOR PRODUCTION.



SECTION B-B



SECTION C-C

| | | | | | | |
|--------------------|----------------|----------------------------------|------|----------------|---------------|-------------------------|
| F OR O | 4.57 [.180] | 6.22 [.245] | F | 3.56 [.140] | 2.97 [11] | 5.0mm ² [10] |
| | | | | | 2.54 [100] | 3.0mm ² [12] |
| TYPE | WIDTH | STRIP LENGTH ±0.38 [±.015] | TYPE | WIDTH | ±0.05 [±.002] | WIRE |
| | | | | | HEIGHT | |
| INSUL BARREL CRIMP | | WIRE BARREL CRIMP | | | | |

| | | |
|----------|----------------------|-----------------|
| UNPLATED | H03 TIN-BRASS | △6 △3 1217175-5 |
| POST TIN | H02 CU-FE, C19500 | △6 △2 1217175-4 |
| POST TIN | H03 TIN-BRASS | 1217175-1 |
| FINISH | MATERIAL | PART NUMBER |

THIS DRAWING IS A CONTROLLED DOCUMENT.

| | | | |
|----------------------------|---|--------------------------------------|---|
| DIMENSIONS: mm [INCHES] | TOLERANCES UNLESS OTHERWISE SPECIFIED: | DWN MICHAEL S. FEHER 06JUL1999 | TE Connectivity |
| | 0 PLC ± - 1 PLC ± - 2 PLC ± 0.25 [.010] 3 PLC ± - 4 PLC ± - ANGLES ± - | CHK PETE DESANTIS 07JUL1999 | |
| MATERIAL SEE TABLE | FINISH SEE TABLE | APVD PETE DESANTIS 07JUL1999 | NAME RECEPTACLE, CLUSTER PIN, 3.18 [.125] DIA |
| CUSTOMER DRAWING | | PRODUCT SPEC 108-2008 △3 | SIZE A2 |
| | | APPLICATION SPEC 114-2019 | CAGE CODE 00779 |
| | | WEIGHT 0.000000 | DRAWING NO C=1217175 |
| | | SCALE 5:1 | SHEET 1 OF 1 |
| | | REV G1 | |