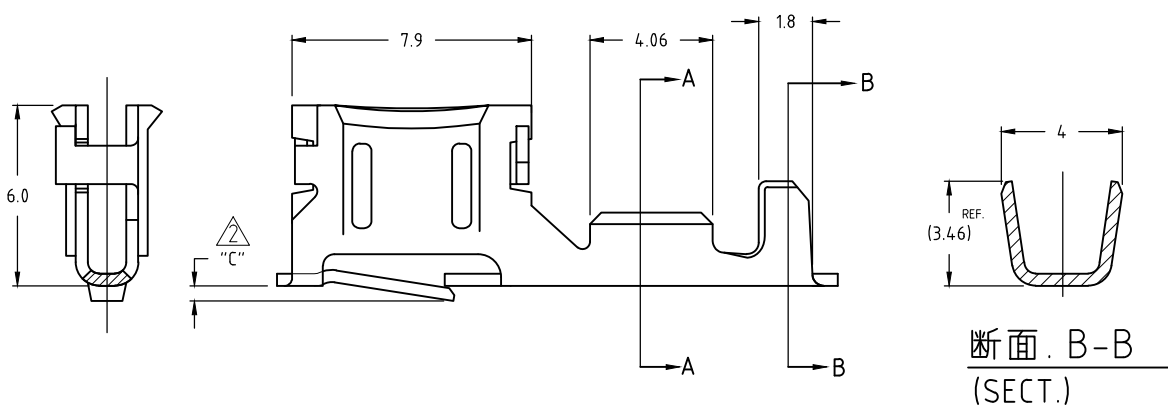
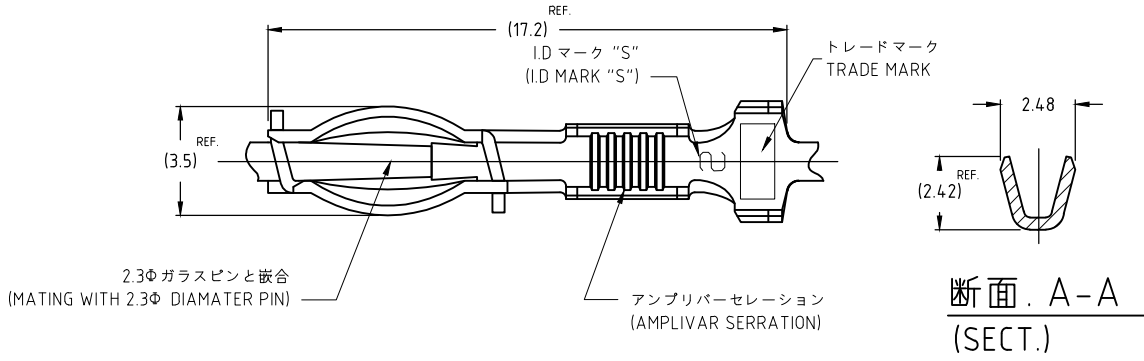


| REVISIONS | | | | | |
|-----------|-----|------------------------------------|-----------|-----|------|
| P | LTR | DESCRIPTION | DATE | DWN | APVD |
| | B2 | CORRECTED BARREL HEIGHT DIMENSIONS | 13MAY2020 | MB | TD |



注：
 1. 適用ハウジング □-171370-□
 △ランス高さ

| | 圧着前 | 圧着後 |
|--------|--------|---------|
| 寸法 "C" | 0.7MAX | 0.7~1.6 |

NOTES;
 1. APPLICABLE HSG □-171370-□
 △ LANCE HEIGHT

| | BEFORE CRIMPING | AFTER CRIMPING |
|---------------|-----------------|----------------|
| DIMENSION "C" | 0.7MAX | 0.7~1.6 |

| | | |
|--|--------------------------|-----------|
| 0.113~0.730mm ² (AWG #26~#16) | 0.9~2.0mm | 1123655-1 |
| (WIRE RANGE) 抱合電線断面積 | (INSULATION DIA) 被覆外径 | 型番 (P/N) |

TE Connectivity. All Rights Reserved.

| | | | | |
|--|--|----------------------------|--------------------------------|------------------------|
| DIMENSIONS: mm | DWN J.SATO | 23MAY2007 | MATERIAL (PHOS-BRO) | FINISH (TIN PLATED) |
| | CHK S.MANABE | 25MAY2007 | TE Connectivity | |
| TOLERANCES UNLESS OTHERWISE SPECIFIED: | APVD S.MANABE | 25MAY2007 | | |
| | 0 PLC 10 ≥ ± 0.2 1 PLC >10 ± 0.25 2 PLC ± 3 PLC ± 4 PLC ± ANGLES ± 3DEG | PRODUCT SPEC 108-5574-1 | APPLICATION SPEC 114-5242-1 | SIZE A4 |
| | WEIGHT 0.000000 | DRAWING NO C-1123655 | | RESTRICTED TO - |
| | CUSTOMER DRAWING | SCALE 4:1 | SHEET 1 OF 1 | REV B2 |