

LOC		DIST		REVISIONS				
P	LTR	DESCRIPTION		DATE	DWN	APVD		
	A	RELEASED		03.JUN'09	YC	HG		
	B	REVISED (ECR-09-022610)		26.OCT'09	IS	HG		

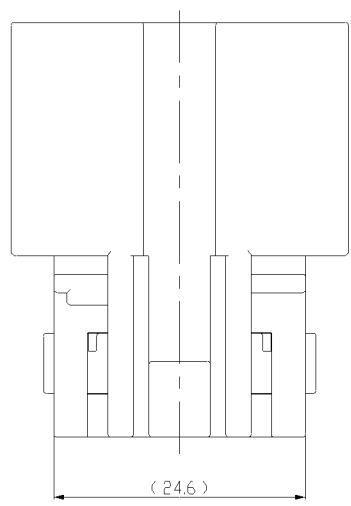
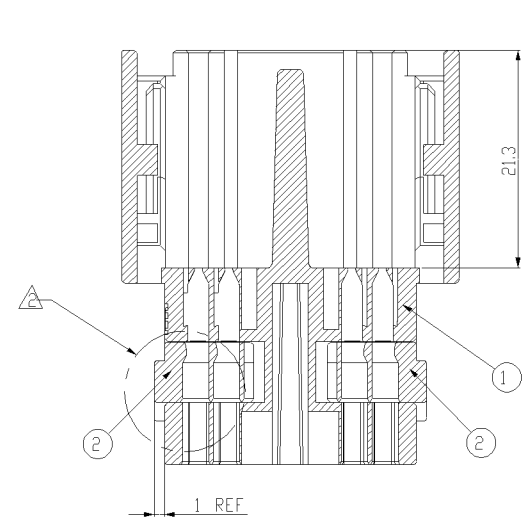
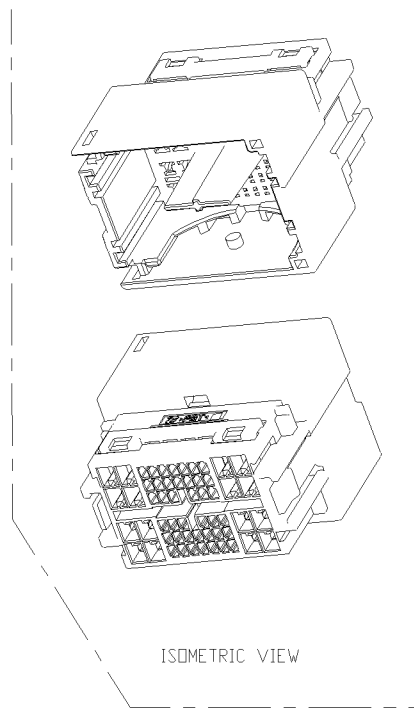
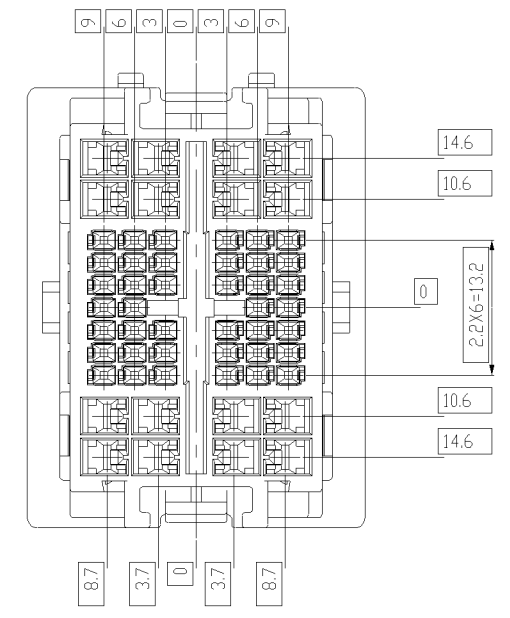
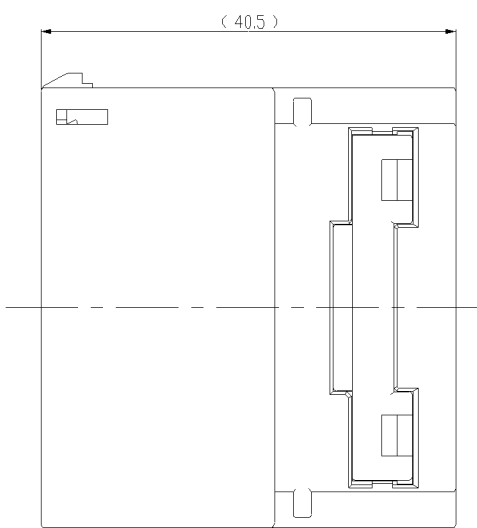
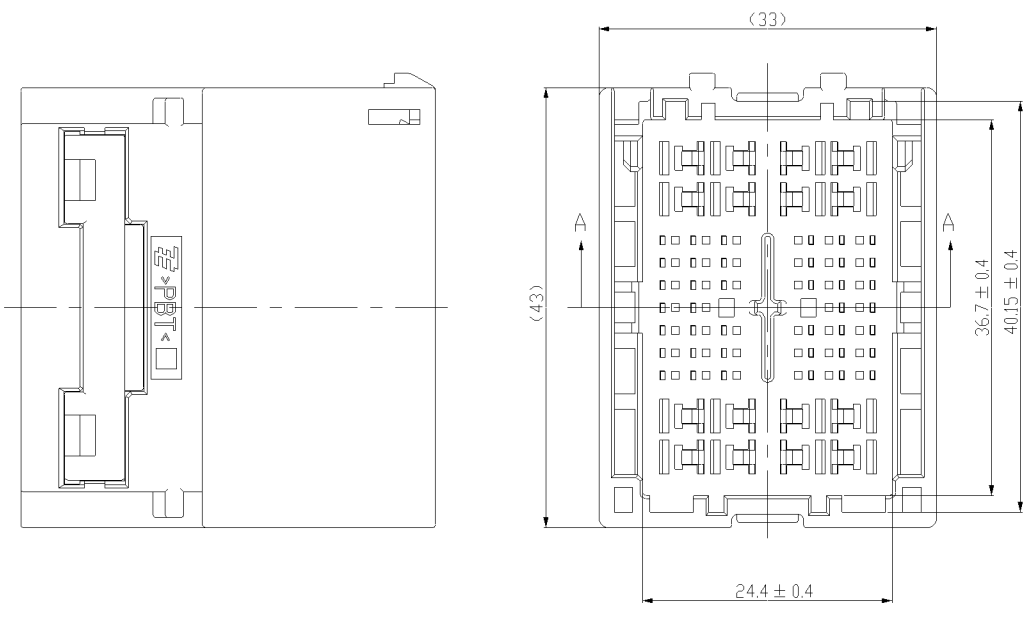


TABLE 1 (FOR 1-1897551-1)

TYPE	FINISH	P/N	WIRE NOMINAL SIZE(SØ)
.025	PRE-TIN	2005098-1	0.22
	PRE-TIN	2005154-1	0.3-0.5
.090	PRE-TIN	1897752-1	0.22~0.5
		368088-1	0.3 ~ 0.5
		368087-1	0.85 ~ 1.25
		368086-1	2.0 ~ 2.5

TABLE 1 (FOR 0-1897551-1)

TYPE	FINISH	P/N	WIRE NOMINAL SIZE(SØ)
.025	PRE-TIN	1376109-1	0.22-0.5
	GOLD	1376109-2	
.090	PRE-TIN	1897752-1	0.22-0.5
		368088-1	0.3 ~ 0.5
		368087-1	0.85 ~ 1.25
		368086-1	2.0 ~ 2.5

- NOTES
 1. GENERAL TOLERANCE IS ±0.3, 3'
 2. CONDITION OF DELIVERY :
 DBL IN 1ST LOCKING POSITION
 3. APPLIED PLUG ASS'Y P/N : 1897550-1
 4. APPLIED TAB CONTACT P/N : TABLE 1

OBSELETE

NO.	COLOR	MATERIAL	DESCRIPTION	Q'TY
2	WHITE	PBT	DBL HSG	2
1	WHITE	PBT	CAP HSG	1

THIS DRAWING IS A CONTROLLED DOCUMENT FOR TYCO ELECTRONICS CORPORATION. IT IS SUBJECT TO CHANGE AND THE CONTROLLING ENGINEERING ORGANIZATION SHOULD BE CONTACTED FOR THE LATEST REVISION.

DIMENSIONS: mm

TOLERANCES UNLESS OTHERWISE SPECIFIED:
 0 PLC ±
 1 PLC ±
 2 PLC ±
 3 PLC ±
 4 PLC ±
 ANGLES ±
 FINISH

MATERIAL: SEE TABLE

Customer Drawing

DWN: IS WOO
 CHK: JW JUNG
 APVD: HG CHO
 PRODUCT SPEC: -
 APPLICATION SPEC: -
 WEIGHT: -

Tyco Electronics
 Kyungsan, Korea

NAME: 025/090 HYB 56P CAP ASS'Y(LIF)

SIZE: A2 CAGE CODE: 00779 DRAWING NO: C=1897551 RESTRICTED TO: -

SCALE: 2:1 SHEET: 1 OF 1 REV: B