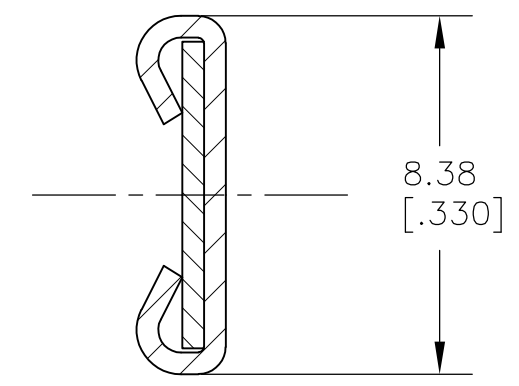
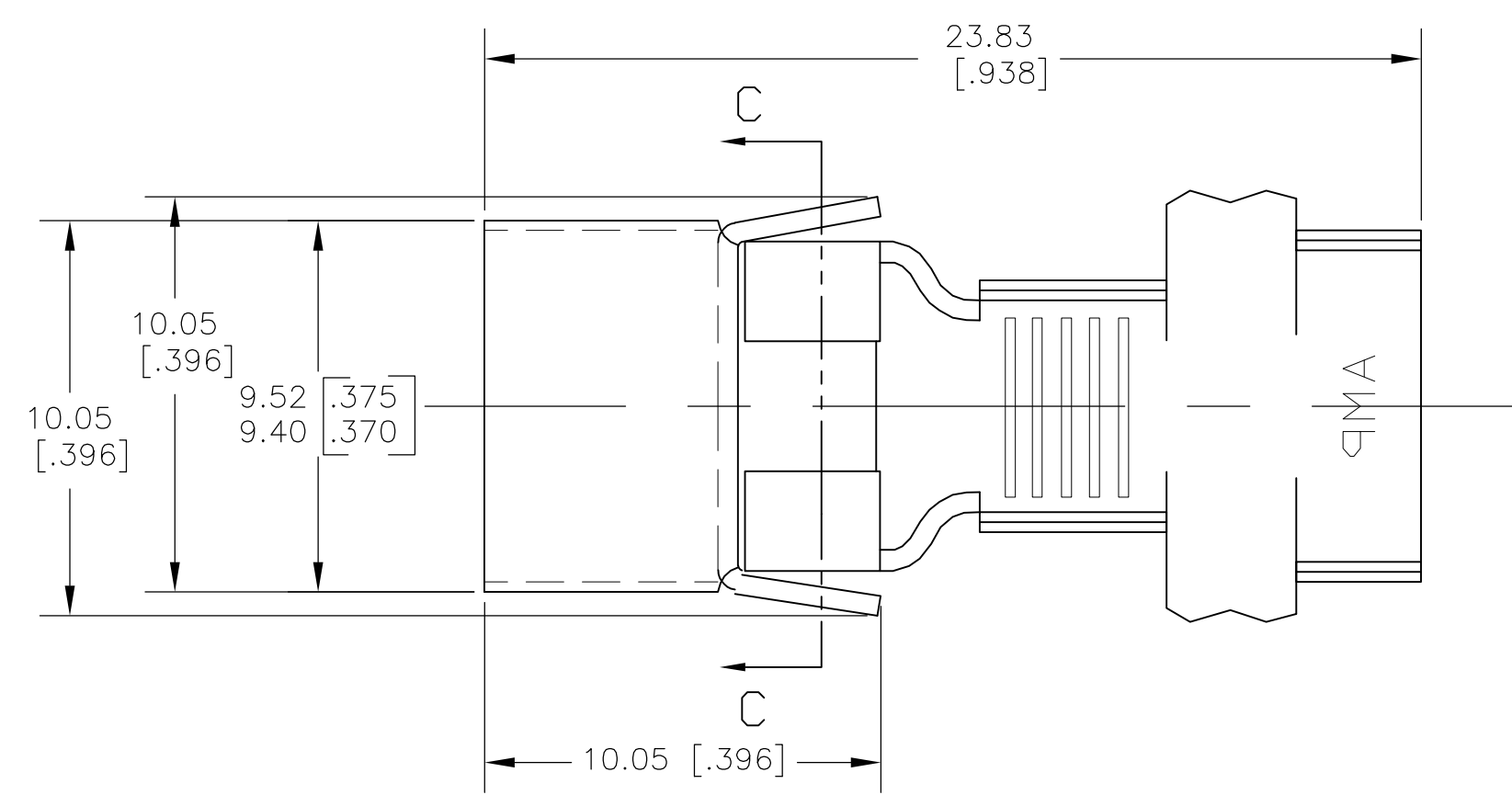
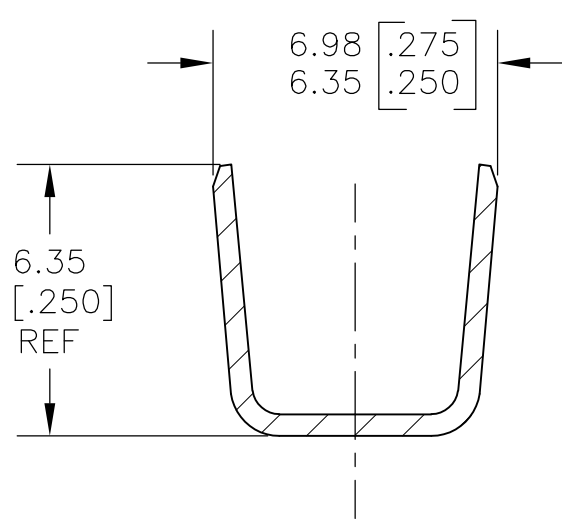
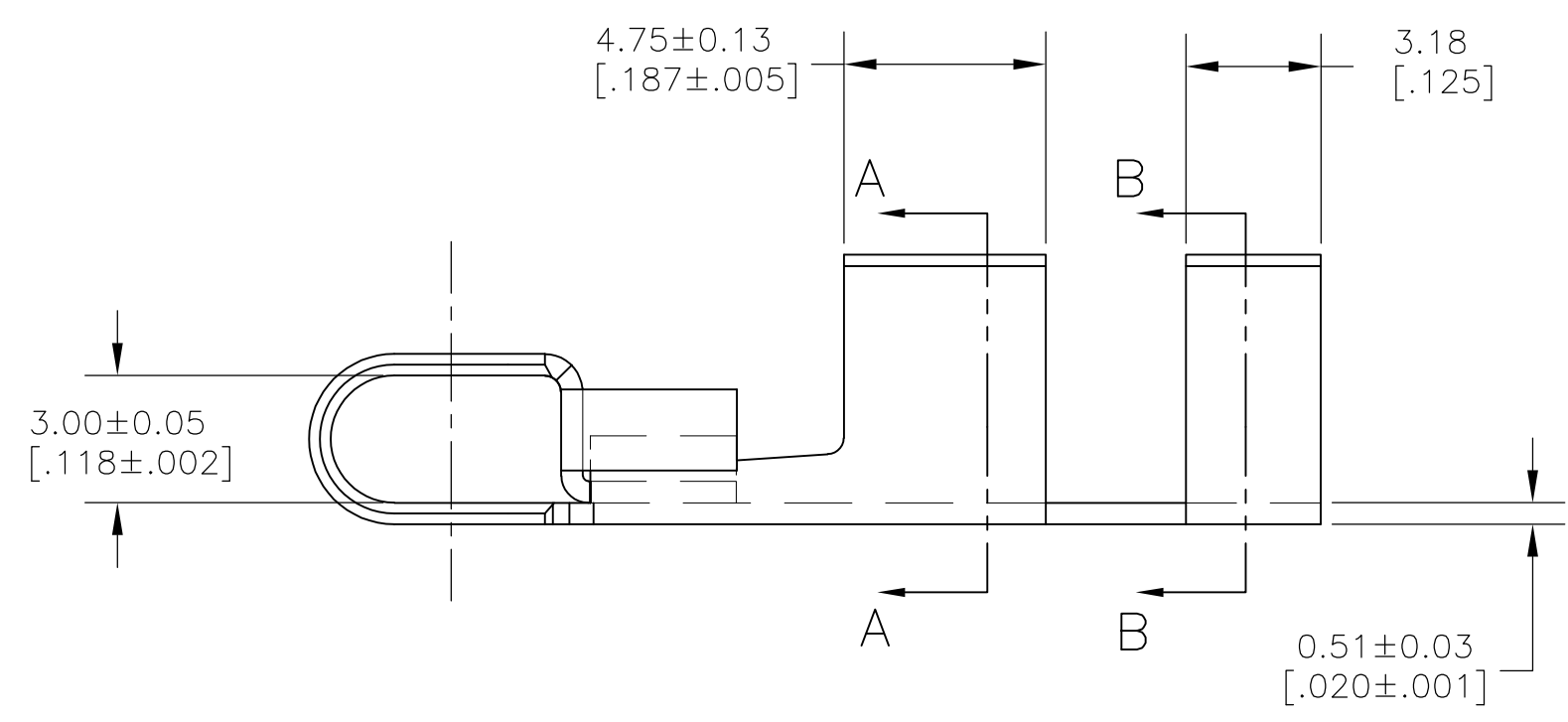


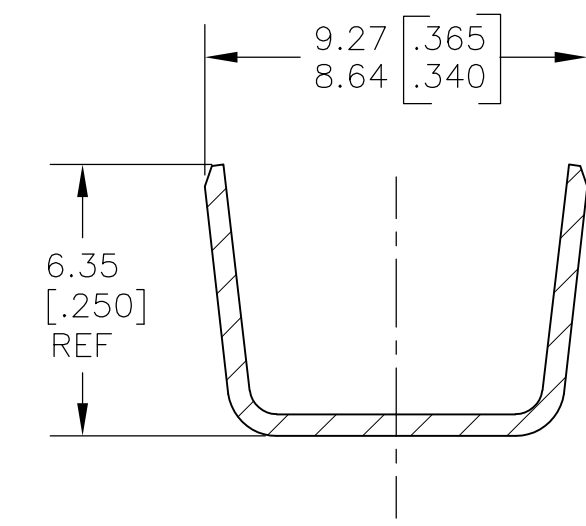
LOC	DIST	REVISIONS			
P	LTR	DESCRIPTION	DATE	OWN	APVD
AF	50	D6	REVISED PER ECR-13-014537	15NOV2013	KH GJ



SECTION C-C



SECTION A-A



SECTION B-B

- 1 PRODUCT PROVIDED ON 19.56 [.770] CENTERS, IN STRIP FORM ON REELS. BREAKS MAY BE PRESENT.
- 2 WIRE SIZES [#14-#8 AWG] 2.08mm²-8.35mm², STRANDED.
- 3 INSULATION RANGE 1.90-4.32 [.075-.170] DIA
- △ 4 EXTENDED QUANTITY PACKAGING
- △ 5 PRELIMINARY - NOT FOR PRODUCTION.

△ 4	POST TIN	H02 CuFeP ALLOY	1-1742539-3
STANDARD	POST TIN	TMOS CuNiSi ALLOY	△ 5 1742539-4
STANDARD	POST TIN	H02 CuFeP ALLOY	1742539-3
SUPERSEDED BY 1742539-3	PRE-TIN	H02 CuFe ALLOY	1742539-2
OBSOLETE	POST TIN	H03 CuSnZn ALLOY	1742539-1
	Packaging	Finish	Material
			Part Number

THIS DRAWING IS A CONTROLLED DOCUMENT.

DWN jr ruth 01FEB07	TE Connectivity RECEPTACLE, CLUSTER PIN, .125 DIA
CHK GARY PORTA 01FEB07	
APVD GARY PORTA 01FEB07	
NAME	
DIMENSIONS: MM[INCHES]	PRODUCT SPEC 108-2388
TOLERANCES UNLESS OTHERWISE SPECIFIED: 0 PLC ± - 1 PLC ± - 2 PLC ± 0.25 [.010] 3 PLC ± - 4 PLC ± - ± 1'	APPLICATION SPEC 114-13244
MATERIAL SEE TABLE	FINISH SEE TABLE
CUSTOMER DRAWING	
SIZE A2	CAGE CODE 00779
DRAWING NO 1742539	RESTRICTED TO
SCALE 6:1	SHEET 1 of 1
REV D6	