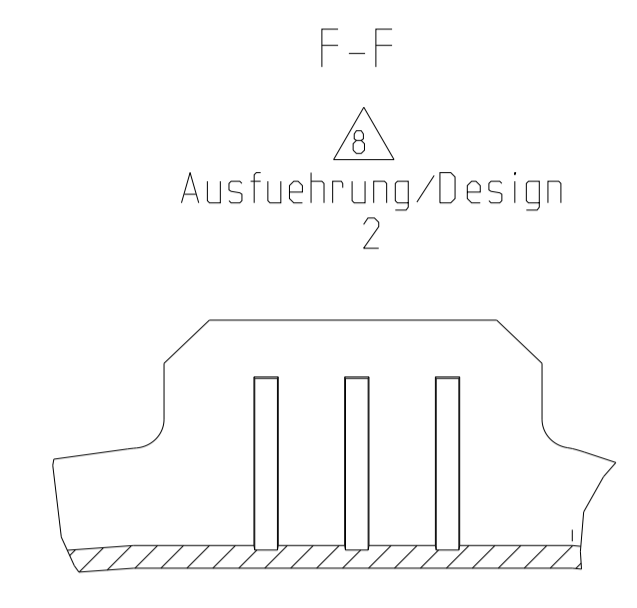
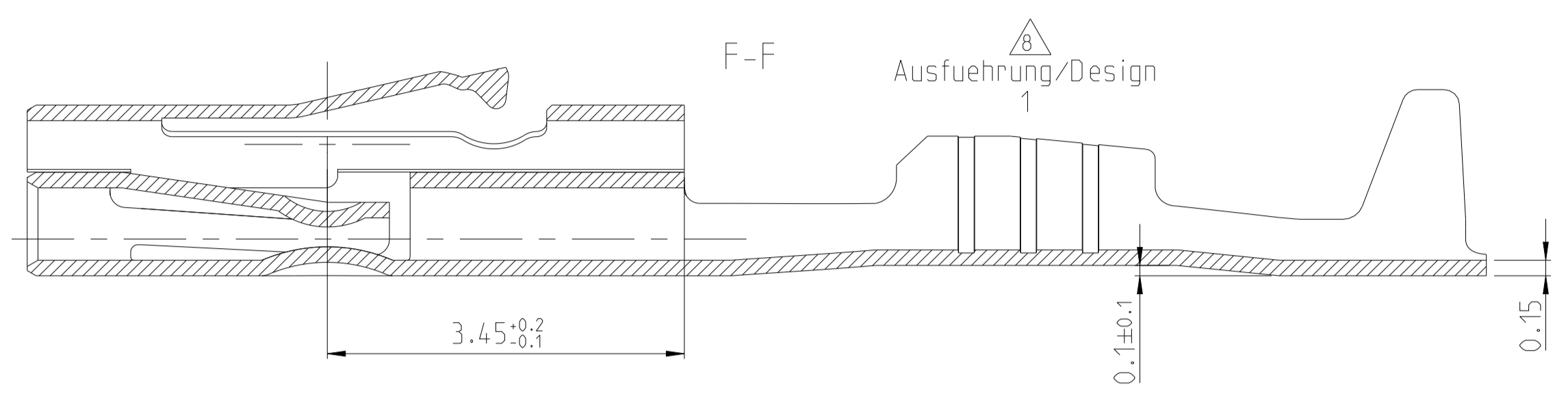
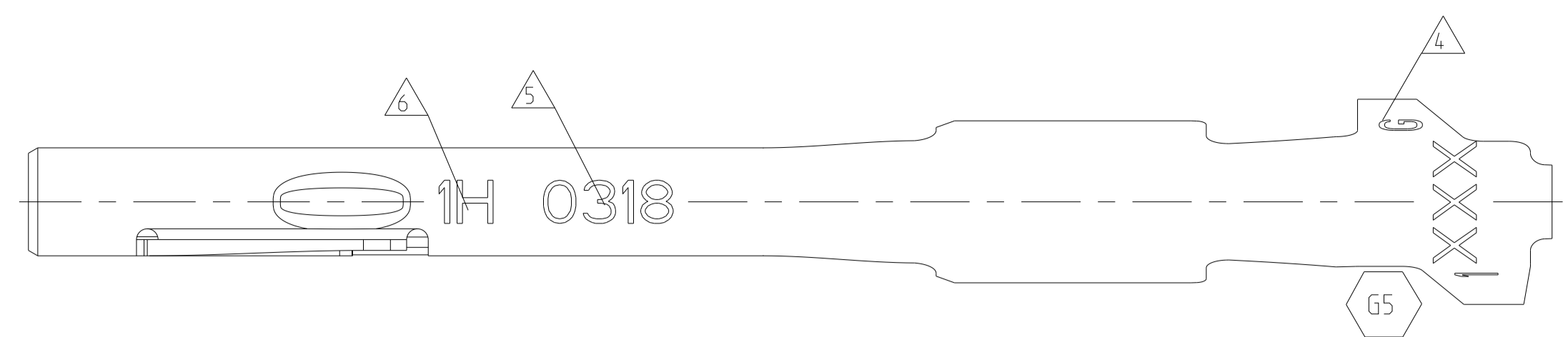
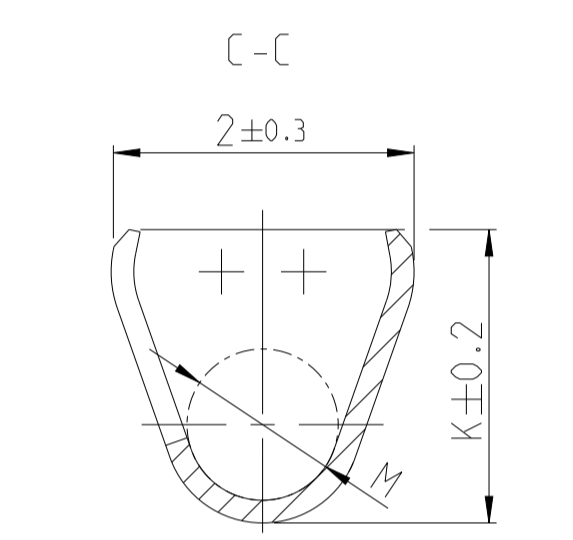
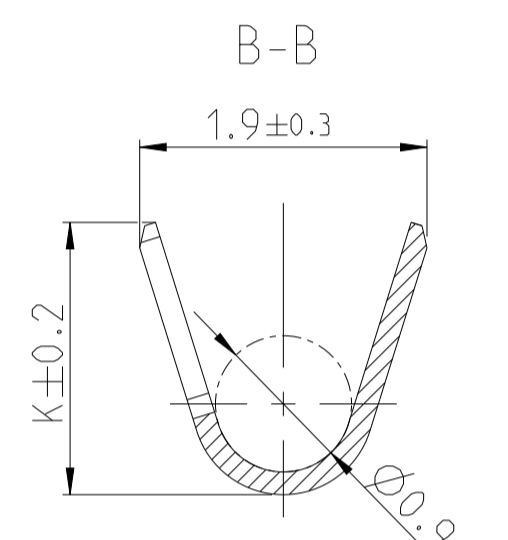
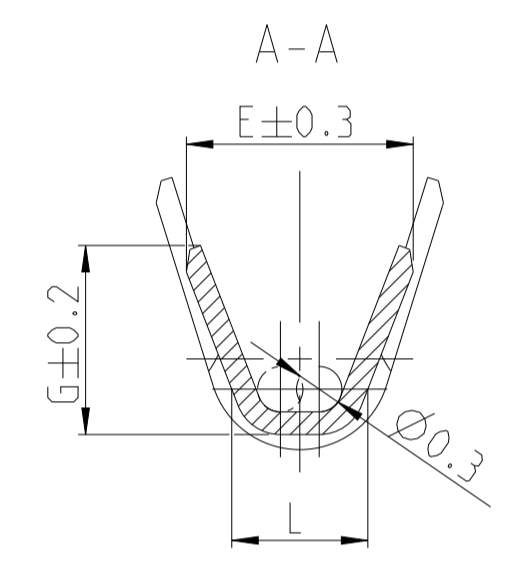
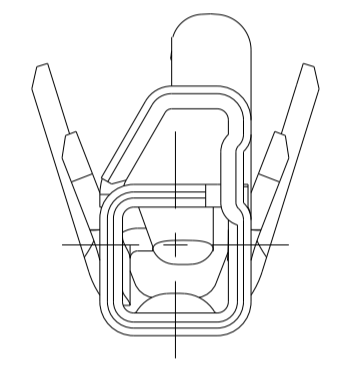
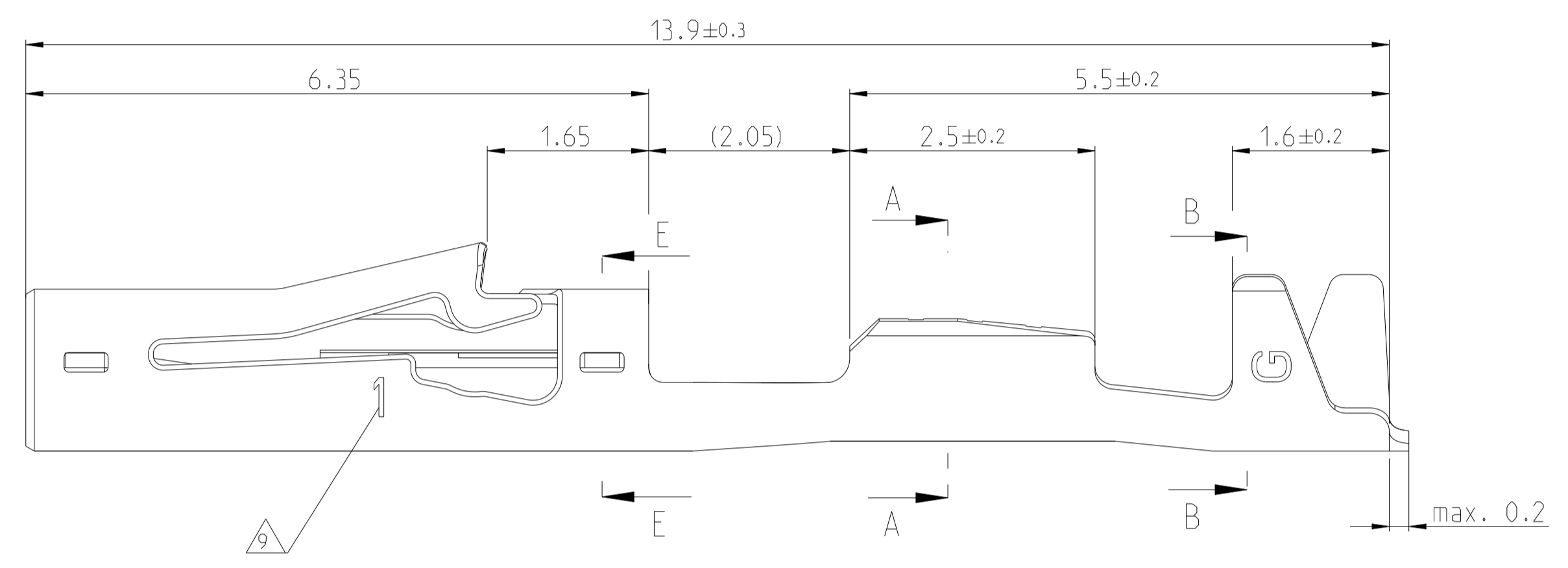
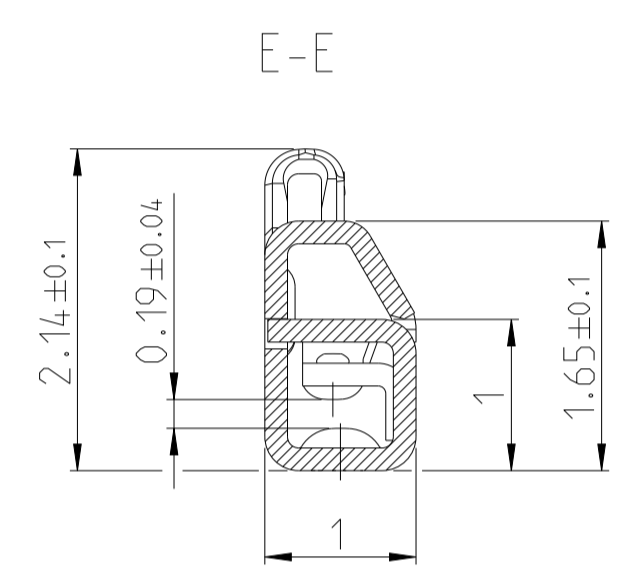


LOC	DIST	REV.	DATE	BY	CHK
A1	-	G2	04DEC2018	GLUE	LEIM
		G3	09JAN2019	MAH.	LEIM
		G4	03JUL2019	BREN	LEIM
		G5	07APR2021	FRAN	LEIM



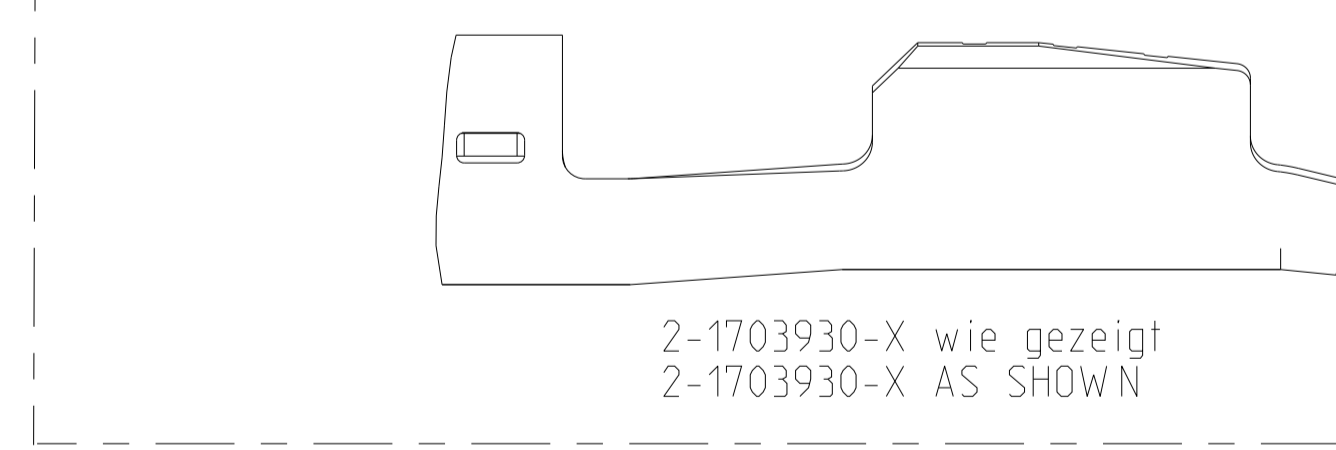
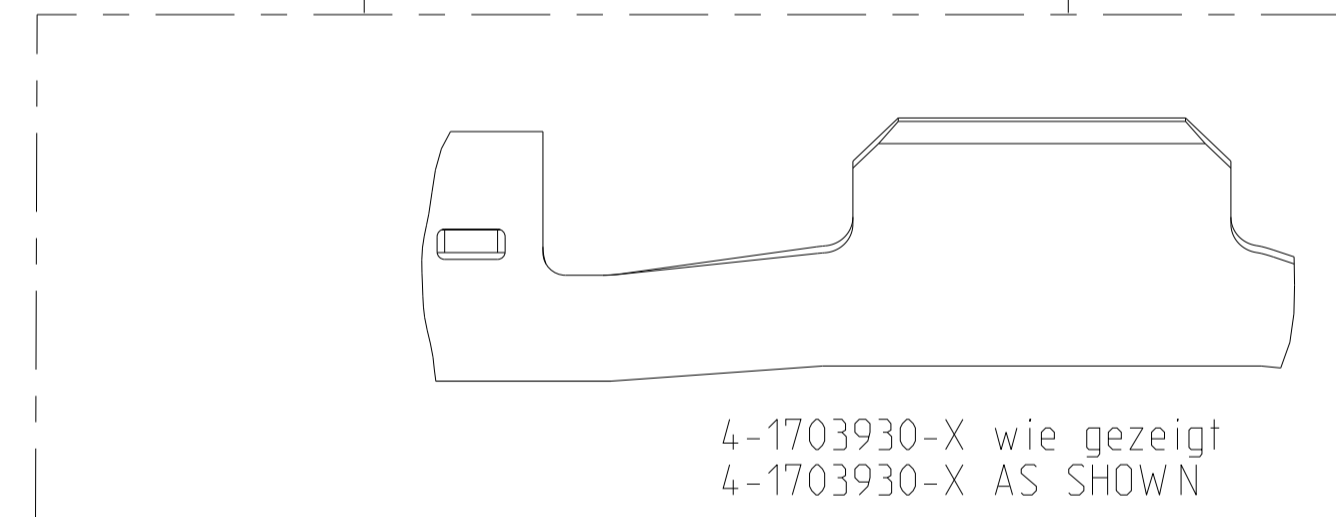
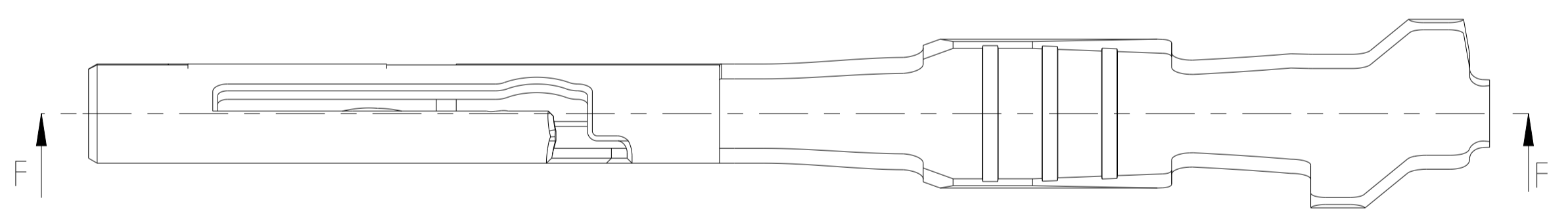
- Bemerkungen
NOTES
- 1 Massgebend ist der deutsche Text ONLY THE GERMAN LANGUAGE VERSION SHALL BE BINDING
 - 2 Einzelheiten der Ausführung bleiben dem Hersteller uebertlassen DETAILS OF DESIGN ARE LEFT TO MANUFACTURER
 - 3 Passend zu Kontaktstift: TE 114-94201 SUITABLE TO CONTACT-PIN.
 - 4 TE-Logo, Aenderungsstand TE-LOGO, REVISION STATUS
 - 5 Datumscode (Woche/Jahr) DATE-CODE (WEEK/YEAR)
 - 6 Variantenmarkierung VERSION MARKING
 - 7 Oberflaeche Kontaktbereich SURFACE CONTACT AREA
Sn = 0.8 ... 2.2 µm
Ag = 1.6 ... 5 µm
Au = min. 0.8 µm
 - 8 Rillenausfuehrung SERRATION DESIGN
 - 9 Spurenuordnung in Zweispurwerkzeugen TRACK ALLOCATION IN TWO TRACK DIES



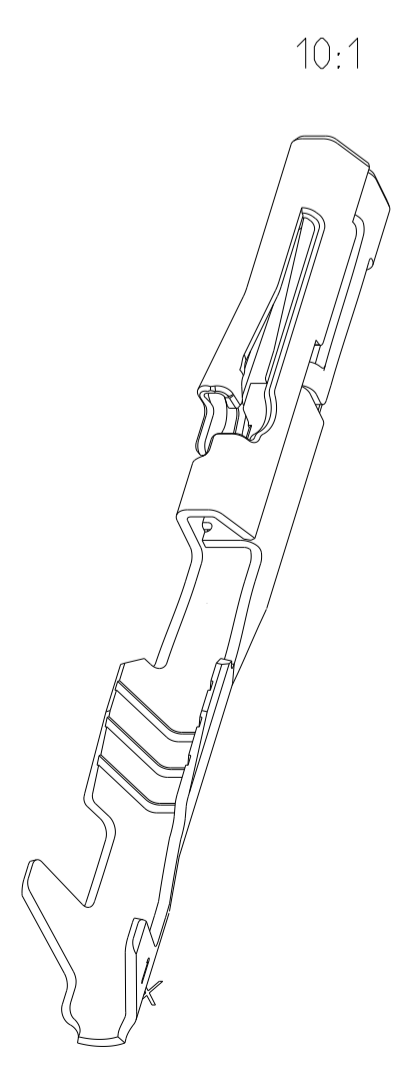
1-1703930-x und 2-1703930-x wie gezeigt
1-1703930-x AND 2-1703930-x AS SHOWN

4-1703930-x wie gezeigt
4-1703930-x AS SHOWN

1-1703930-X wie gezeigt
1-1703930-X AS SHOWN



Order No.	Design	Part No.	Version	Performance	Wire Size	Material	Surface	Weight	Dimensions	Notes
-	-	4-1703930-4	A	HIGH PERFORMANCE	4+	CuNiSi	Sn		E = 1.6 G = 1.64 L = 0.85 M = Ø1	K = 1.93
-	-	4-1703930-3	B	HIGH PERFORMANCE	4G	CuNiSi	Au			
-	-	4-1703930-2	A	HIGH PERFORMANCE	4H	CuNiSi	Ag			
2-1703930-4	A	-	-	HIGH PERFORMANCE	2+	CuNiSi	Sn			
2-1703930-3	A	-	-	HIGH PERFORMANCE	2G	CuNiSi	Au	0.08	E = 1.7 G = 1.5 L = 1.05	K = 1.9
2-1703930-2	G	-	-	HIGH PERFORMANCE	2H	CuNiSi	Ag			
2-1703930-1	F	-	-	Standard	2	CuSn8	Sn			
1-1703930-2	F	-	-	HIGH PERFORMANCE	1H	CuNiSi	Ag		E = 1.5 G = 1.25 L = 0.9	K = 1.8
1-1703930-1	E	-	-	Standard	1	CuSn8	Sn			



Order No.	Design	Part No.	Version	Marking	Wire Size Range	Material	Surface	Weight	Dimensions
Bestell-Nr. Ausführung	REV.	Bestell-Nr. Ausführung	REV.	VERSION	DGB WIRE SIZE RANGE (mm ²)	Material	OBERFLAECHE SURFACE	Gewicht WEIGHT [g]	Abmessungen/DIMENSION [mm]

THIS DRAWING IS A CONTROLLED DOCUMENT. DIESES ZEICHNUNGSDOKUMENT IST EIN KONTROLLIERTES DOKUMENT. APPROVED FOR RELEASE TO THE PUBLIC BY THE MANUFACTURER. FÜR DEN VERKEHR ERHÄLTEN. DATE: 04SEP2007. CHK: C. Baemmel. APVD: J. Jetter. PRODUCT SPEC: 108-94099. APPLICATION SPEC: 114-10858. WEIGHT: -. SCALE: 20:1. SHEET: 1 OF 1. REV: G5.

TE Connectivity
NANOQS Buchsenkontakt SOCKET CONTACT
A1 00779 ©-1703930
Customer Drawing /KUNDENZEICHNUNG