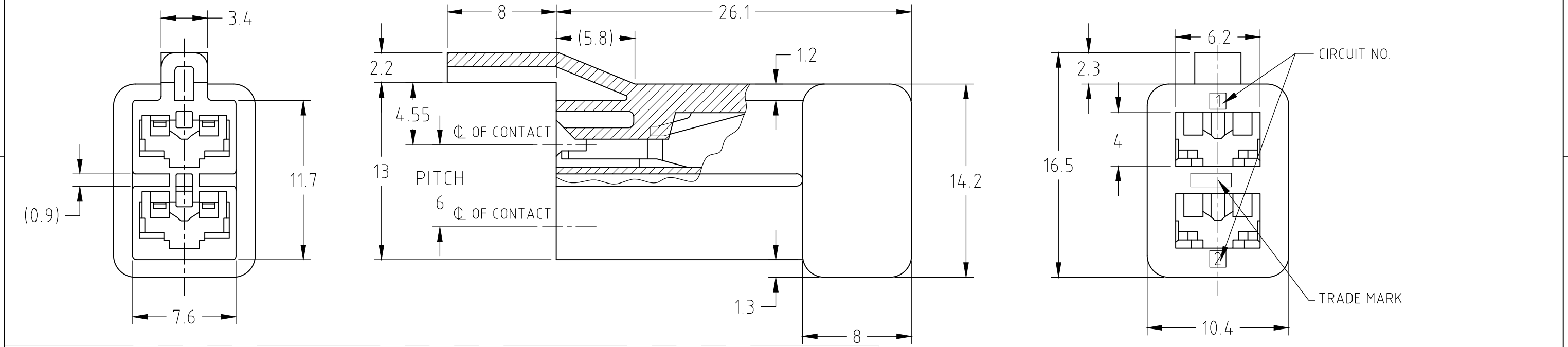
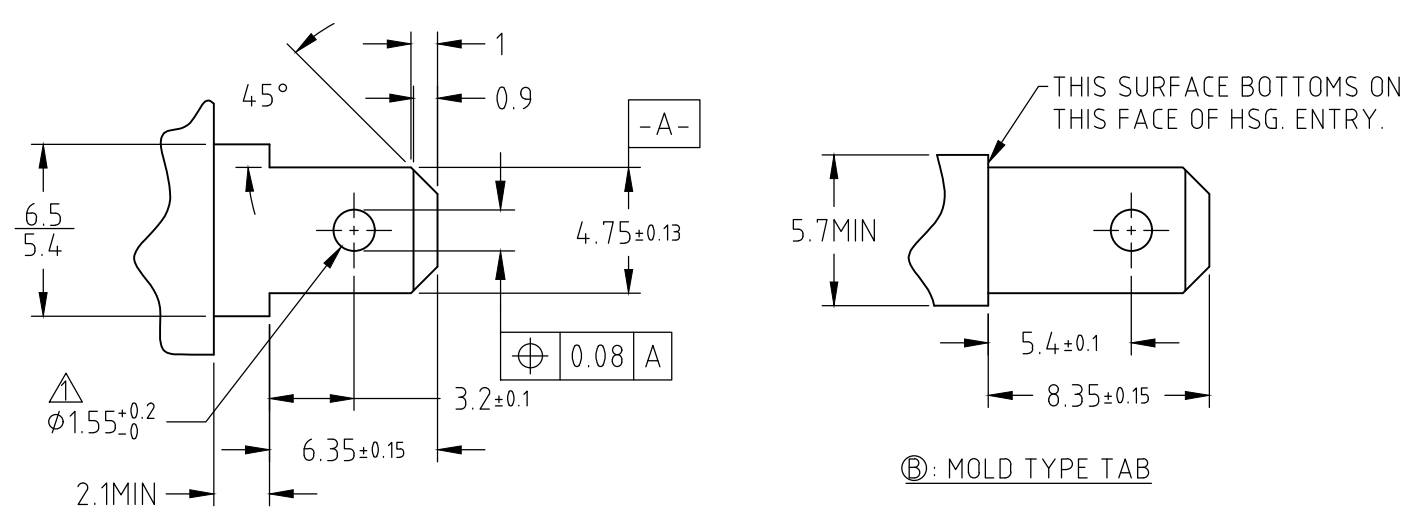


THIS DRAWING IS UNPUBLISHED. RELEASED FOR PUBLICATION  
 © COPYRIGHT - By - ALL RIGHTS RESERVED.

LOC	DIST	REVISIONS					
J	-	P	LTR	DESCRIPTION	DATE	DWN	APVD
			A3	REVISED PER ECR-19-018072	29NOV2019	SS	TD



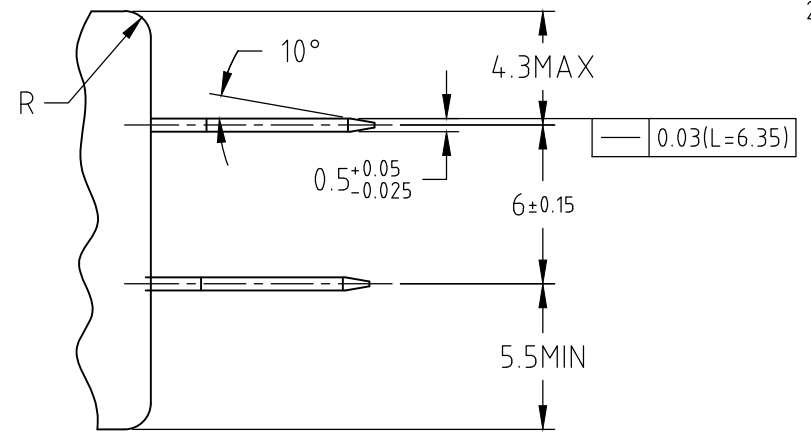
RECOMMENDABLE DIMENSIONS OF 2POS TAB ±0.2, ±2° GENERAL TOLERANCE



- NOTES
- APPLICABLE CONTACT P/N: 170324-X, 170325-X, 170326-X
  - THIS CONNECTOR APPLIED FOR 2POS TAB. (SEE DETAIL)
  - MATERIAL: 6/6NYLON (UL94V-2)
  - MATERIAL: 6/6NYLON (UL94V-0)
  - MATERIAL: 6/6NYLON GLASS FILLED (UL94V-0)
  - OBSOLETE PARTS: OBSOLETE CIS STREAMLINING PER D.RENAUD/D.SINISI
  - OBSOLETE PARTS

7	OBSOLETE	5	GREEN	2-1318920-3	
7	OBSOLETE	5	YELLOW	2-1318920-2	
6	OBSOLETE	4	NATURAL	2-1318920-1	
		4	RED	1-1318920-5	
		4	BLUE	1-1318920-4	
		4	GREEN	1-1318920-3	
7	OBSOLETE	4	YELLOW	1-1318920-2	
		4	NATURAL	1-1318920-1	
		3	YELLOW	1318920-2	
		3	NATURAL	1318920-1	
			MATERIAL	COLOR	P/N

- NOTES
- NO BURRS ARE ALLOWED ON THE TAB HOLE EDGES, AND THE SHEAR DROOP SHALL NOT EXCEED 0.08mm.
  - FOR THE DIMENSION NOT SHOWN IN TYPE B TAB DWG. APPLY THE COMMON DIMENSION SHOWN IN TYPE A TAB DWG.



THIS DRAWING IS A CONTROLLED DOCUMENT.

DWN	J.SATO	26MAR2008	TE Connectivity				
CHK	S.MANABE	29NOV2019					
APVD	S.MANABE	28MAR2008					
PRODUCT SPEC	108-5126						
APPLICATION SPEC	187 SERIES 2POS POSITIVE LOCK MARK-II REC HSG WITH GUIDE (WITH R TYPE)		NAME				
MATERIAL	SEE TABLE	FINISH	SIZE	CAGE CODE	DRAWING NO	RESTRICTED TO	
			A3	00779	C-1318920	-	
			CUSTOMER DRAWING		SCALE	SHEET	REV
			NONE		1 OF 1	A3	