

Schottky Barrier Rectifier

DSSK28-01AS

FEATURES

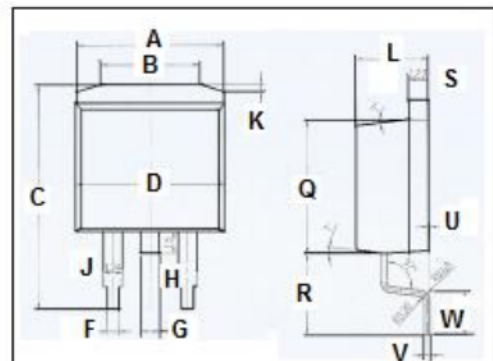
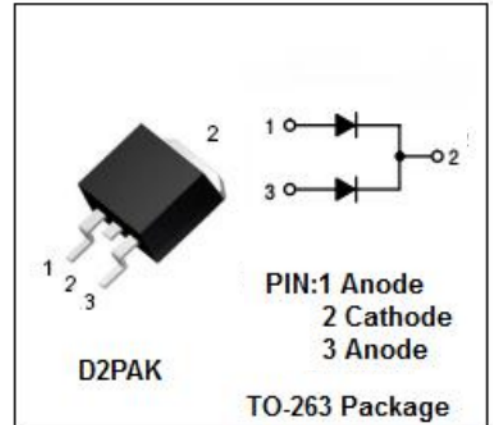
- With TO-263 packaging
- High junction temperature capability
- Low forward voltage drop
- High current capability
- Low power loss, high efficiency
- Minimum Lot-to-Lot variations for robust device performance and reliable operation

APPLICATIONS

- Switching power supply
- Free-Wheeling diodes
- Reverse battery protection
- Center tap configuration

ABSOLUTE MAXIMUM RATINGS(Ta=25°C)

SYMBOL	PARAMETER	VALUE	UNIT
V _{RRM} V _{VRWM} V _R	Peak Repetitive Reverse Voltage Working Peak Reverse Voltage DC Blocking Voltage	150	V
I _{F(AV)}	Average Rectified Forward Current@Tc=155°C	30	A
I _{FSM}	Nonrepetitive Peak Surge Current (8.3ms single half sine-wave superimposed on rated load conditions)	230	A
T _J	Junction Temperature	175	°C
T _{stg}	Storage Temperature Range	-65~175	°C



DIM	mm	
	MIN	MAX
A	10	
B	6.6	6.8
C	15.23	15.25
D	10.15	10.17
F	0.76	0.78
G	1.26	1.28
H	1.4	1.6
J	1.33	1.35
K	0.4	0.6
L	4.6	4.8
Q	8.69	8.71
R	5.28	5.30
S	1.26	1.28
U	0.0	0.2
V	0.37	0.39
W	2.80	2.82

Schottky Barrier Rectifier**DSSK28-01AS****THERMAL CHARACTERISTICS**

SYMBOL	PARAMETER	MAX	UNIT
$R_{th\ j-c}$	Thermal Resistance, Junction to Case	1.4	$^{\circ}C/W$

ELECTRICAL CHARACTERISTICS (Pulse Test: Pulse Width=300 μ s, Duty Cycle \leq 1%)

SYMBOL	PARAMETER	CONDITIONS	MAX	UNIT
V_F	Maximum Instantaneous Forward Voltage	$I_F = 15A ; T_c = 25^{\circ}C$	0.79	V
		$I_F = 15A ; T_c = 125^{\circ}C$	0.64	
		$I_F = 30A ; T_c = 125^{\circ}C$	0.76	
I_R	Maximum Instantaneous Reverse Current	$V_R = V_{RWM} ; T_c = 25^{\circ}C$	0.5	mA
		$V_R = V_{RWM} ; T_c = 125^{\circ}C$	5	