



P/N LEGEND

|        |      |   |   |   |    |   |    |   |   |
|--------|------|---|---|---|----|---|----|---|---|
| A12514 | H-XP | N | 0 | X | NP | N | 00 | G |   |
| ①      | ②    | ③ | ④ | ⑤ | ⑥  | ⑦ | ⑧  | ⑨ | ⑩ |

① Series No.  
 ② Connector type: H=Housing  
 ③ No. of circuits  
 ④ N=Halogen Free  
 ⑤ Material: 0=Nylon 66-V0  
 ⑥ Color: W=White ; B=Black  
 ⑦ Plating code: NP=Non-plating  
 ⑧ Plating code: N=Non-plating  
 ⑨ Option code: 00=Standard  
 ⑩ Packing code: G=Bag

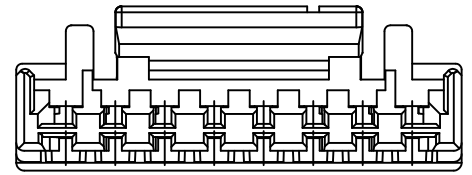
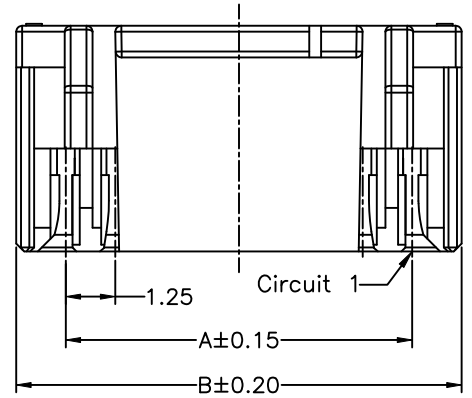
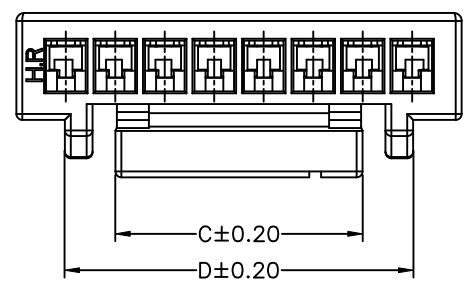
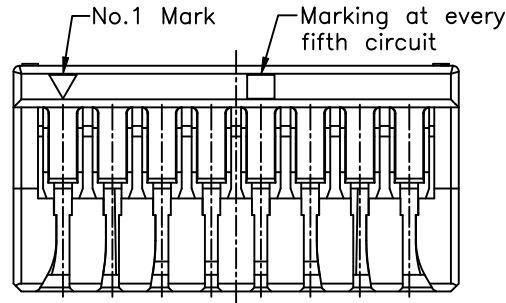
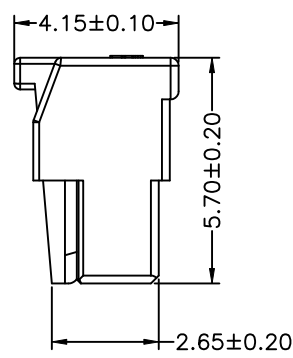
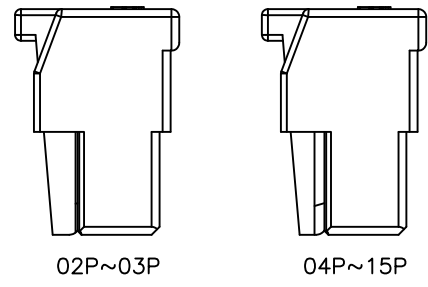
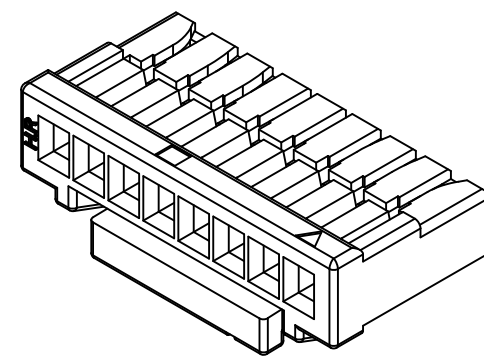
**SPECIFICATIONS**  
 Current Rating: 1A AC,DC  
 Voltage Rating: 50V AC,DC  
 Temperature Range: -25°C ~ +85°C  
 Contact Resistance: 30mΩ Max.  
 Insulation Resistance: 100MΩ Min.  
 Withstanding Voltage: 500V AC/minute

| Circuit No. | Dimensions |       |      |       |
|-------------|------------|-------|------|-------|
|             | A          | B     | C    | D     |
| 02P         | 1.25       | 3.75  | 1.90 | -     |
| 03P         | 2.50       | 5.00  | 3.15 | -     |
| 04P         | 3.75       | 6.25  | 4.25 | -     |
| 05P         | 5.00       | 7.50  | 4.25 | 6.75  |
| 06P         | 6.25       | 8.75  | 6.25 | 8.75  |
| 07P         | 7.50       | 10.00 | 6.25 | 8.75  |
| 08P         | 8.75       | 11.25 | 6.25 | 8.75  |
| 09P         | 10.00      | 12.50 | 6.25 | 8.75  |
| 10P         | 11.25      | 13.75 | 8.20 | 10.70 |
| 11P         | 12.50      | 15.00 | 8.20 | 10.70 |
| 12P         | 13.75      | 16.25 | 8.20 | 10.70 |
| 13P         | 15.00      | 17.50 | 8.20 | 10.70 |
| 14P         | 16.25      | 18.75 | 8.20 | 10.70 |
| 15P         | 17.50      | 20.00 | 8.20 | 10.70 |

燦達電子工業股份有限公司  
 JOINT TECH ELECTRONIC IND. CO., LTD.

UNIT: mm    SCALE: 1:1    SHEET: 1 of 2  
 TITLE: 1.25mm PITCH SINGLE ROW HOUSING  
 DRAW NO.: A12514H-XPXXXXXXX    REV. A5

| REV. | DESCRIPTION    | DATE       | NAME | GENERAL TOLERANCE                      |
|------|----------------|------------|------|--|
| A5   | EN202206071082 | 2022.05.24 | 徐貴湖  | X. X±0.25<br>X. XX±0.15<br>X. XXX±0.05 |
| A4   | EN202204221030 | 2022.04.22 | 吳清   |  |
| A3   | EN20210827782  | 2021.11.17 | 劉國紅  | GENERAL TOLERANCE                      |
| A2   | EN20210730736  | 2021.07.30 | 劉國紅  |  |
| A1   | NEW RELEASE    | 2020.06.29 | 鄭小嬌  | ANGLE±                                 |
| A0   | NEW RELEASE    | 2019.11.21 | 焦秋蘭  |  |



A

B

C

D

A

B

C

D

1 |

2 |

3 |

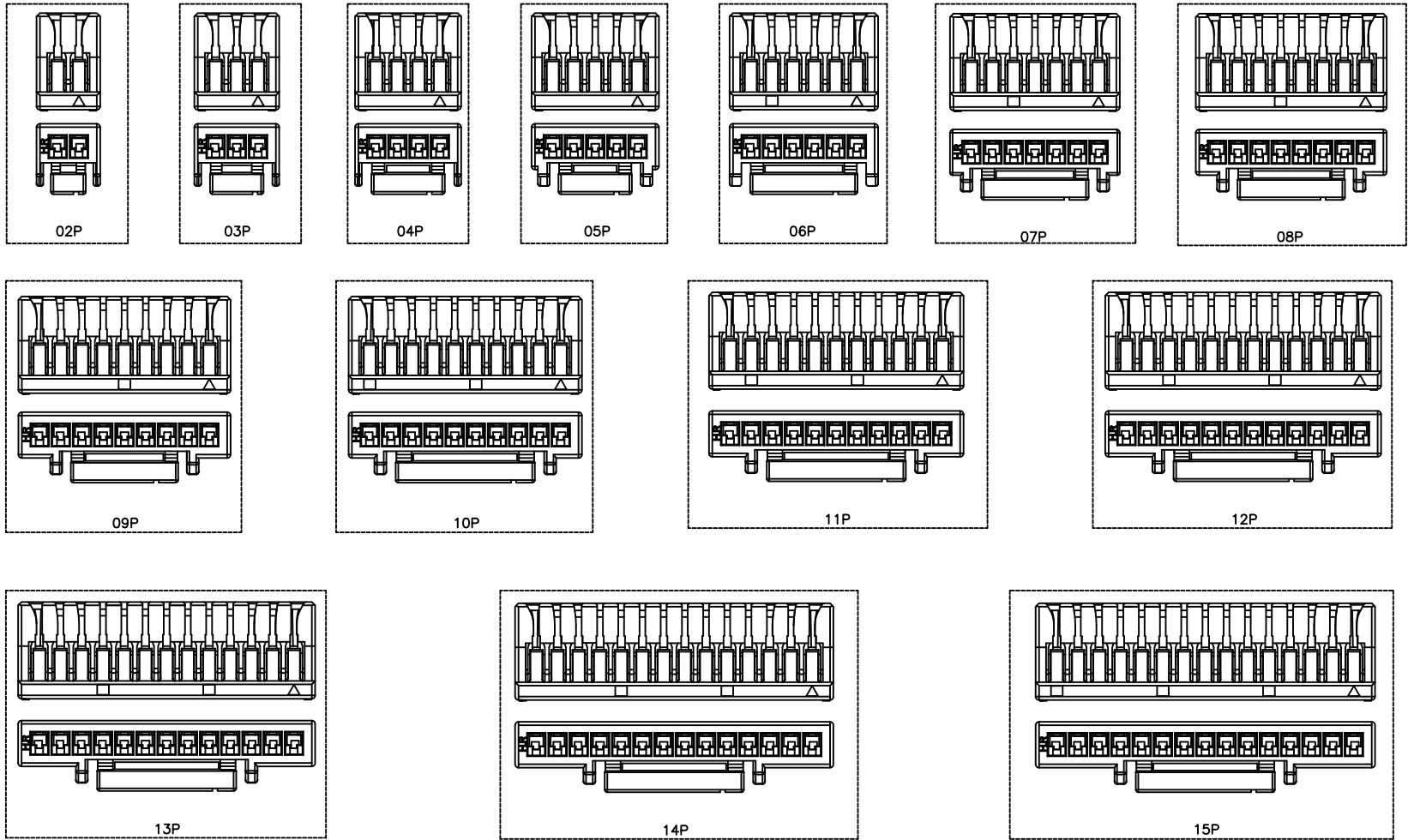
4 |

1 |

2 |

3 |

4 |



|      |                |            |      |                   |  |  |       |   |        |  |  |
|------|----------------|------------|------|-------------------|--|--|-------|---|--------|--|--|
|      |                |            |      |                   |  | 燦達電子工業股份有限公司<br>JOINT TECH ELECTRONIC IND. CO., LTD. |       |   |        |  |  |
|      |                |            |      |                   |  | UNIT   | SCALE | SHEET   | TITLE: |  |  |
|      |                |            |      |                   |  | mm   | 1 : 1 | 2 of 2  |        |  |  |
| A5   | EN202206071082 | 2022.05.24 | 徐貴湖  | DRAWN BY          |  | APPROVED BY  |       | 1.25mm PITCH<br>SINGLE ROW HOUSING<br><br>DRAW NO. : A12514H-XPXXXXXXX<br>REV. A5 |        |  |  |
| A4   | EN202204221030 | 2022.04.22 | 吳清   | 焦秋蘭               |  | 謝瑞清  |       |   |        |  |  |
| A3   | EN20210827782  | 2021.11.17 | 劉國紅  | 2019.09.23        |  | 2019.09.23   |       |   |        |  |  |
| A2   | EN20210730736  | 2021.07.30 | 劉國紅  | GENERAL TOLERANCE |  |  |       |   |        |  |  |
| A1   | NEW RELEASE    | 2020.06.29 | 鄭小嬌  | X. X±0.25         |  | ANGLE±   |       |   |        |  |  |
| A0   | NEW RELEASE    | 2019.11.21 | 焦秋蘭  | X. XX±0.15        |  |  |       |   |        |  |  |
| REV. | DESCRIPTION    | DATE       | NAME | X. XXX±0.05       |  |  |       |   |        |  |  |