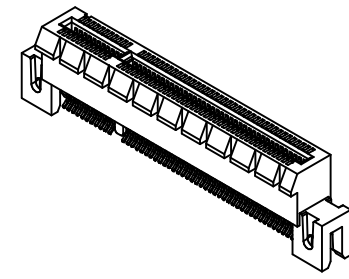
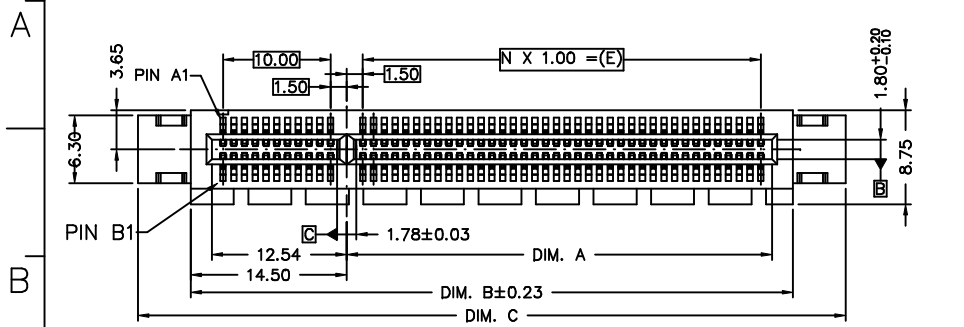
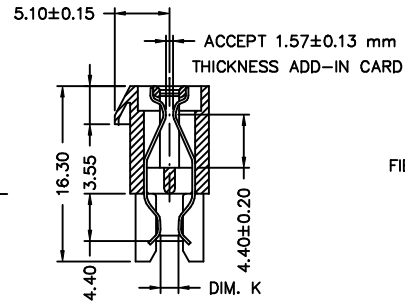
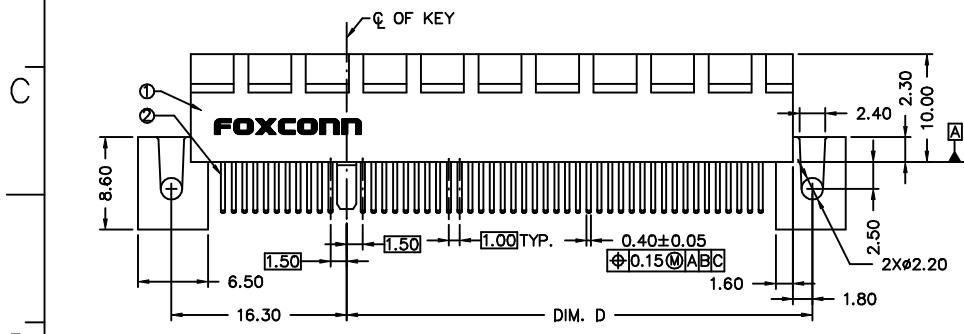


REV.	ECN.	NO.	APPD.
A	BC-20-0032407	Davy Bu	
B	BC-21-0013114	Davy Bu	
BX1	6/11'21	Davy Bu	



- NOTES:
- ELECTRICAL CHARACTERISTICS:
    - 1-1 CURRENT RATING: 1.1 A. PER PIN., 30°C RISE ABOVE AMBIENT.
    - 1-2 CONTACT RESISTANCE: 30 MILLIOHMS MAX. INITIAL, 50 MILLIOHMS MAX. AFTER TEST.
    - 1-3 INSULATION RESISTANCE: 1000 MEGOHMS MIN..
    - 1-4 DIELECTRICAL WITHSTAND VOLTAGE: 500 V AC MIN. AT SEA LEVEL.
  - MECHANICAL CHARACTERISTICS:
    - 2-1 CONTACT INSERTION FORCE: 1.15 N MAX. PER CONTACT PAIR.
    - 2-2 CONTACT REMOVAL FORCE: 0.15 N MIN. PER CONTACT PAIR.
    - 2-3 DURABILITY: 50 MATING AND UNMATING CYCLES.
    - 2-4 CONTACT RETENTION FORCE: 4.9 N MIN. PER PIN.
  - ENVIRONMENTAL CHARACTERISTICS:
    - 3-1 OPERATING TEMPERATURE RANGE: -40°C TO +105°C.
  - PLEASE CONTACT FOXCONN SALES REPRESENTATIVE TO VERIFY PRODUCTION DETAILS & AVAILABILITY
  - IR REFLOW CONDITIONS : 260°C, 10S



PROD. NO.: 2EG 2 \*\* \* \* - D5D6 - JF

FIELD PRODUCT SERIES: 2EG= PCI EXPRESS

TERMINAL TYPE: 2= STRADDLE MOUNT TYPE

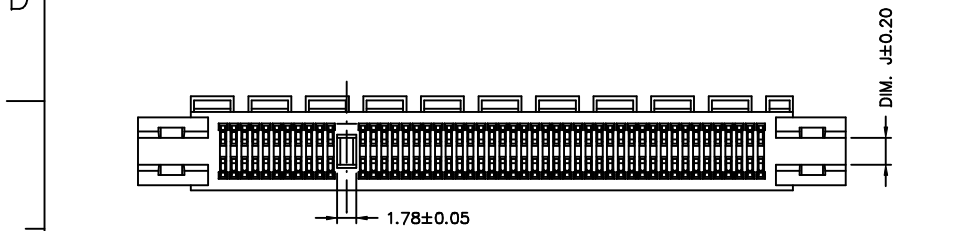
NO. OF POS.  
 18= 36 POSITIONS  
 32= 64 POSITIONS  
 49= 98 POSITIONS  
 82= 164 POSITIONS

PLATING TYPE:  
 JF: LEAD FREE  
 RoHS COMPLIANT

EXTENSION CODE

CONTACT AREA GOLD PLATING:  
 1= GOLD FLASH  
 7= 15u" GOLD  
 3= 30u" GOLD

TAIL GAP:  
 1= FOR 1.57 mm THICKNESS PCB  
 2= FOR 2.08 mm THICKNESS PCB  
 3= FOR 2.36 mm THICKNESS PCB



PART NUMBER	N	DIM. A	DIM. B	DIM. C	DIM. D	DIM. E	
2EG218**--D5D6-JF	6	8.54	25.00	34.80	12.30	6.00	TO BE DEVELOPED
2EG232**--D5D6-JF	20	22.54	39.00	48.80	26.30	20.00	TO BE DEVELOPED
2EG249**--D5D6-JF	37	39.54	56.00	65.80	43.30	37.00	
2EG282**--D5D6-JF	70	72.54	89.00	98.80	76.30	70.00	

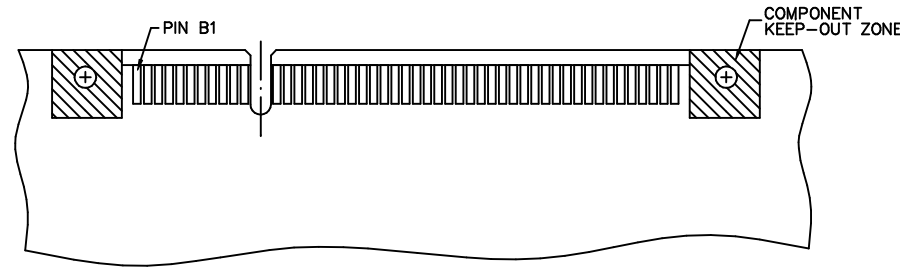
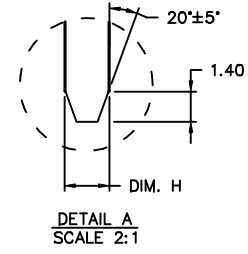
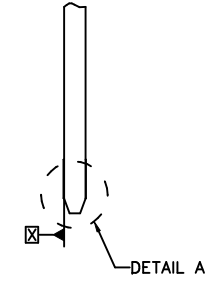
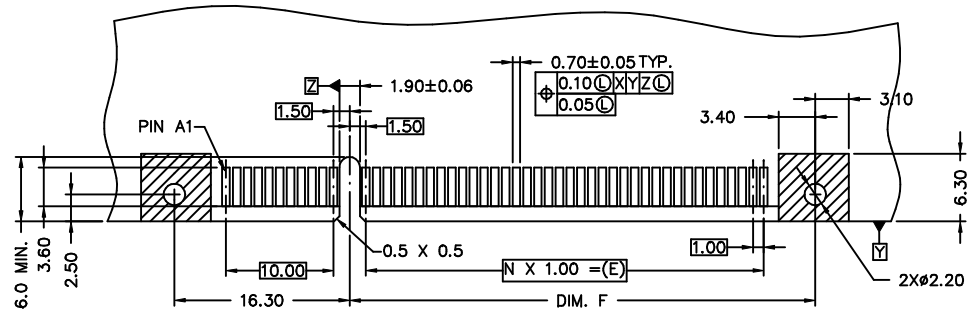
PART NUMBER	DIM. J	DIM. K
2EG2**3*-D5D6-JF	2.80	2.02
2EG2**2*-D5D6-JF	2.50	1.80
2EG2**1*-D5D6-JF	2.00	1.30

ITEM	DESCRIPTION	Q'TY	MATERIAL	TREATMENT
2	CONTACT	SEE DENOMINATION	COPPY ALLOY	50u" NICKEL PLATING OVERALL UNDERPLATED. 100u" TIN PLATING OVER NICKEL AT TAIL. GOLD PLATING ON CONTACT AREA.
1	HOUSING	1	THERMOPLASTIC UL 94V-0	MOLDED BLACK

X.±	X'±	Z'	UNITS	NAME (INTENDED USE)	
.X± 0.38	.X'±	1'	MAT'L	STRADDLE MOUNT PCI EXPRESS CONN.	
.XX± 0.25	.XX±		N/A	PART NO. (INTENDED USE) 2EG2****-D5D6-JF	
.XXX±	.XXX±		FINISH	APPD: Davy Bu 6/11'21	
<small>THESE DRAWINGS AND SPECIFICATIONS ARE THE PROPERTY OF FOXCONN INTERCONNECT TECHNOLOGY LIMITED AND SHALL NOT BE REPRODUCED, COPIED OR USED IN ANY MANNER WITHOUT THE PRIOR WRITTEN CONSENT OF FOXCONN INTERCONNECT TECHNOLOGY LIMITED.</small>					CLASS: <input type="checkbox"/> CONFIDENTIAL <input type="checkbox"/> SECRET <input checked="" type="checkbox"/> GENERAL TITLE: CUSTOMER DRAWING DWG NO.: 303-0000-3592
			Q'TY	CHKD: Johnny Tang 6/11'21 DR: Mingliu Xu 6/11'21	

SCALE	SHEET	REV.
NA	1/3	BX1

REV.	ECN.	NO.	APPD.
SEE SHEET 1/3			



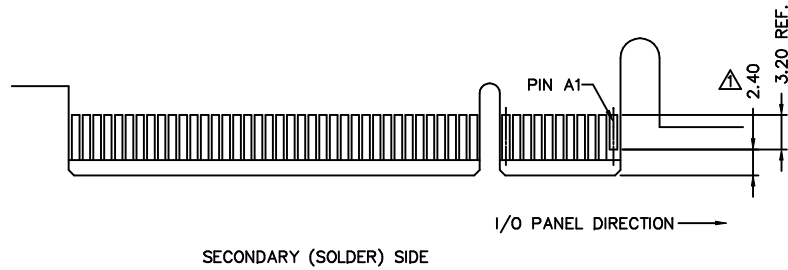
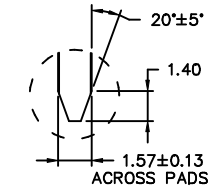
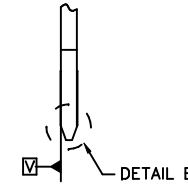
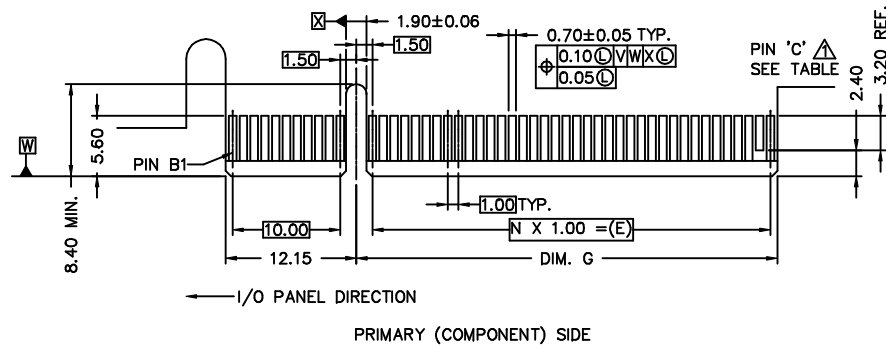
RECOMMENDED PCB DIMENSIONS

2EG218**~D5D6~JF	X1	36	6	6.00	12.30
2EG232**~D5D6~JF	X4	64	20	20.00	26.30
2EG249**~D5D6~JF	X8	98	37	37.00	43.30
2EG282**~D5D6~JF	X16	164	70	70.00	76.30
PART NUMBER	CONNECTOR LINK WIDTH	# POS REF	N	DIM. E	DIM. F

2EG2**3*~D5D6~JF	2.36±0.24
2EG2**2*~D5D6~JF	2.08±0.21
2EG2**1*~D5D6~JF	1.57±0.16
PART NUMBER	DIM. H

X.±	X°.± 2'	UNITS	mm	NAME(INTENDED USE) STRADDLE MOUNT PCI EXPRESS CONN.	FOXCONN INTERCONNECT TECHNOLOGY LIMITED.	
.X±	.X°.± 1'	MAT'L	N/A			
.XX± 0.13	.XX°.±	FINISH	N/A	PART NO.(INTENDED USE) 2EG2****~D5D6~JF	CLASS: <input type="checkbox"/> CONFIDENTIAL <input type="checkbox"/> SECRET <input checked="" type="checkbox"/> GENERAL	
.XXX±	.XXX°.±		N/A	APPD: Davy Bu 6/11'21	TITLE: CUSTOMER DRAWING	
THESE DRAWINGS AND SPECIFICATIONS ARE THE PROPERTY OF FOXCONN INTERCONNECT TECHNOLOGY LIMITED AND SHALL NOT BE REPRODUCED, COPIED OR USED IN ANY MANNER WITHOUT THE PRIOR WRITTEN CONSENT OF FOXCONN INTERCONNECT TECHNOLOGY LIMITED.				Q'TY	N/A	
				CHKD: Johnny Tang 6/11'21	DR: Mingliu Xu 6/11'21	DWG NO.:
				SCALE	SHEET	REV.
				NA	2/3	BX1

REV.	ECN.	NO.	APPD.
SEE SHEET 1/3			



CONNECTOR LINK WIDTH	# POS REF	N	DIM. E	DIM. G	'C'
X16	164	70	70.00	72.15	B81
X8	98	37	37.00	39.15	B48
X4	64	20	20.00	22.15	B31
X1	36	6	6.00	8.15	B17

### ADD-IN CARD EDGE-FINGER DIMENSIONS

**NOTES:**

- ⚠ NO TIE PERMITTED FROM CARD EDGE TO LEADING EDGE OF PAD FOR PINS A1 AND 'C'.
- ⚠ CHAMFER EDGES MUST BE FREE OF CUTTING BURRS.

X.±	X°.± 2'	UNITS	mm	NAME(INTENDED USE) STRADDLE MOUNT PCI EXPRESS CONN.	<small>FOXCONN INTERCONNECT TECHNOLOGY LIMITED.</small>		
.X±	.X°.± 1'	MAT'L	N/A				
.XX± 0.13	.XX°.±	FINISH	N/A	PART NO.(INTENDED USE) 2EG2****-D5D6-JF	CLASS: <input type="checkbox"/> CONFIDENTIAL <input type="checkbox"/> SECRET <input checked="" type="checkbox"/> GENERAL		
.XXX±	.XXX°.±		N/A	APPD: Davy Bu 6/11'21	TITLE: CUSTOMER DRAWING		
THESE DRAWINGS AND SPECIFICATIONS ARE THE PROPERTY OF FOXCONN INTERCONNECT TECHNOLOGY LIMITED AND SHALL NOT BE REPRODUCED, COPIED OR USED IN ANY MANNER WITHOUT THE PRIOR WRITTEN CONSENT OF FOXCONN INTERCONNECT TECHNOLOGY LIMITED.				Q'TY	N/A		
				CHKD:	Johnny Tang 6/11'21	DWG NO.:	303-0000-3592
				DR:	Mingliu Xu 6/11'21	SCALE	SHEET
					NA	3/3	BX1