

THINKING ELECTRONIC INDUSTRIAL CO., LTD.

HEAD OFFICE: 12F, No.93, Dashun 1st Rd., Zuoying Dist., Kaohsiung, Taiwan

TEL: 886-7-5577660 FAX: 886-7-5570560

MANUFACTURING SITE

- KAOHSIUNG FACTORY 1: No. 51, Kaifa Rd., N.E.P.Z, Kaohsiung City 81170, Taiwan
TEL: 886-7-9616668 FAX: 886-7-9616698
- KAOHSIUNG FACTORY 2: No. 2-2, Xinjian S. Rd., N.E.P.Z., Kaohsiung City 81170, Taiwan
TEL: 886-7-9630001 FAX: 886-7-3635113
- CHANGZHOU FACTORY: No.6 Longmen Rd., Wujin High & New-Tech Industrial
Development Zone, Changzhou, Jiangsu, China 213161
TEL: 86-519-86578999 FAX: 86-519-86558643
- DONG GUAN FACTORY: No.45, East Rd., Sha-Tao Dist., Chang-An Town,
Dongguan City, Guangdong, China 523863
TEL: 86-769-85542016 FAX: 86-769-85546890
- YICHANG FACTORY: No. 283 Xiaoting Avenue, Xiaoting Dist., Yichang
City 443007, Hubei, China
TEL: 86-717-6510010 FAX: 86-717-6511430



SPECIFICATION FOR APPROVAL

CUSTOMER 立創電子

CERTIFIED _____

MODEL/TYPE _____

PART NO. TVM0B110M161RY (RoHS+HF)

APPLICATION _____

CUSTOMER P/N _____

ISSUE DATE Jul. 22, 2022

REV. NO. _____

REV. DATE _____

FOR CUSTOMER APPROVAL	CHECKED BY
	<i>Shu Ling Fu</i>
	APPROVED BY
	<i>Chun Chu Tu</i>





REVISED RECORD SHEET

REV. NO	REV. DATE	REVISED CONTENT



INDEX	Page
■ Part Number Code	1
■ Structure and Dimensions	2
■ Electrical Characteristics	2
■ Reliability	3 ~ 4
■ Soldering Recommendation	5
■ Power Derating Curve	6
■ Surge Current Standard Waveform	6
■ Recommended Soldering Pad Dimensions	7
■ RoHS Compliant Declaration	7
■ Warehouse Storage Conditions of Products	7
■ Packaging	8
■ Certificates & Test Report	9
■ Max. Surge Current Derating Curve	10
■ Max. Leakage Current and Max. Clamping Voltage Curve	11

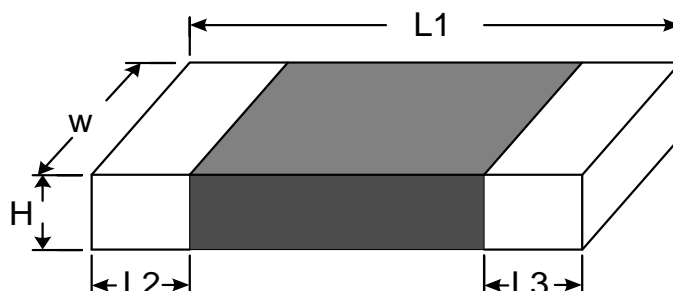
Part Number Code

Example :

TVM **0** **B** **110** **M** **161** **R** **Y**
 (1) (2) (3) (4) (5) (6) (7) (8)

No.	Item	Digit	Specification
(1)	Product Type	TVM	SMD Varistor TVM Type
(2)	Size (EIA)	0	0402
(3)	Series	B	B series
(4)	Varistor Voltage(V_{1mA})	110	$11 \times 10^0 V = 11V$
(5)	Tolerance of V_{1mA}	M	$\pm 20 \%$
(6)	Typical Capacitance (@1KHz)	161	$16 \times 10^1 pF = 160 pF$
(7)	Packaging	R	Reel
(8)	Optional Suffix	Y	RoHS+HF compliance

Structure and Dimensions



(unit : mm)

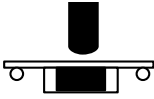
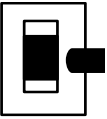
L1	W	H	L2 and L3
1.00±0.15	0.50±0.10	0.50±0.10	0.20±0.10

Electrical Characteristics

Part No.	Max. Continuous Voltage		Varistor Voltage		Max. Clamping Voltage (8 / 20μS)		Typical Capacitance @1KHz	Leakage Current @ V _{DC}
	V _{AC} (rms) (V)	V _{DC} (V)	V _{1mA} (V)	ΔV _{1mA} (±%)	V _P (V)	I _P (A)	C (pF)	I _L (μA)
TVM0B110M161RY	6	8	11	20	27	1	160±20%	≤20

Part No.	Max. Surge Current (8 / 20μS)	Max. Energy (10 / 1000μS)	Operating Temperature Range	Storage Temperature Range
	I _{max} (A)	W _{max} (J)	(°C)	(°C)
TVM0B110M161RY	10	0.05	-40 ~ +85	-40 ~ +125

Reliability

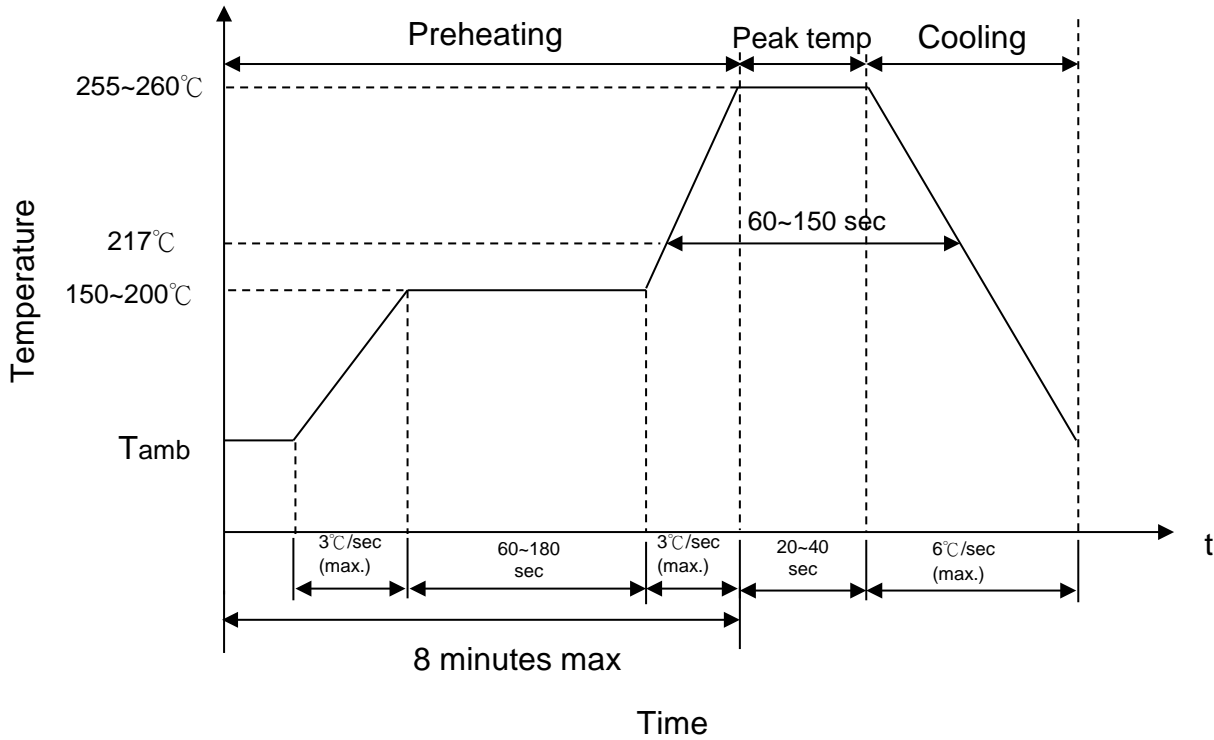
Item	Standard	Test conditions / Methods	Specifications															
Bending Strength	IEC 60068-2-21	Warp : 2mm ; Speed < 0.5mm/sec. Duration : 10 sec on PCB. 	$ \Delta V_{1mA}/V_{1mA} \leq 5\%$ No visible damage															
Adhesion	IEC 60068-2-21	Speed < 0.5mm/sec. on PCB 	$W \geq 0.5Kgf$ the terminal electrode shall be break off not the chip element															
Damp Heat Load, Steady State	IEC 60068-2-78	$40 \pm 2 \text{ }^\circ\text{C}$, 90~95% RH , 500 ± 24 hrs at V_{DC}	$ \Delta V_{1mA}/V_{1mA} \leq 10\%$ No visible damage															
High Temp. Storage	IEC 60068-2-2	$125 \pm 5 \text{ }^\circ\text{C}$, 1000 ± 24 hrs	$ \Delta V_{1mA}/V_{1mA} \leq 5\%$ No visible damage															
Rapid Change of Temperature	IEC 60068-2-14	The conditions shown below shall be repeated 5 cycles on PCB <table border="1" data-bbox="518 1055 1169 1361"> <thead> <tr> <th>Step</th> <th>Temperature ($^\circ\text{C}$)</th> <th>Period (minutes)</th> </tr> </thead> <tbody> <tr> <td>1</td> <td>-40 ± 5</td> <td>30 ± 3</td> </tr> <tr> <td>2</td> <td>Room temperature</td> <td>5 ± 3</td> </tr> <tr> <td>3</td> <td>125 ± 5</td> <td>30 ± 3</td> </tr> <tr> <td>4</td> <td>Room temperature</td> <td>5 ± 3</td> </tr> </tbody> </table>	Step	Temperature ($^\circ\text{C}$)	Period (minutes)	1	-40 ± 5	30 ± 3	2	Room temperature	5 ± 3	3	125 ± 5	30 ± 3	4	Room temperature	5 ± 3	$ \Delta V_{1mA}/V_{1mA} \leq 5\%$ No visible damage
Step	Temperature ($^\circ\text{C}$)	Period (minutes)																
1	-40 ± 5	30 ± 3																
2	Room temperature	5 ± 3																
3	125 ± 5	30 ± 3																
4	Room temperature	5 ± 3																
High Temp. Load	MIL-STD-202 Method 108	$85 \pm 2 \text{ }^\circ\text{C}$, 1000 ± 24 hrs at V_{DC}	$ \Delta V_{1mA}/V_{1mA} \leq 5\%$ No visible damage															
Low Temp. Load	IEC 60068-2-1	$-40 \pm 5 \text{ }^\circ\text{C}$, 1000 ± 24 hrs at V_{DC}	$ \Delta V_{1mA}/V_{1mA} \leq 5\%$ No visible damage															
Max. Energy	IEC 61051-1 4.6	10/1000 μS Waveform, W_{max} , 1 surge current	$ \Delta V_{1mA}/V_{1mA} \leq 10\%$ No visible damage															
Vibration	IEC 60068-2-6	Frequency range : 10~55Hz Amplitude : 0.75mm or 98m/s ² Direction : 3 mutually perpendicular directions, 2hrs each	$ \Delta V_{1mA}/V_{1mA} \leq 5\%$ No visible damage															

Reliability

Item	Standard	Test conditions / Methods	Specifications
Varistor Voltage Temp. Coefficient	Specification Standard	measure V_{1mA} at -40°C 、 25°C 、 125°C	$ T_c \leq 0.05\%/^{\circ}\text{C}$
Climatic Sequence	IEC 61051-1 4.18	a. 125°C x 16 hrs b. 1st cycle : 55°C 93 %RH x 24 hrs c. -40°C x 2 hrs d. 5 cycles : 55°C 93% RH x 24 hrs / Cycle	$ \Delta V_{1mA}/V_{1mA} \leq 10\%$ No visible damage
Max. Surge Current	IEC 61051-1 4.6	8/20 μS waveform , I_{max} , 1 surge current	$ \Delta V_{1mA}/V_{1mA} \leq 10\%$ No visible damage
Solderability	IEC 60068-2-58	$245 \pm 5^{\circ}\text{C}$, 3 ± 0.3 sec	at least 95% of terminal electrode is covered by new solder
Resistance to Soldering Heat	IEC 60068-2-58	$260 \pm 5^{\circ}\text{C}$, 10 ± 1 sec	$ \Delta V_{1mA}/V_{1mA} \leq 5\%$ No visible damage

Soldering Recommendation

■ IR-reflow soldering profile

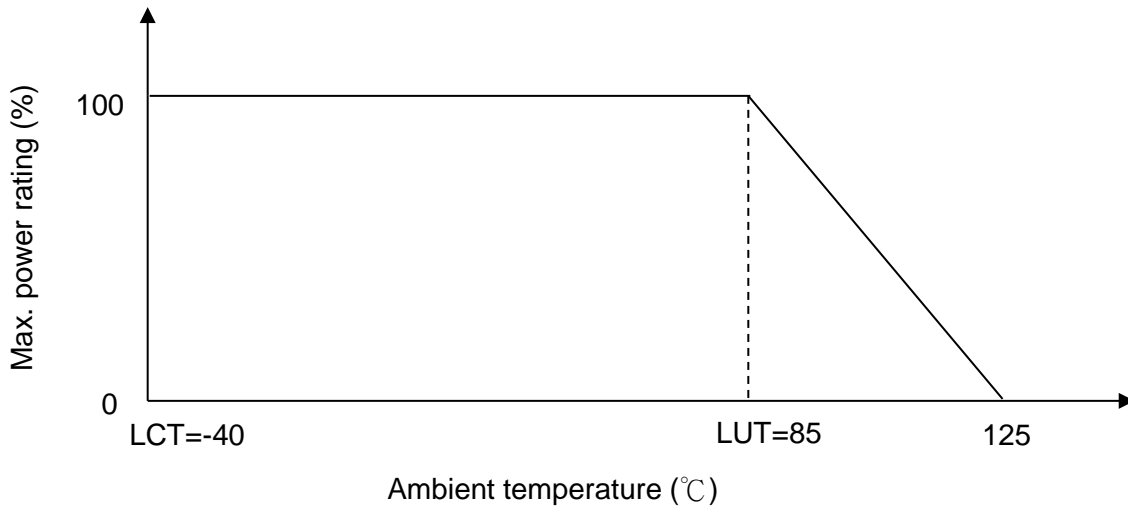


■ Recommended Reworking Conditions with Soldering Iron

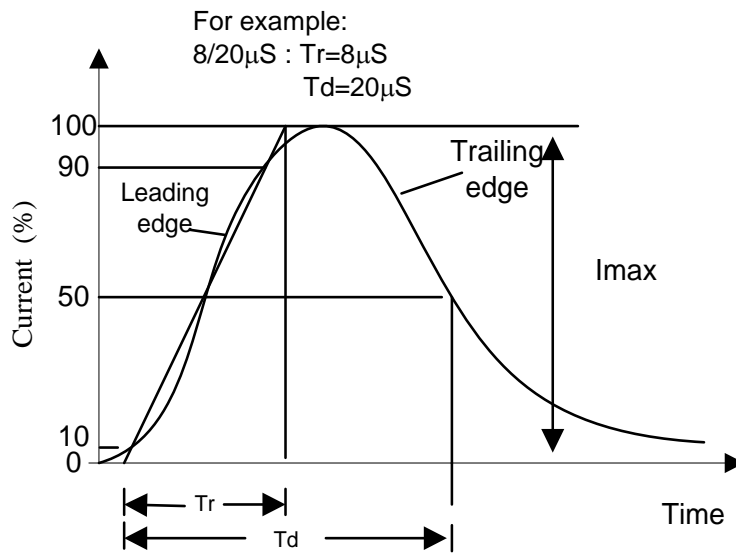
Item	Conditions
Temperature of Soldering Iron-tip	360°C (max.)
Soldering Time	3 sec (max.)
Diameter of Soldering Iron-tip	φ 3mm (max.)
Caution: Not to touch the component surface with soldering iron directly to prevent component damage.	

Power Derating Curve

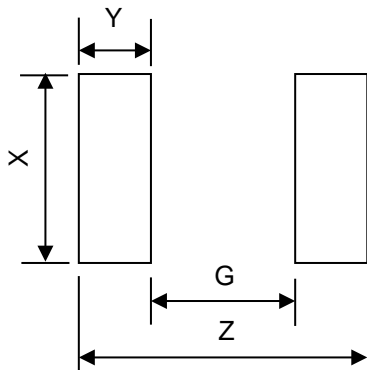
When operating temperature exceeds 85°C, the power should be derated as below figure.



Surge Current Standard Waveform



Recommended Soldering Pad Dimensions



Size (EIA)	0402
Z	1.7 mm
G	0.5 mm
X	0.6 mm
Y	0.6 mm

RoHS Compliant Declaration

We hereby declare that the components delivered to your company are compliant with RoHS directive 2015/863/EU.

Warehouse Storage Conditions of Products

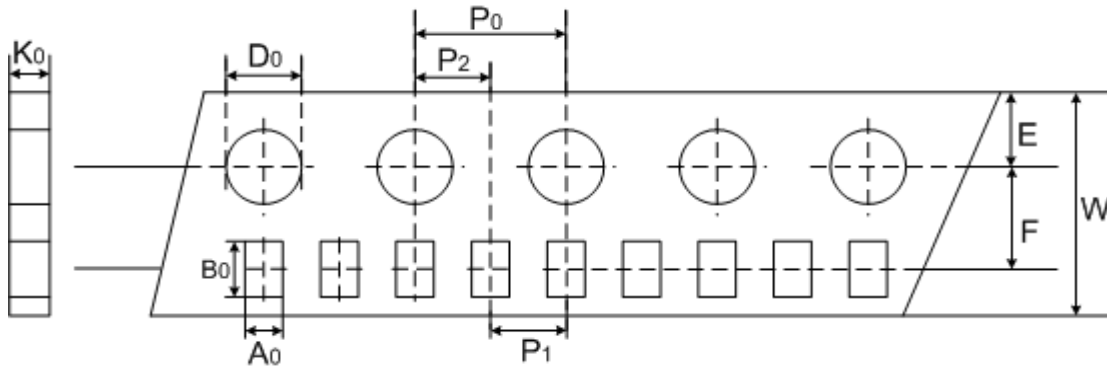
(I) Storage Conditions :

- 1.Storage Temperature : $-10^{\circ}\text{C} \sim +40^{\circ}\text{C}$
- 2.Relative Humidity : $\leq 75\%RH$
- 3.Keep away from corrosive atmosphere and sunlight.

(II) Period of Storage : 1 year

Packaging

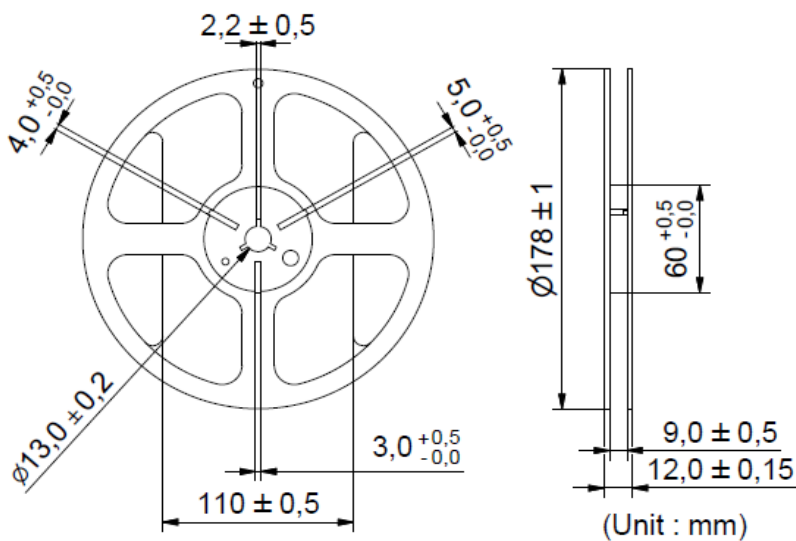
■ Taping Specification (0402 Series)



(Unit : mm)

Index	A_0	B_0	W	E	F	P_1	P_2	P_0	D_0	K_0
Size	± 0.05	± 0.12	± 0.2	± 0.1	± 0.05	± 0.1	± 0.05	± 0.1	± 0.1	± 0.1
0402	0.62	1.12	8	1.75	3.5	2	2	4	1.55	0.60

■ Quantity (10000 pcs / reel)



(Unit : mm)

Certificates

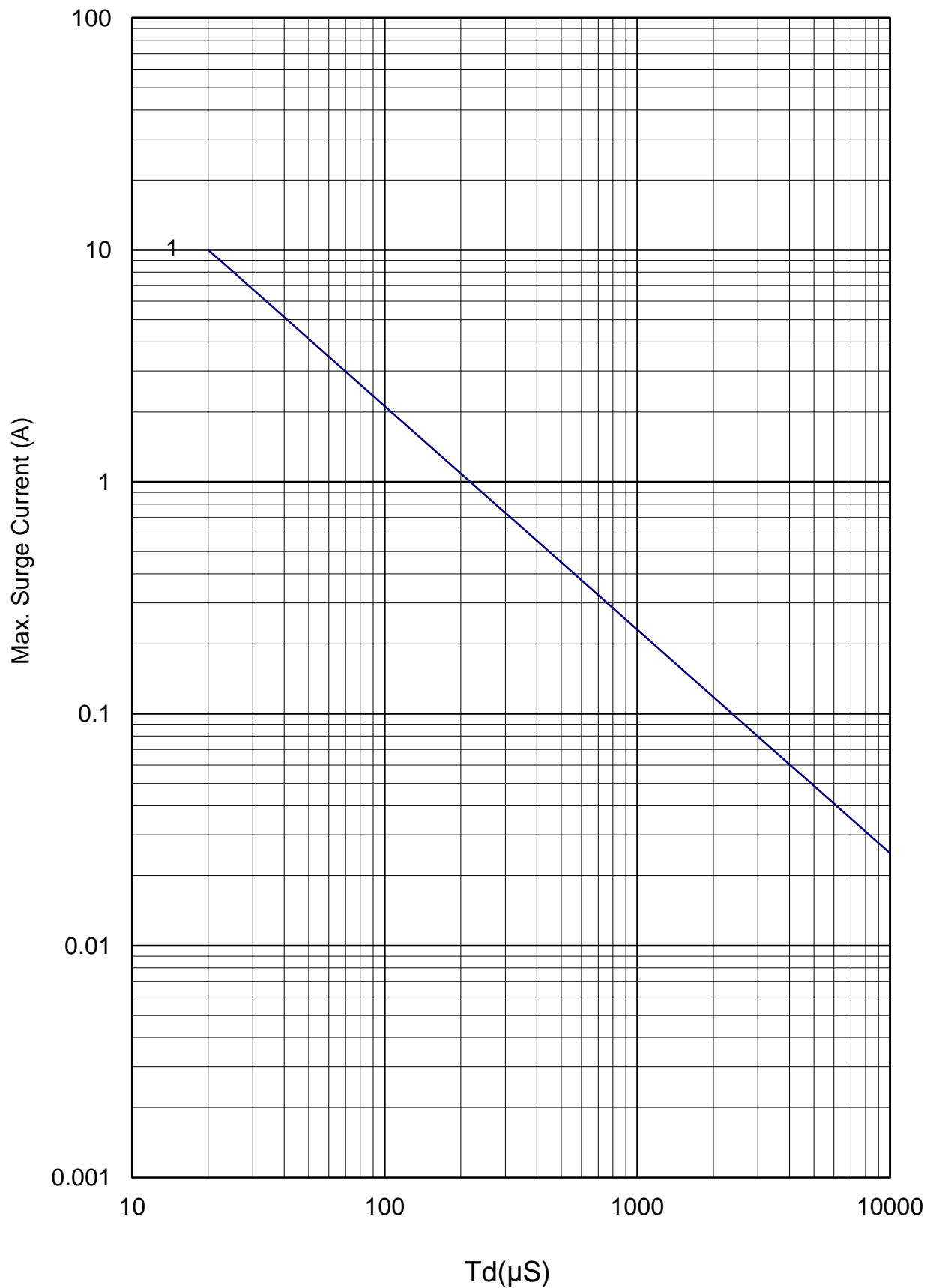
- (1) IATF 16949 certificate
- (2) ISO 9001 certificate
- (3) QC 080000 certificate

Test Report

- (1) RoHS test report
- (2) Halogen-free test report

Max. Surge Current Derating Curve

TVM0B110M161RY





Max. Leakage Current and Max. Clamping Voltage Curve

TVM0B110M161RY

