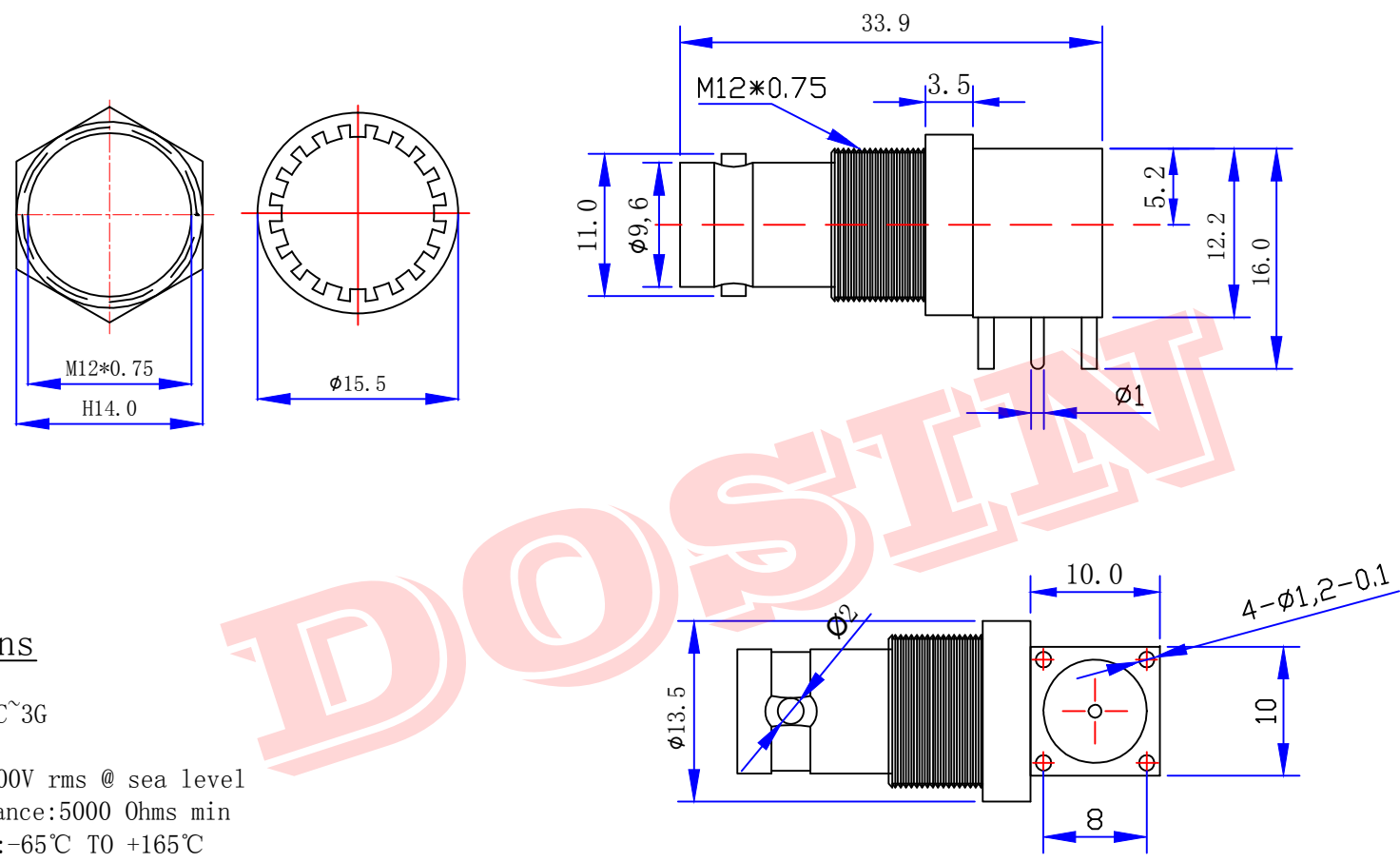


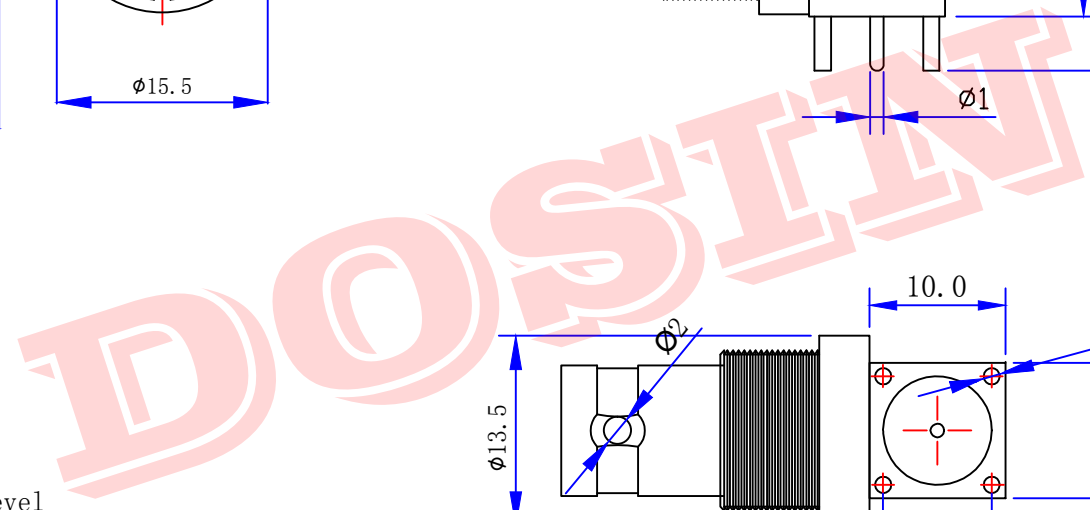


Product NO.		DOSIN-801-0079		
REV	DESCRIPTION	DWN	DATE	APPROVEN
A	First issue	CHEN	2012/11/02	John kine



Specifications

Impedance:75 Ohms
 Frequency Range:DC~3G
 VSWR:1.3MAX
 Working Voltage:500V rms @ sea level
 Insulation Resistance:5000 Ohms min
 Temperature Range:-65°C TO +165°C
 Relative Temperature:≤95%(40° C±2° C)
 Drawings products are in line with ROHS standards



E	GASKET	TE	NICKEL	1
D	NUT	BRASS	NICKEL	1
C	INSULATOR	TEFLON	WHITE	1
B	CONTACT PLATING	BRASS	GOLD	1
A	BODY	BRASS	NICKEL	1
NO	DESCRIPTION	MATERIAL	FINISHED	QTY

NOTE:		Tolerance	0-6 ±0.2 6-30 ±0.3 30-120 ±0.5 Angular ±2°
DRAWN	2012/11/10	View	
Zelin. CHEN		UNIT	MM
CHECKED		SCALE	1:1
APPROVALS	12/04.2012		
John Kine			

DOSIN RF CONNECTOR
Dosin Industrial(H.K)Co.Ltd
 东莞市德索五金电子制品有限公司
Dosin Hardware Electronics Co.,Ltd

E-mail:dosin2005@163.com
 dosin2005@dosin-china.com
 Web:http://www.dosinconn.com
 TEL:(0086)769-81153906
 FAX:(0086)769-81875836

Name: BNC CONNECTOR DNN

SIZE A Product NO. DOSIN-801-0079 REV A

DateTime 2012/11/02 CAD FILE D/company drawings/BD SHEET: 1 OF 1