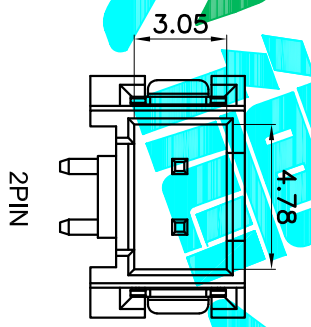


技术要求/Notes:

- 1.外观质量 Appearance quality:
 - a.金属表面镀层不能有明显损伤;
 - b.塑壳表面不能有明显的变形或开裂;
 2. No obvious deformation or cracking can be observed on the surface of the Housing;
 3. 产品表面应保持清洁;
 4. Product surface should be kept clean;
 5. 工作温度 Working temperature: $-25^{\circ}\text{C} \sim +105^{\circ}\text{C}$;
 6. 额定电压 Voltage Rating : Max 250V [AC/Effective value rms]/DCI;
 7. 额定电流 Current Rating: Max 2A [AC/Effective value rms]/DCI;
 8. 接触电阻 Contact resistance: Max 20 m Ω ;
 9. 绝缘电阻 Insulation resistance: Min 1000M Ω ;
 10. 耐压 Withstanding voltage: 1000V AC/50 Hz, Effective value: 1 min);
 11. 环保要求应符合RoHS标准
- Environmental requirements should meet RoHS standards.



16	30.00	36.00	32.80	28.90
15	28.00	34.00	30.80	26.90
14	26.00	32.00	28.80	24.90
13	24.00	30.00	26.80	22.90
12	22.00	28.00	24.80	20.90
11	20.00	26.00	22.80	18.90
10	18.00	24.00	20.80	16.90
9	16.00	22.00	18.80	14.90
8	14.00	20.00	16.80	12.90
7	12.00	18.00	14.80	10.90
6	10.00	16.00	12.80	8.90
5	8.00	14.00	10.80	6.90
4	6.00	12.00	8.80	4.90
3	4.00	10.00	6.80	2.90
2	2.00	8.00	4.80	2.70
孔位				
OKT NO.	DIM A	DIM B	DIM C	DIM D

PCB LAYOUT

ECN NO.	REV.	DATE.	DESCRIPTION.	CHANGE.	CHECK.	APPRO.
	A		NEW			

APPROVALS	DATE	TOLERANCES ARE	PART NO.	SCALE:	SHEET
DRAWN G.M.Chen	2015/7/17	30±0.15 10~30 ±0.20 5~10 ±0.13 ~5 ±0.10	L200HY-XXPS	1:1	1 OF 1
CHECKED		±2°			
APPROVALS					
TITLE: CONNECTOR					
DRAWING NO.					
PROJECT					

