

NOTE:

- MATERIAL:
HOUSING:LCP(UL 94V-0)
ACTUATOR:LCP(UL 94V-0)
TERMINAL:PHOSPHOR BRONZE
STOPPER:PHOSPHOR BRONZE
- PLATING:
TERMINAL:SEE ORDERING INFORMATION
STOPPER:TIN OVER NICKEL(LEAD FREE)
- PART NO. :

AFH26 - S ** F I A -1H

Remarks: 1H=Housing
HF:Halogen free

Packing: A=Tape & rell C=tube

Gold flash I=1u"AU M=5U"AU

Right Angle Lower Contact Type

NO.of contacts

Series name

FPC Series Pitch=0.3mm

备注：现目前生产PIN位为（11P；19P）

NO. OF CONTACTS	PART NUMBER	DIM. A	DIM. B	DIM. C	DIM. D	DIM. E
09		4.2	1.8	2.4	3.03	3.7
11	AFH26-S11FIA-1H	4.8	2.4	3.0	3.63	4.3
13		5.4	3.0	3.6	4.23	4.9
15		6.0	3.6	4.2	4.83	5.5
17		6.6	4.2	4.8	5.43	6.1
19	AFH26-S19FIA-1H	7.2	4.8	5.4	6.03	6.7
21		7.8	5.4	6.0	6.63	7.3
23		8.4	6.0	6.6	7.23	7.9
25		9.0	6.6	7.2	7.83	8.5
27		9.6	7.2	7.8	8.43	9.1
29		10.2	7.8	8.4	9.03	9.7
31		10.8	8.4	9.0	9.63	10.3
33		11.4	9.0	9.6	10.23	10.9
35		12.0	9.6	10.2	10.83	11.5
37		12.6	10.2	10.8	11.43	12.1
39		13.2	10.8	11.4	12.03	12.7
41		13.8	11.4	12.0	12.63	13.3
43		14.4	12.0	12.6	13.23	13.9
45		15.0	12.6	13.2	13.83	14.5
49		16.2	13.8	14.4	15.03	15.7
51		16.8	14.4	15.0	15.63	16.3
57		18.6	16.2	16.8	17.43	18.1
61		19.8	17.4	18.0	18.63	19.3
67		21.6	19.2	19.8	20.43	21.1
71		22.8	20.4	21.0	21.63	22.3

TOLERANCE UNLESS SPECIFIED	SHEET 1/5	DR. BY 王億仁	MATERIAL See Note 1.
LINEAR ANGLE	SCALE 10/1	CHK. BY 詹文耀	FINISH See Note 2.
X XX X* XX XX XX X* XX XXXXX XX* XX	UNIT mm	APP. BY 詹文耀	PART NO. See Note 3.

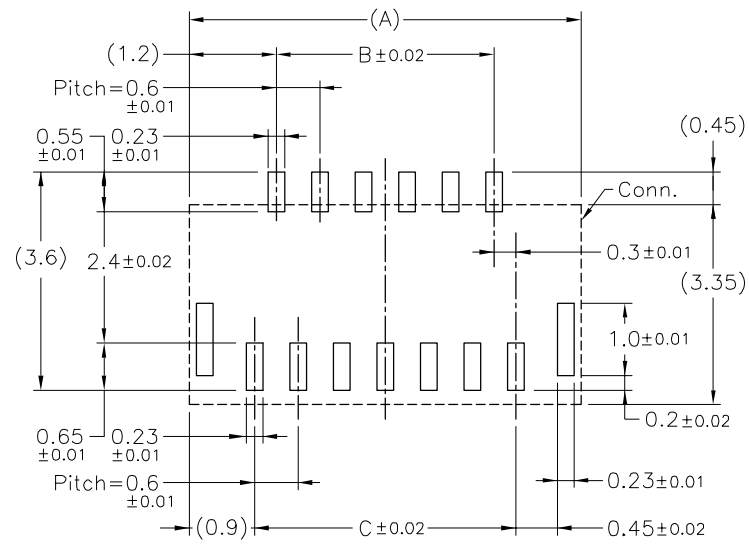
深圳市钜硕电子有限公司
SHENZHEN JUSHUO ELECTRONIC CO.,LTD

TITLE 0.3mm Pitch FPC Conn. E/O (H=1.0)

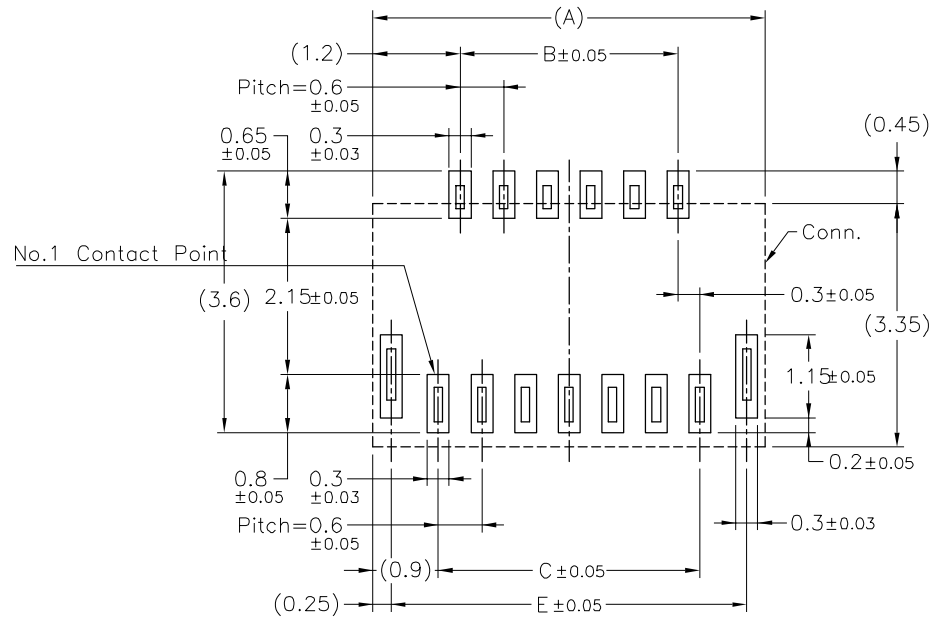
DWG NO. AFH26-S**FIA-1H

HF

REV.	ECO NO.	DATE	SIGN	DESCRIPTION
A	-	20181101	Elven	Release



RECOMMENDED METAL MASK PATTERN



↑
FPC/FFC INSERT DIRECTION
PCB LAYOUT

NO. OF CONTACTS	PART NUMBER	DIM. A	DIM. B	DIM. C	DIM. E
09		4.2	1.8	2.4	3.7
11	AFH26-S11FIA-1H	4.8	2.4	3.0	4.3
13		5.4	3.0	3.6	4.9
15		6.0	3.6	4.2	5.5
17		6.6	4.2	4.8	6.1
19	AFH26-S19FIA-1H	7.2	4.8	5.4	6.7
21		7.8	5.4	6.0	7.3
23		8.4	6.0	6.6	7.9
25		9.0	6.6	7.2	8.5
27		9.6	7.2	7.8	9.1
29		10.2	7.8	8.4	9.7
31		10.8	8.4	9.0	10.3
33		11.4	9.0	9.6	10.9
35		12.0	9.6	10.2	11.5
37		12.6	10.2	10.8	12.1
39		13.2	10.8	11.4	12.7
41		13.8	11.4	12.0	13.3
43		14.4	12.0	12.6	13.9
45		15.0	12.6	13.2	14.5
49		16.2	13.8	14.4	15.7
51		16.8	14.4	15.0	16.3
57		18.6	16.2	16.8	18.1
61		19.8	17.4	18.0	19.3
67		21.6	19.2	19.8	21.1
71		22.8	20.4	21.0	22.3

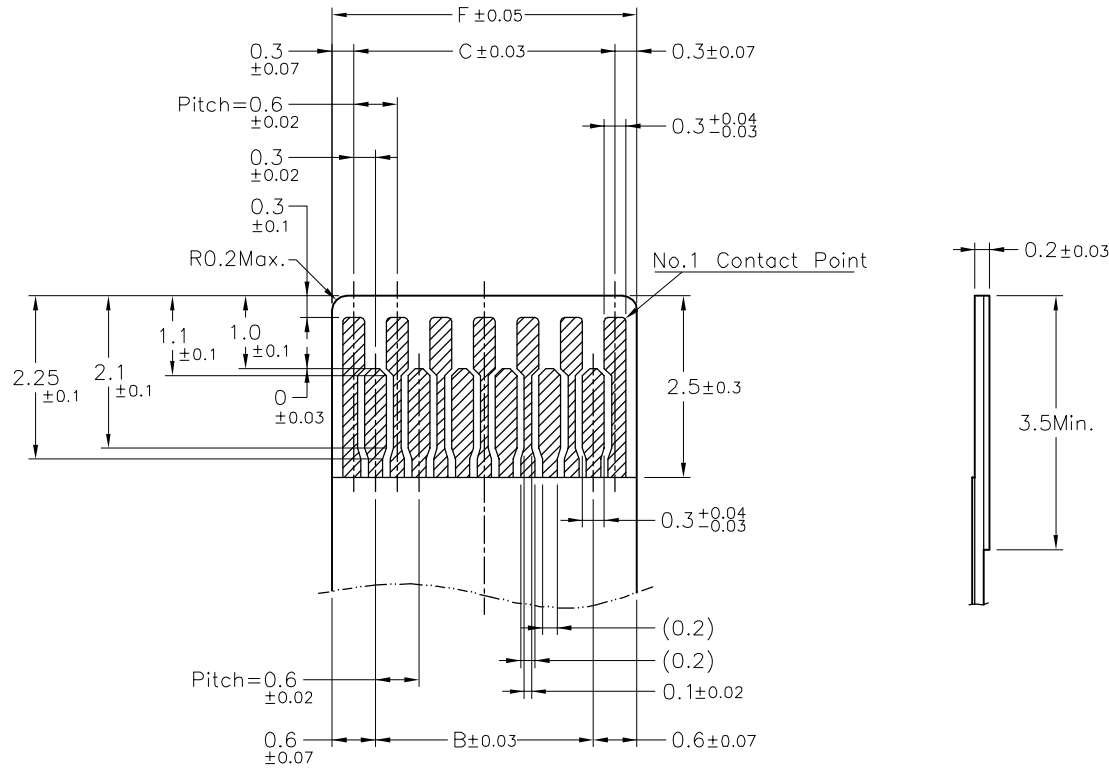
TOLERANCE UNLESS SPECIFIED	SHEET 2/5	DR. BY 王億仁	MATERIAL
LINEAR	SCALE 10/1	CHK. BY 詹文耀	FINISH
ANGLE	UNIT mm	APP. BY 詹文耀	PART NO.
X XX			
XX XX			
XXXXX			

深圳市钜硕电子有限公司
SHENZHEN JUSHUO ELECTRONIC CO.,LTD

TITLE 0.3mm Pitch FPC Conn. E/O (H=1.0)
DWG NO. AFH26-S**FIA-1H

HF

REV.	ECO NO.	DATE	SIGN	DESCRIPTION
A	-	20181101	Elven	Release

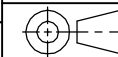


APPLICABLE FPC

NO. OF CONTACTS	PART NUMBER	DIM. B	DIM. C	DIM. F
09		1.8	2.4	3.0
11	AFH26-S11FIA-1H	2.4	3.0	3.6
13		3.0	3.6	4.2
15		3.6	4.2	4.8
17		4.2	4.8	5.4
19	AFH26-S19FIA-1H	4.8	5.4	6.0
21		5.4	6.0	6.6
23		6.0	6.6	7.2
25		6.6	7.2	7.8
27		7.2	7.8	8.4
29		7.8	8.4	9.0
31		8.4	9.0	9.6
33		9.0	9.6	10.2
35		9.6	10.2	10.8
37		10.2	10.8	11.4
39		10.8	11.4	12.0
41		11.4	12.0	12.6
43		12.0	12.6	13.2
45		12.6	13.2	13.8
49		13.8	14.4	15.0
51		14.4	15.0	15.6
57		16.2	16.8	17.4
61		17.4	18.0	18.6
67		19.2	19.8	20.4
71		20.4	21.0	21.6

TOLERANCE UNLESS SPECIFIED		SHEET 3/5	DR. BY 王億仁	MATERIAL
LINEAR	ANGLE	SCALE 10/1	CHK. BY 詹文耀	FINISH
X XX	X° XX	UNIT mm	APP. BY 詹文耀	PART NO.
XX XX	X° XX			
XXXXX	.XX° XX			

深圳市钜硕电子有限公司
SHENZHEN JUSHUO ELECTRONIC CO.,LTD



TITLE 0.3mm Pitch FPC Conn. E/O (H=1.0)
DWG NO. AFH26-S**FIA-1H