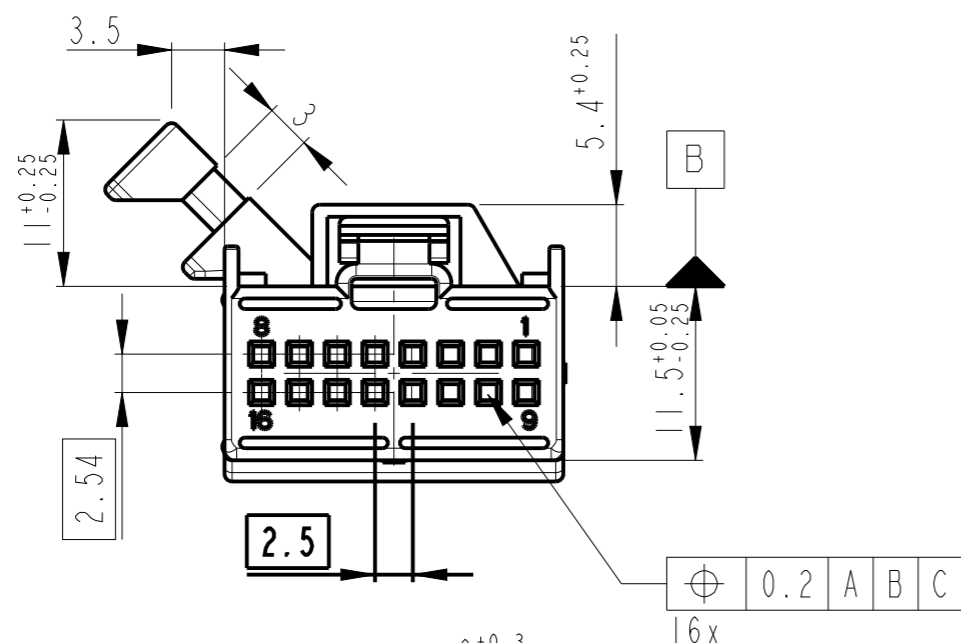


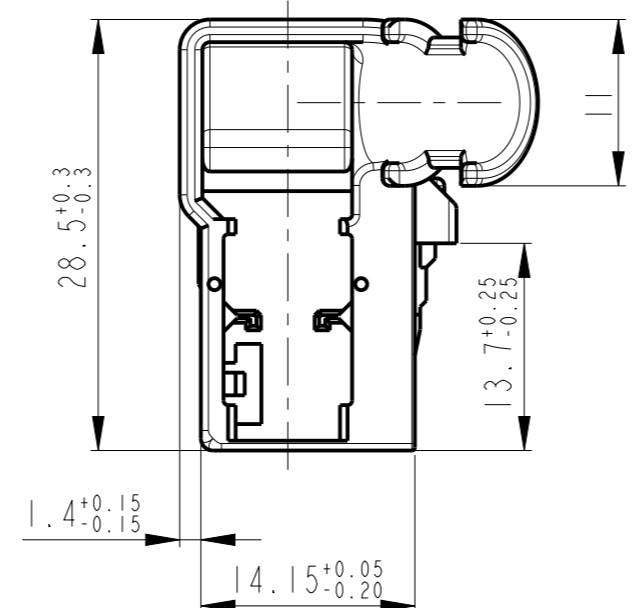
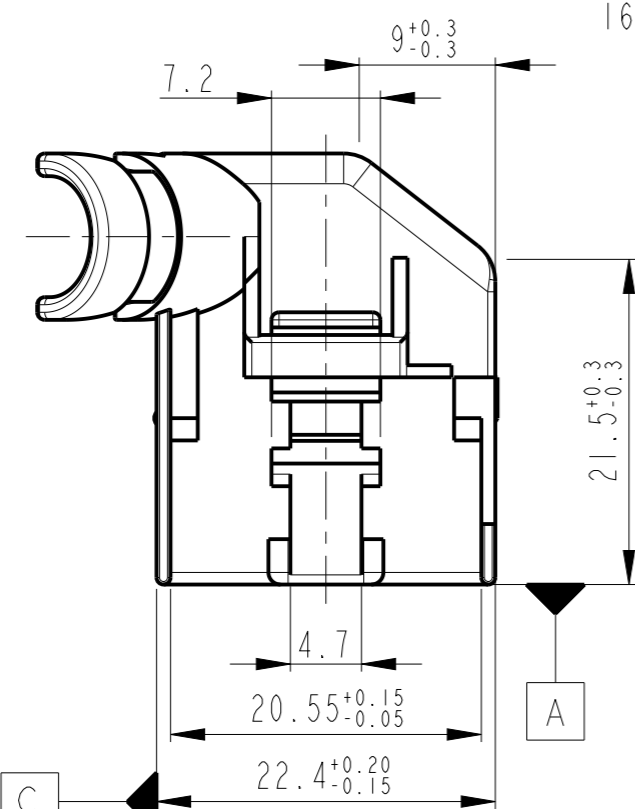
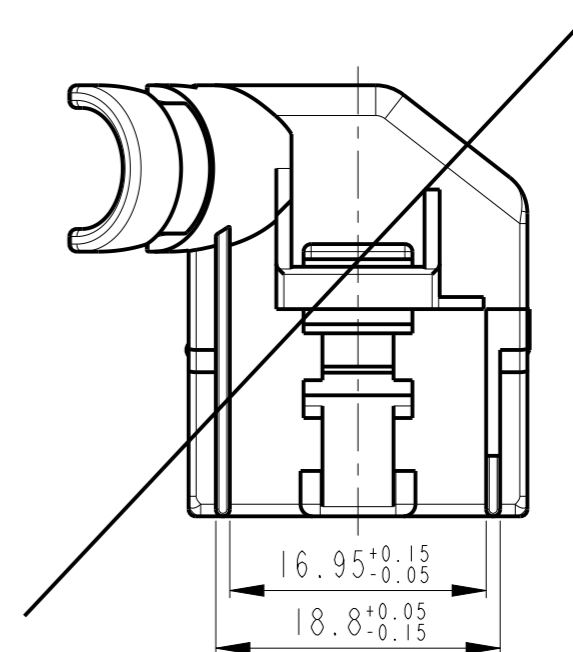
REVISIONS

P	LTR	DESCRIPTION	DATE	DWN	APVD
A1		Zeichnung neu erstellt	04JUL2001	KS	BK
A2		Note 2 (D) korrigiert	15JUL2002	KS	BL
A3		ADDED NOTE	26JUN2003	PS	BL
A4		RELEASE NEW P.N	02JUL2014	TD	MZ

① CODING A  
Kodierung A



② CODING B  
Kodierung B



Notes

- 1 SUITABLE MATING PART: 966870
- 2 SUITABLE RECEPTACLE HOUSING: 1534101

Bemerkungen

- 1 Passender Gegenstecker: 966870
- 2 Passendes Buchsengehäuse: 1534101

PART-NO. Bestell-Nr.	REV.	CODING Kodierung	MATERIAL	COLOUR Farbe	RAL	POS.
1-1534094-1	A	A	PBT-GF15	BROWN / braun	1011	1

THIS DRAWING IS A CONTROLLED DOCUMENT.		DWN K.Sellien 04JUL2001																							
		CHK B.Kirsch 12JUL2001																							
DIMENSIONS: mm		TOLERANCES UNLESS OTHERWISE SPECIFIED:		NAME COVER, 45DEG., 2x8 POSN., MQS Buchsengehäuse, 45deg., 2x8 pol. MQS																					
		<table border="1"> <tr> <td>0 PLC</td> <td>±</td> <td>ACC. TO</td> </tr> <tr> <td>1 PLC</td> <td>±</td> <td>DIN 16901-140</td> </tr> <tr> <td>2 PLC</td> <td>±</td> <td>CENTRIC TO</td> </tr> <tr> <td>3 PLC</td> <td>±</td> <td>NOMINAL DIM</td> </tr> <tr> <td>4 PLC</td> <td>±</td> <td></td> </tr> <tr> <td>ANGLES</td> <td>±2°</td> <td></td> </tr> </table>		0 PLC	±	ACC. TO	1 PLC	±	DIN 16901-140	2 PLC	±	CENTRIC TO	3 PLC	±	NOMINAL DIM	4 PLC	±		ANGLES	±2°		PRODUCT SPEC		SIZE A3	
0 PLC	±	ACC. TO																							
1 PLC	±	DIN 16901-140																							
2 PLC	±	CENTRIC TO																							
3 PLC	±	NOMINAL DIM																							
4 PLC	±																								
ANGLES	±2°																								
MATERIAL SEE TABLE		FINISH SEE TABLE		APPLICATION SPEC		CAGE CODE 00779																			
				DRAWING NO 1534094		RESTRICTED TO																			
				WEIGHT		SCALE 2:1																			
				CUSTOMER DRAWING		SHEET 1 OF 1																			
						REV A4																			