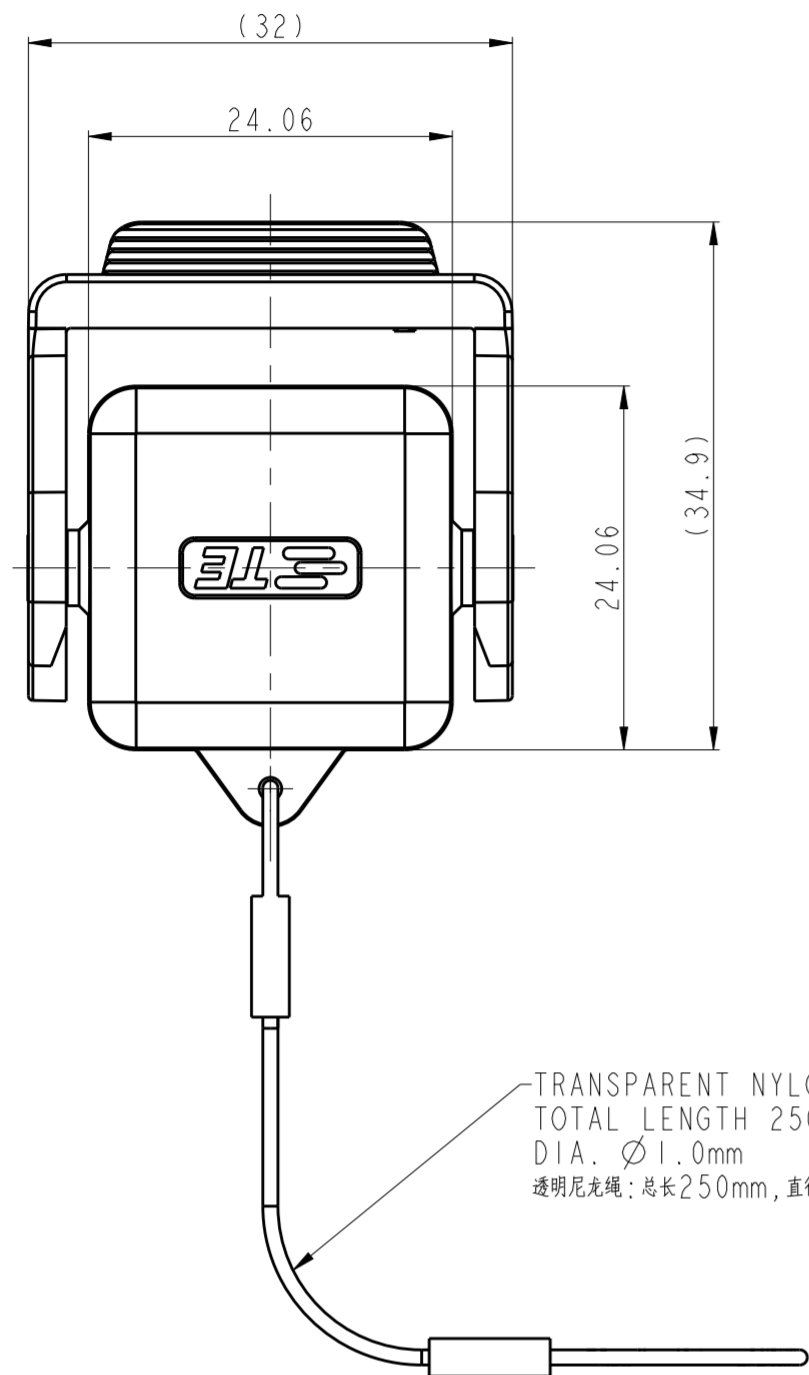
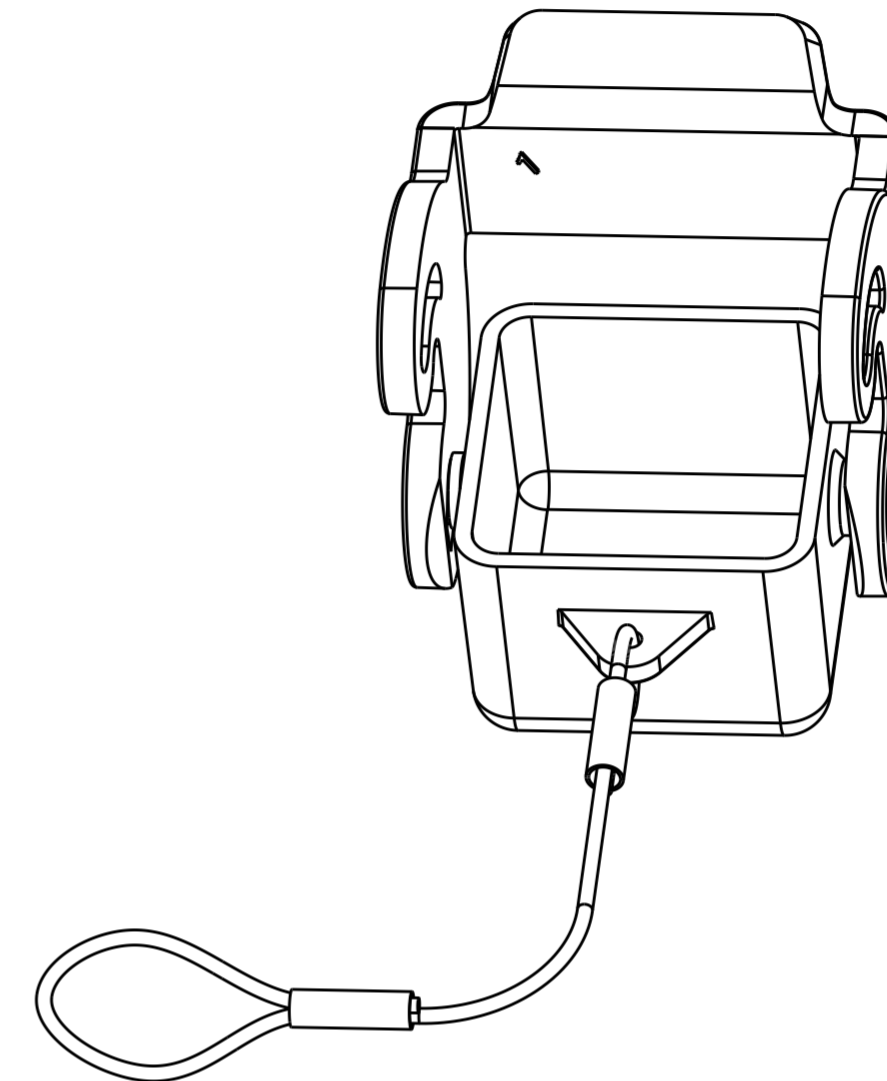
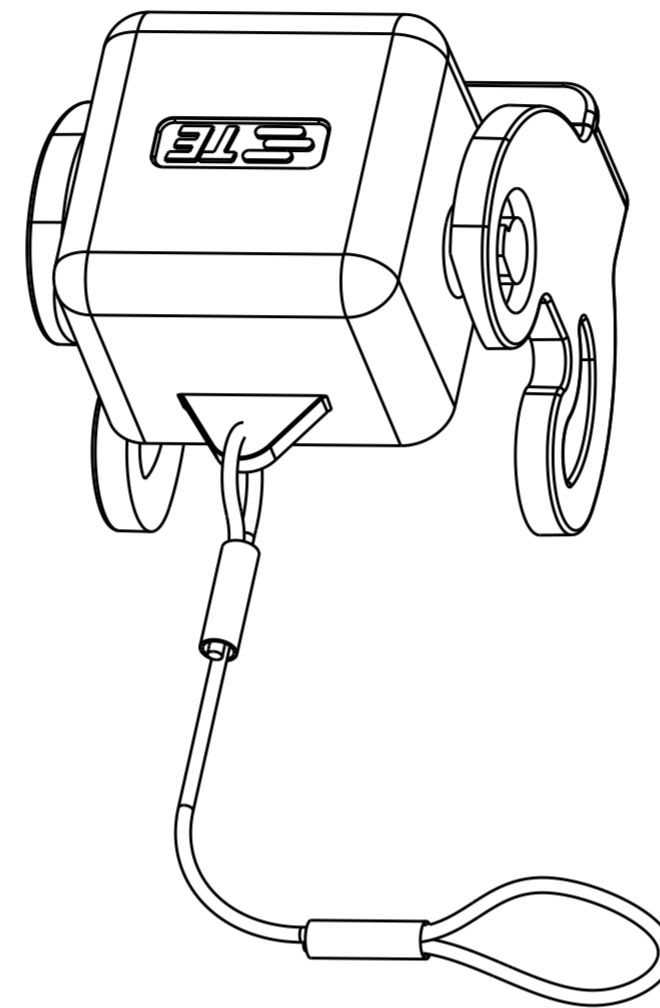


THIS DRAWING IS UNPUBLISHED. RELEASED FOR PUBLICATION  
 © COPYRIGHT copyright.d8te ALL RIGHTS RESERVED.

REVISIONS					
P	LTR	DESCRIPTION	DATE	DWN	APVD
A		INITIAL	11JUL2017	CH	CW
B		ECR-18-017120	27MAR2019	BS	CW

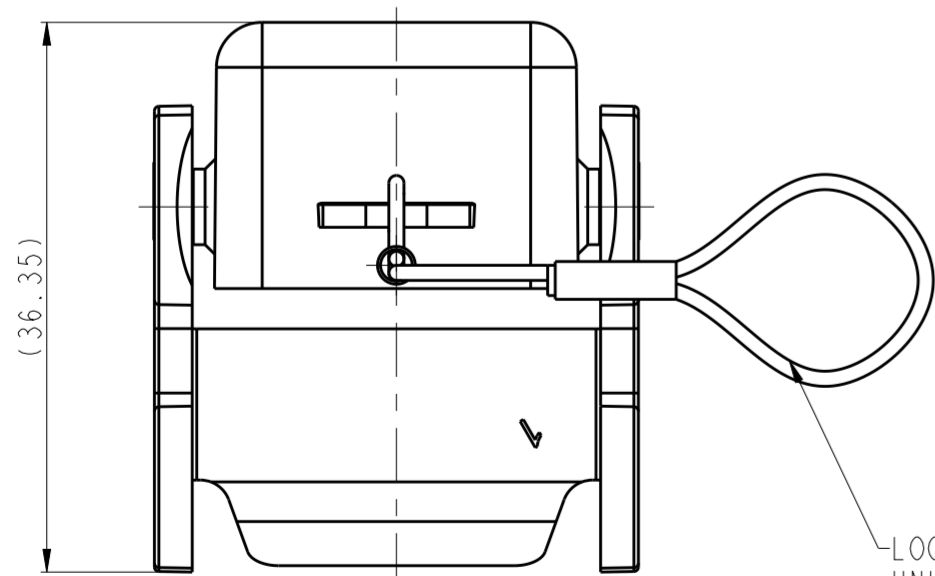


TRANSPARENT NYLON ROPE:  
 TOTAL LENGTH 250mm,  
 DIA.  $\varnothing$ 1.0mm  
 透明尼龙绳: 总长250mm, 直径 $\varnothing$ 1.0mm

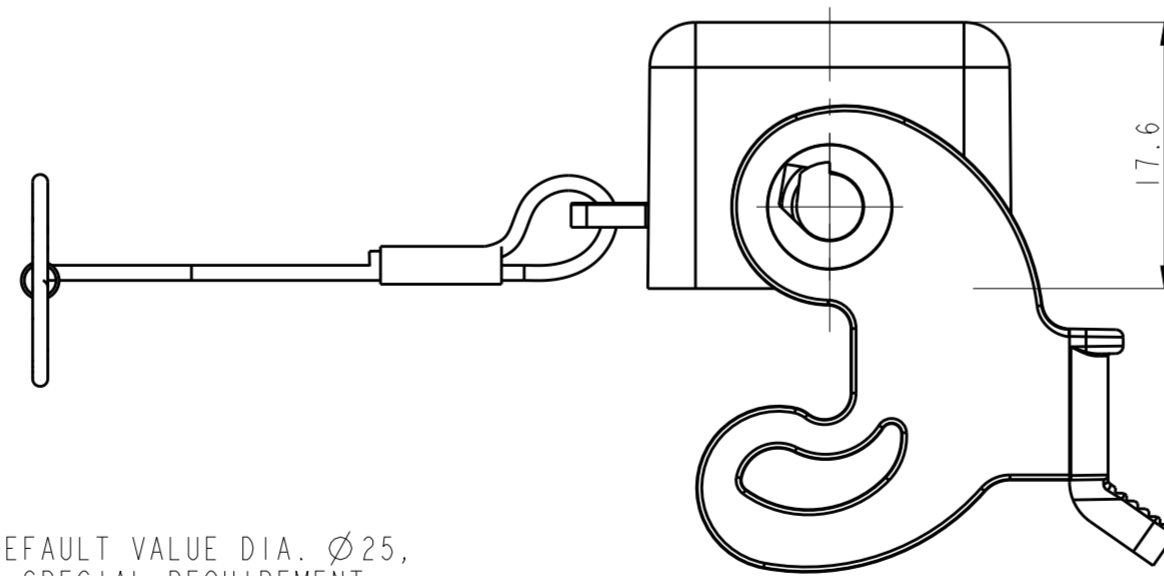


NOTES:  
 1. TECHNICAL CHARACTERISTICS:  
 COVER MATERIAL: PC, COLOR SEE TABLE  
 PLASTIC SINGLE LOCKING MATERIAL: PA, COLOR SEE TABLE

注释:  
 1. 技术参数:  
 保护盖材质: PC, 颜色见表格。  
 塑料单扣材质: 尼龙, 颜色见表格。



LOOP SIZE DEFAULT VALUE DIA.  $\varnothing$ 25,  
 UNLESS HAVE SPECIAL REQUIREMENT.  
 套圈大小默认值直径是 $\varnothing$ 25, 除非有特别要求。



T1010034100-000	H3A-KDTP-G	H3A HOOD PLASTIC PROTECTION COVER, PLASTIC SINGLE LOCKING, WITHOUT SEALING, NYLON ROPE, DARK GREY H3A上壳塑料保护盖, 塑料单扣, 不带密封, 尼龙绳, 深灰色
T1010031100-000	H3A-KDTP	H3A HOOD PLASTIC PROTECTION COVER, PLASTIC SINGLE LOCKING, WITHOUT SEALING, NYLON ROPE, GREY H3A上壳塑料保护盖, 塑料单扣, 不带密封, 尼龙绳, 灰色
PART NUMBER 料号	PART DESCRIPTION 描述	

THIS DRAWING IS A CONTROLLED DOCUMENT.		DWN CHARLIE HU 11JUL2017	TE Connectivity	
DIMENSIONS: mm		CHK GINO YAO 11JUL2017		
TOLERANCES UNLESS OTHERWISE SPECIFIED:		APVD CHRIS WANG 11JUL2017	NAME H3A-KDTP/H3A-KDTP-G	
		PRODUCT SPEC	SIZE A2	
MATERIAL		APPLICATION SPEC	CAGE CODE	DRAWING NO
		WEIGHT	RESTRICTED TO	
		CUSTOMER DRAWING	SCALE 2:1 SHEET 1 OF 1 REV B	