

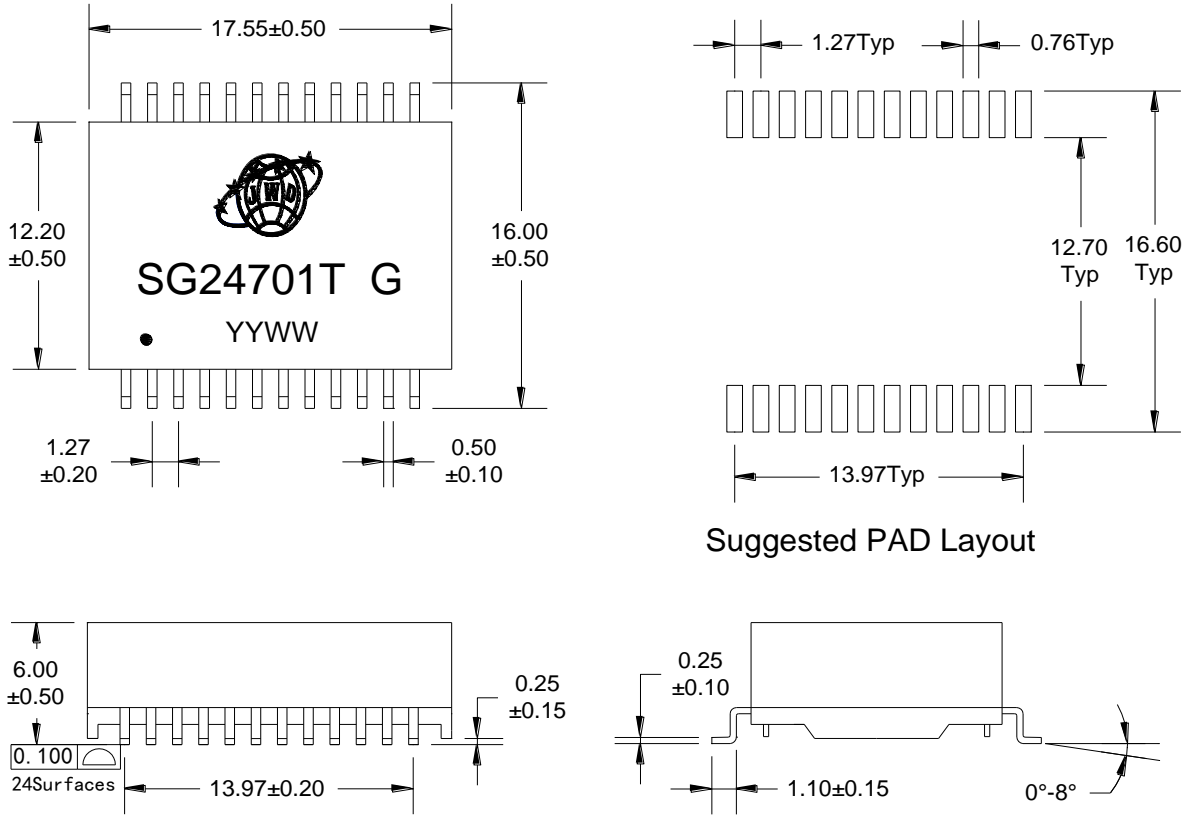




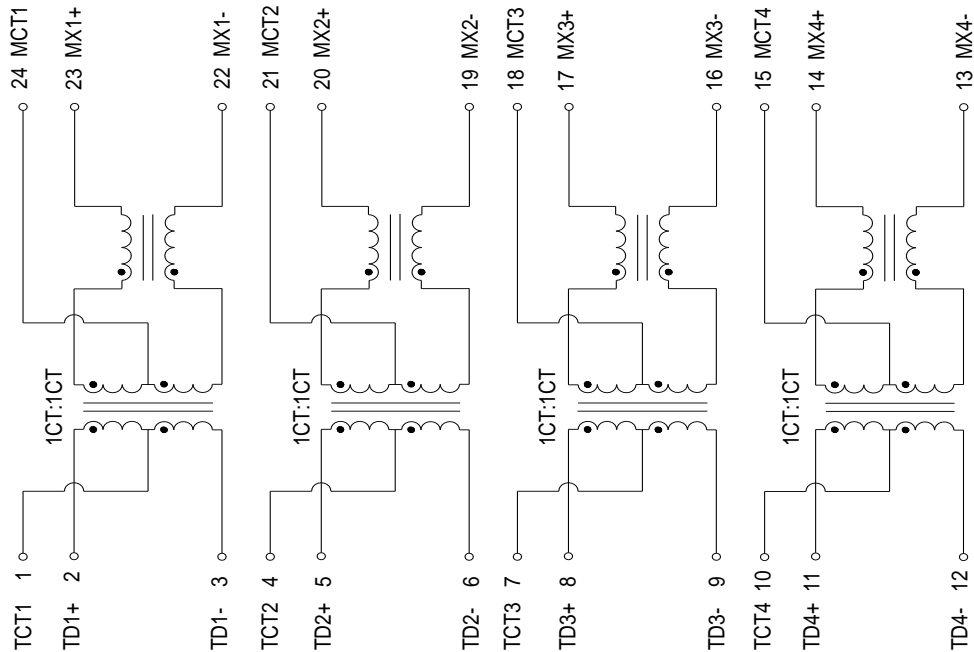
# 四川经纬达科技集团有限公司

Sichuan Jingweida Technology Group Co., Ltd

## A. MECHANICAL (unit:mm)



## B. SCHEMATICS



DESCRIPTION	JWD P/N	SPEC NO.	REV: R0
100/1000 BASE-T	SG24701T G	JWD-L-22199	PAGE: 2/5



# 四川经纬达科技集团有限公司

Sichuan Jingweida Technology Group Co., Ltd

## C. ELECTRICAL SPECIFICATIONS @25°C

1. OCL: 350uH Min @ 100 KHz, 0.1V with 8mA DC BIAS
2. Leakage Inductance: 0.5uH Max @ 100KHz, 0.1V
3. DCR: 1400mΩ Max
4. Turns Ratio: 1CT:1CT±5%
5. Insertion Loss: -1.1 dB Max @ 1-100 MHz
6. Return Loss: -18 dB Min @ 1-30 MHz
  - 14.4 dB Min @ 40 MHz
  - 13.1 dB Min @ 50 MHz
  - 12 dB Min @ 60-80 MHz
  - 10 dB Min @ 100MHz
7. Cross Talk: -30 dB Min @ 1-100 MHz
8. Common Mode Rejection: -30 dB Min @ 1-100 MHz
9. Isolation Hipot: 1500VAC 1mA 60S
10. Operating temperature -40°C to +85°C
11. Storage temperature -40°C to +85°C

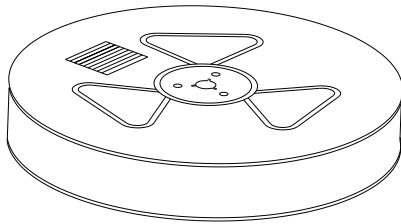
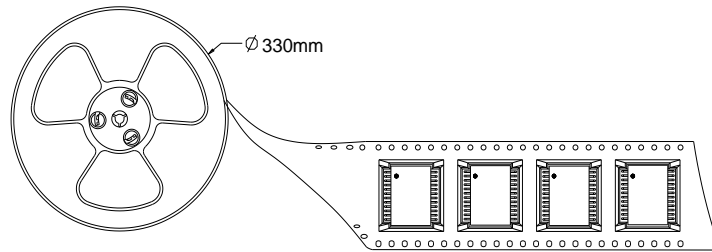
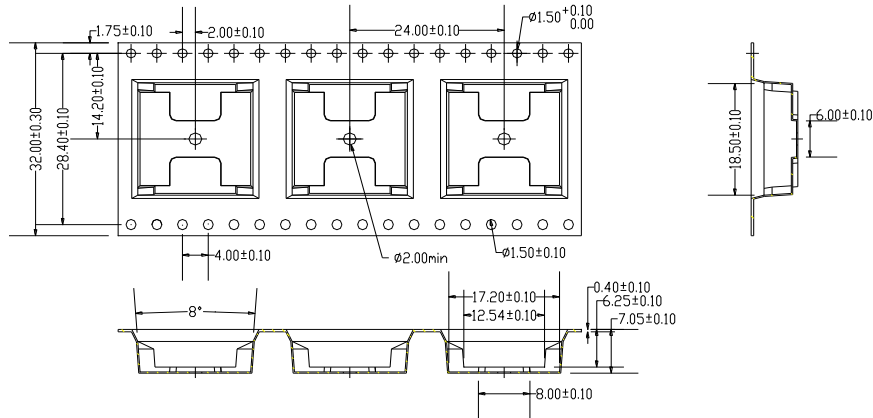
DESCRIPTION	JWD P/N	SPEC NO.	REV: R0
100/1000 BASE-T	SG24701T G	JWD-L-22199	PAGE: 3/5



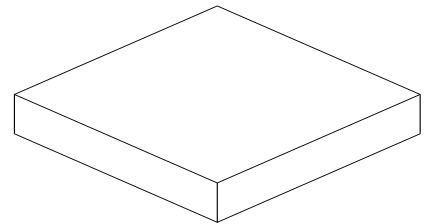
# 四川经纬达科技集团有限公司

Sichuan Jingweida Technology Group Co., Ltd

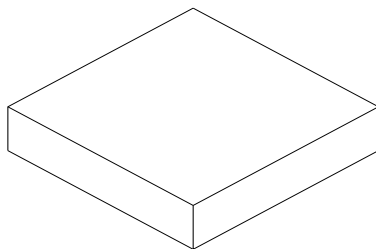
## D. PACKAGE INFORMATION



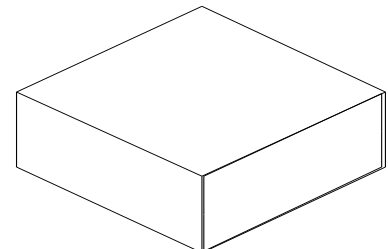
Two reel



Inner Carton



Five Inner Carton



Export Carton

Package Quantity:

One Reel=350Pcs

One Inner Carton=350\*2=700Pcs

One Export Carton=700\*5=3500Pcs

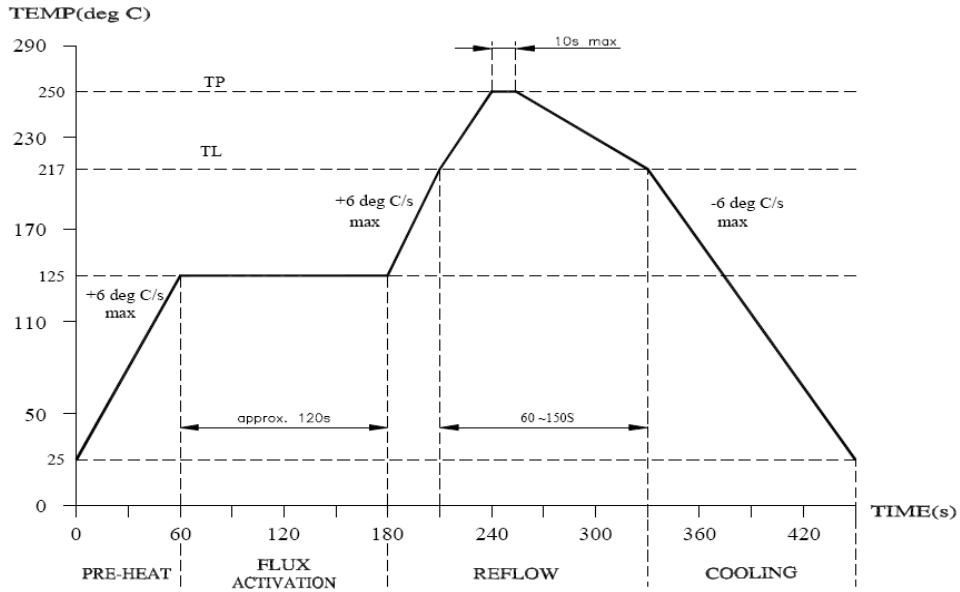
DESCRIPTION	JWD P/N	SPEC NO.	REV: R0
100/1000 BASE-T	SG24701T G	JWD-L-22199	PAGE: 4/5



# 四川经纬达科技集团有限公司

Sichuan Jingweida Technology Group Co., Ltd

## E. RECOMMEND REFLOW SOLDERING CURVE



DESCRIPTION	JWD P/N	SPEC NO.	REV: R0
100/1000 BASE-T	SG24701T G	JWD-L-22199	PAGE: 5/5