

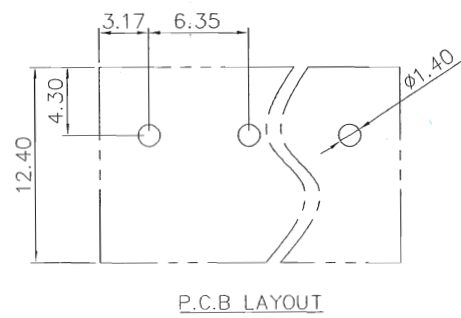
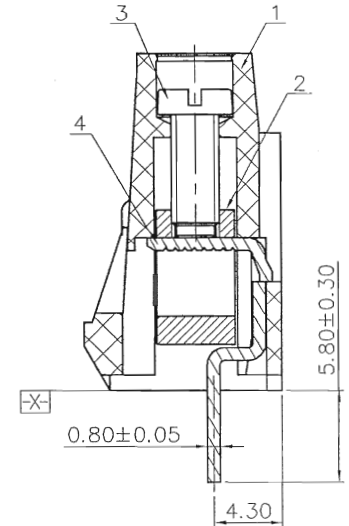
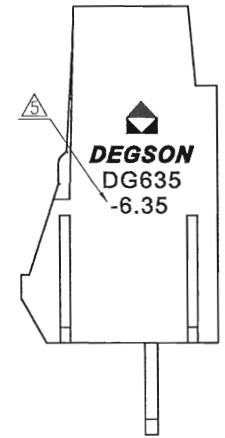
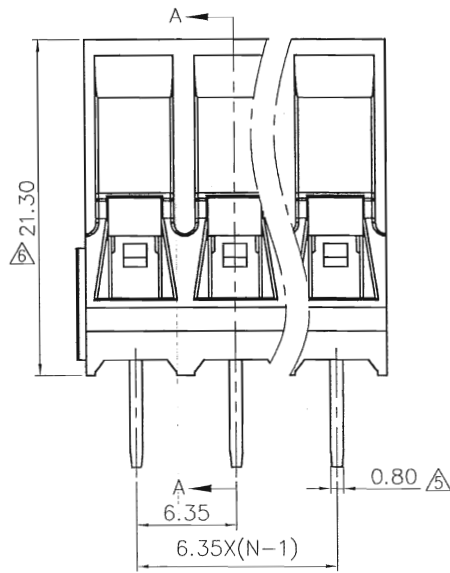
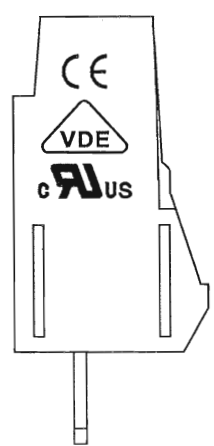
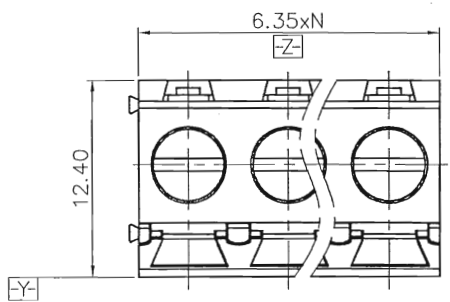
文管中心  
研发专用  
2015.05.12

(仅限内部使用, 对外无效)

REVISION RECORD				
REV	ECN	DESCRIPTION	DRFT	DATE
△4		增加VDE参数	LJH	01/09/08"
△5	11-0074	增加间距刻字及修改焊脚宽度	ZXX	04/13/11"
△6		图面更新	XGF	12/06/12"
△7	13-0176	BOM表螺丝品名更新	YJZ	10/09/13"
△8	15-0155	焊脚材质黄铜改为紫铜	Jay.z	05/03/15"

- NOTES:
1. DIMENSION SHALL BE INTERPRETED PER ASME Y14.5-2009.
  2. PITCH: 6.35MM, POLES: N=2-XXP
  3. RATED VOLTAGE/CURRENT: UL-300V/30A VDE 450V/32A
  4. OPERATION TEMPERATURES: -40°C~+105°C
  5. WITHSTANDING VOLTAGE: AC2500V/1MIN.
  6. WIRE RANGE: 26~10AWG, 4.0MM<sup>2</sup>
  7. TORQUE VALUE: M3,5.10kgf.cm
  8. UNDIMENSIONED TOLERANCES:

PITCH RANGE		NOMINAL DIMENSION RANGE						
IN MM		IN MM						
TO	OVER	TO	OVER	TO	OVER	TO	OVER	
6	10	6	10	30	60	100	150	OVER
10	24	30	60	100	150	150	150	OVER
±0.10	±0.15	±0.25	±0.20	±0.30	±0.50	±0.70	±1.00	0.05/10



ITEM	NAME OF PART	NO. OF PART	Q"TY	MATERIAL	NOTES
△4	DG635-Pin header	4030B00010(H)	XX	Copper	Sn plated
△3	DG635"-Screw	S000001690(H)	XX	Steel	Zn plated
2	DG950 Cage	X000000310(H)	XX	Brass	Ni plated
1	DG635-6.35 Housing	4030AYYXXA(H)	1	PA66	UL94V-0

DETACHED LISTS		MATERIAL:		NAME:	
TOLERANCES EXCEPT AS NOTED		FINISH:		DEGSON® 宁波高正电子有限公司 DEGSON ELECTRONICS CO., LTD	
.X ±	.X' ±	PART NO.:		NAME: DG635-6.35-XXP-1Y-00A(H)	
.XX ±	.XX' ±	APPD: Aaron 5/8/15		TITLE: ASSEMBLY DRAWING	
.XXX ±	.XXX' ±	CHKD: Jea 5/8/15		DRAWING NO.: DG635-6.35-E01	
ANGLES ± 1'		DRFT: Haoyh 05/07/05"		DO NOT SCALE DRAWING	
THIRD ANGLE PROJECTION		SCALE: N/A		REV	T8
				SHEET 1/1	