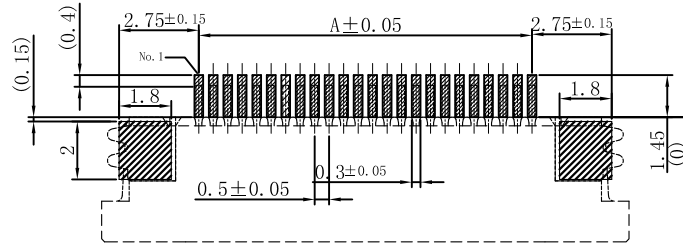
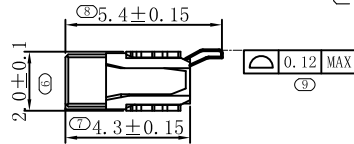
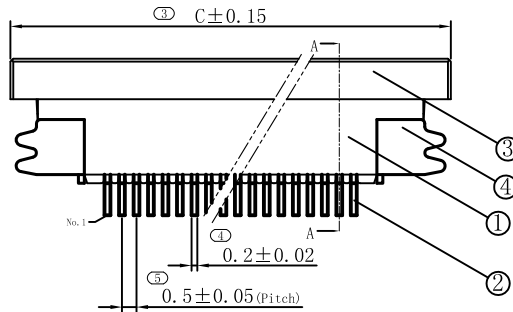
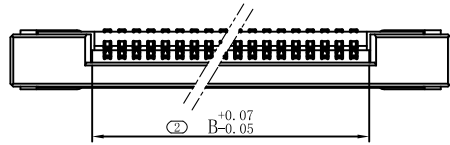
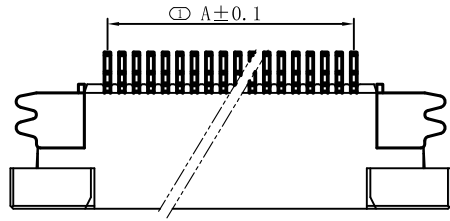
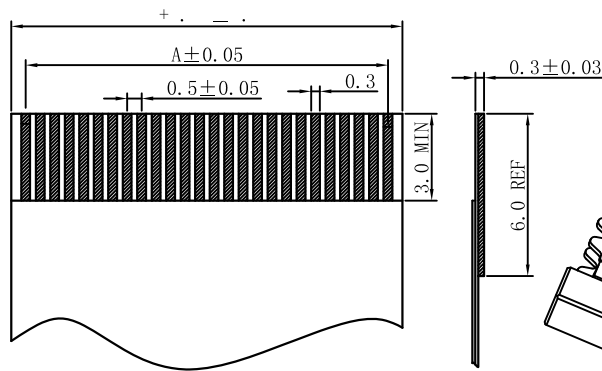


Engineer Drawing



通用线路板
RECOMMENDED PCB LAYOUT



适用FPC寸法
APPLICABLE FPC

NOTES:

1. MATERIAL SEE TABLE;
2. PLATING SEE TABLE;
3. RATING
- 3-1. OPERATING TEMPERATURE: -25~85°C
- 3-2. OPERATING VOLTAGE: 125V AC/DC
- 3-3. CURRENT RATING: 1.0 AMPS
- 3-4. DIELECTRIC WITHSTANDING VOLTAGE: 500V AC/Minute;
- 3-5. INSULATION RESISTANCE: 500MΩ Min;
- 3-6. CONTACT RESISTANCE: 0.03Ω Max;

IPFP05201 ** * * * *
① ② ③ ④ ⑤ ⑥

- ① Series Type
- ② Pin code.
- ③ Plating
- ④ Company code.
- ⑤ Packing
- ⑥ Lead Free HF

CKT	Dim A	Dim B	Dim C	CKT	Dim A	Dim B	Dim C
4	1.5	2.56	8.2	33	16	17.06	22.7
5	2	3.06	8.7	34	16.5	17.56	23.2
6	2.5	3.56	9.2	35	17	18.06	23.7
7	3	4.06	9.7	36	17.5	18.56	24.2
8	3.5	4.56	10.2	37	18	19.06	24.7
9	4	5.06	10.7	38	18.5	19.56	25.2
10	4.5	5.56	11.2	39	19	20.06	25.7
11	5	6.06	11.7	40	19.5	20.56	26.2
12	5.5	6.56	12.2	41	20	21.06	26.7
13	6	7.06	12.7	42	20.5	21.56	27.2
14	6.5	7.56	13.2	43	21	22.06	27.7
15	7	8.06	13.7	44	21.5	22.56	28.2
16	7.5	8.56	14.2	45	22	23.06	28.7
17	8	9.06	14.7	46	22.5	23.56	29.2
18	8.5	9.56	15.2	47	23	24.06	29.7
19	9	10.06	15.7	48	23.5	24.56	30.2
20	9.5	10.56	16.2	49	24	25.06	30.7
21	10	11.06	16.7	50	24.5	25.56	31.2
22	10.5	11.56	17.2	51	25	26.06	31.7
23	11	12.06	17.7	52	25.5	26.56	32.2
24	11.5	12.56	18.2	53	26	27.06	32.7
25	12	13.06	18.7	54	26.5	27.56	33.2
26	12.5	13.56	19.2	55	27	28.06	33.7
27	13	14.06	19.7	56	27.5	28.56	34.2
28	13.5	14.56	20.2	57	28	29.06	34.7
29	14	15.06	20.7	58	28.5	29.56	35.2
30	14.5	15.56	21.2	59	29	30.06	35.7
31	15	16.06	21.7	60	29.5	30.56	36.2
32	15.5	16.56	22.2				

TOLERANCE		www.i-ncp.com	
0.X ±0.25 X° ±3° 0.XX ±0.12 0.XXX ±0.05 X.X° ±0.5°			
UNLESS OTHERWISE SPECIFIED	PART NO. IPFP05201 xx	TITLE: 0.5 FPC CONN ZIF SMT DRAWER H=2.0 LOWER CONTACT	
	DRAWING NO. IPFP05201	SHEET 1 OF 1	UNITS mm SCALE 1:1 REV. 01