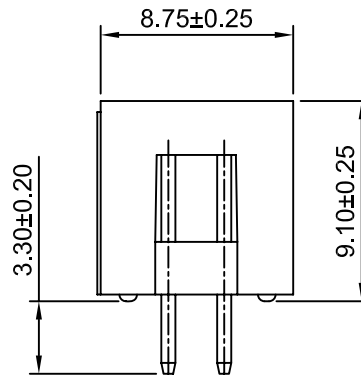
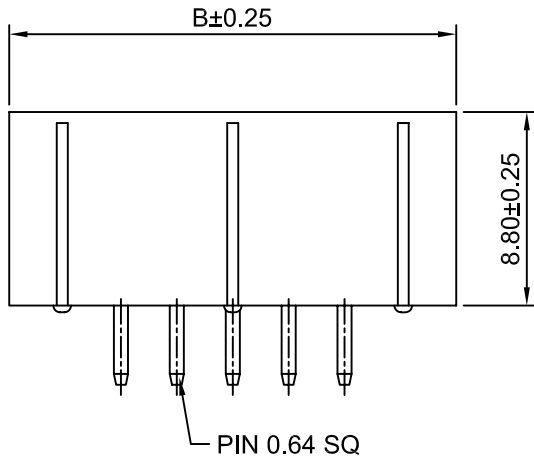


Ordering Information:
A2547WV-N-2xXP - ***
1 2

- 1.Part No.
2.Finish:
(blank):Gold over Nickel(Au:1u")
G3:Gold over Nickel(Au:3u")
G15:Gold over Nickel(Au:15u")
G30:Gold over Nickel(Au:30u")



SPECIFICATIONS:
Current Rating: 3A AC,DC
Voltage Rating: 250V AC,DC
Temperature Range: -40°C ~ +105°C
Contact Resistance: 20mΩ Max
Insulation Resistance: 1000MΩ Min
Withstanding Voltage: 1500V AC/minute
Pin Material: Brass/Gold over Nickel
Material: PBT,UL94V-0(Black)

Ordering Information & Dimensions

Circuits	Dimensions(mm)		Circuits	Dimensions(mm)	
	A	B		A	B
2x3P	5.08	15.24	2x22P	53.34	63.50
2x4P	7.62	17.78	2x23P	55.88	66.04
2x5P	10.16	20.32	2x24P	58.42	68.58
2x6P	12.70	22.86	2x25P	60.96	71.12
2x7P	15.24	25.40	2x26P	63.50	73.66
2x8P	17.78	27.94	2x27P	66.04	76.20
2x9P	20.32	30.48	2x28P	68.58	78.74
2x10P	22.86	33.02	2x29P	71.12	81.28
2x11P	25.40	35.56	2x30P	73.66	83.82
2x12P	27.94	38.10	2x31P	76.20	86.36
2x13P	30.48	40.64	2x32P	78.74	88.90
2x14P	33.02	43.18	2x33P	81.28	91.44
2x15P	35.56	45.72	2x34P	83.82	93.98
2x16P	38.10	48.26	2x35P	86.36	96.52
2x17P	40.64	50.80	2x36P	88.90	99.06
2x18P	43.18	53.34	2x37P	91.44	101.60
2x19P	45.72	55.88	2x38P	93.98	104.14
2x20P	48.26	58.42	2x39P	96.52	106.68
2x21P	50.80	60.96	2x40P	99.06	109.22

CJTconn CHANGJIANG CONNECTORS CO.,LTD.

Unit	Scale	Sheet
mm	3:1	1 of 1
Draw BY:	Approved :	
Tony Su	Jack Yin	

Title :
2.54mm Pitch
180° Box Header

REV	DESCRIPTION	DATE	General Tolerance	ANGLE±
A0	NEW RELEASE	2005.07.01	x.x≤0.25 x.xx≤0.20 x.xxx≤0.15	
REV	DESCRIPTION	DATE		

DRAW NO : **A2547WV-N-2xXP** REV A0