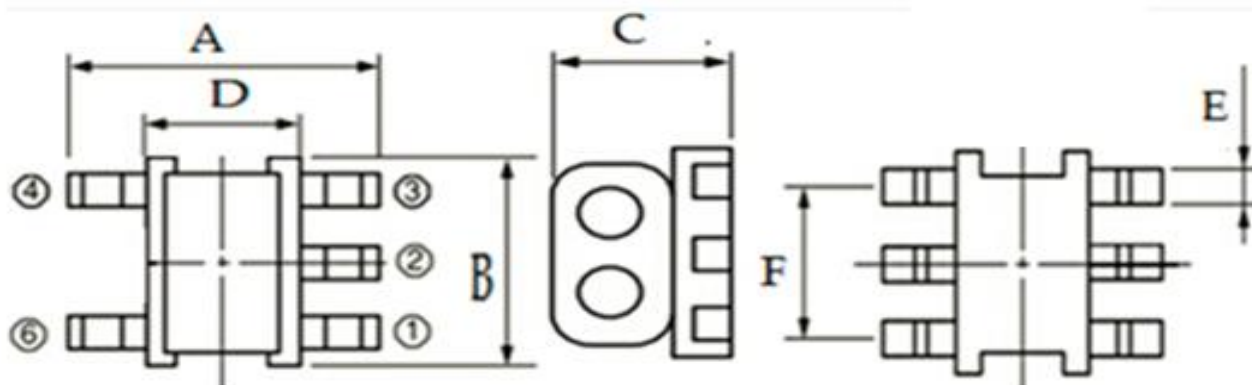


RF Balun Transformer, 4:1CT Flux Coupled Transformer
Features::

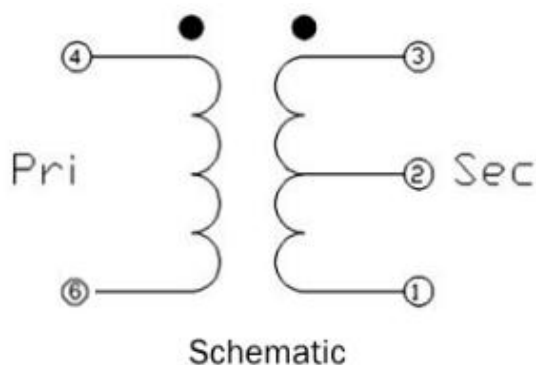
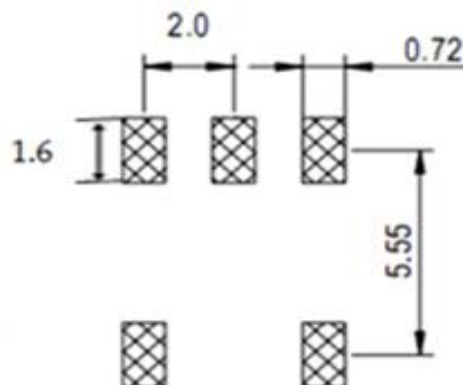
- ◆ 4:1CT Impedance
- ◆ 75 Ω Characteristic Impedance
- ◆ Frequency: 5 to 200 MHz
- ◆ RF power: 1.0W
- ◆ DC current: 500mA
- ◆ Operating temperature range: -40 °C to +85 °C
- ◆ Storage temperature range: -55 °C to +100 °C

Applications:

- ◆ For broadband and wireless communications
- ◆ For VHF/UHF receivers/transmitters and push-pull amplifiers

Dimension Diagram (Unit:mm) :


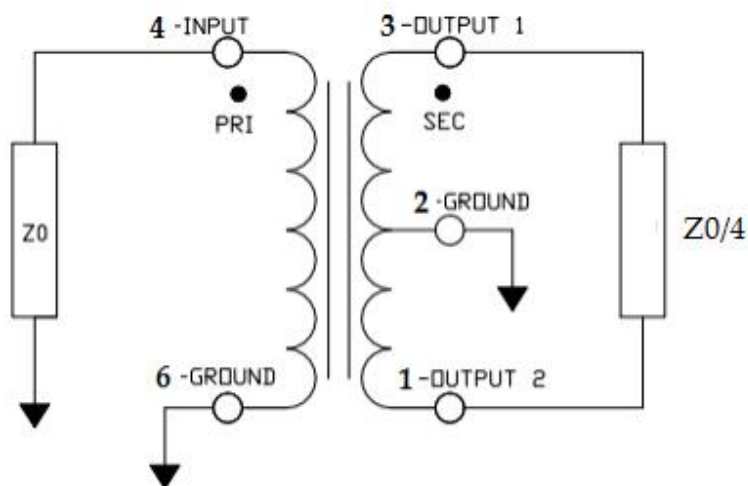
$$A=6.30\pm 0.20 \quad B=6.10\pm 0.20 \quad C=4.50\pm 0.20 \quad D=4.00\pm 0.20 \quad E=0.60\pm 0.05 \quad F=4.00\pm 0.10$$

Electrical structure:

Recommended layout:


Pin configuration

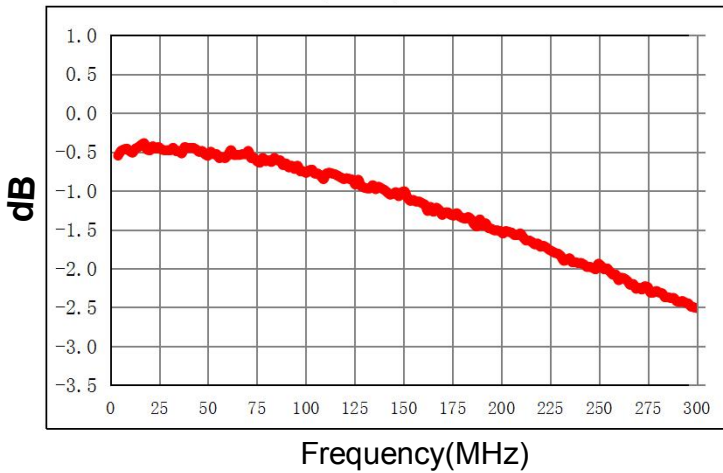
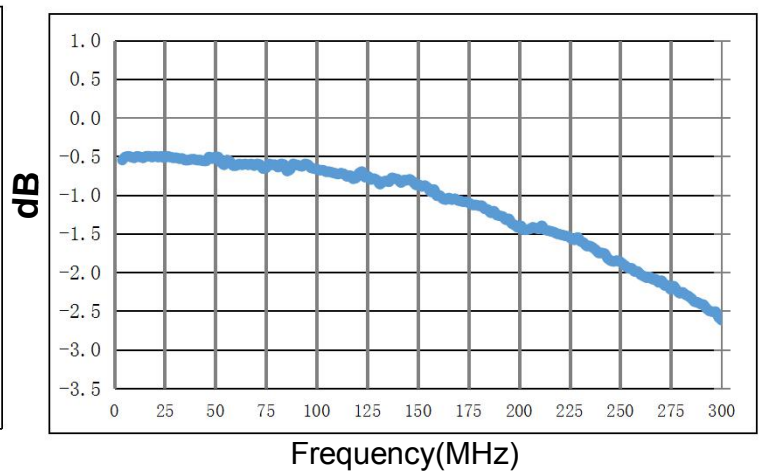
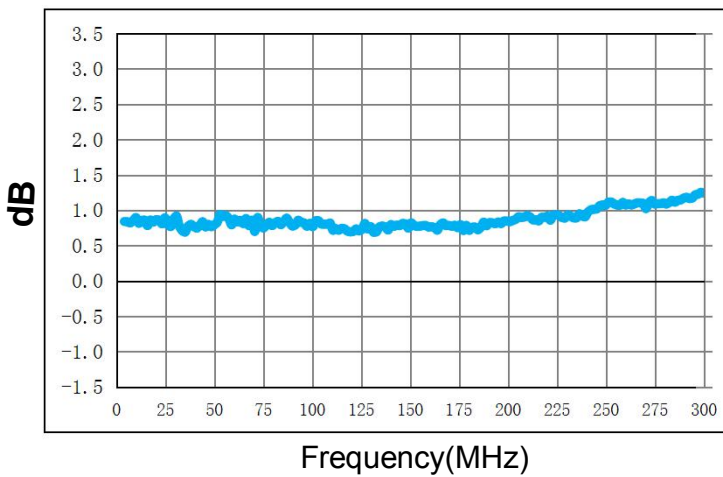
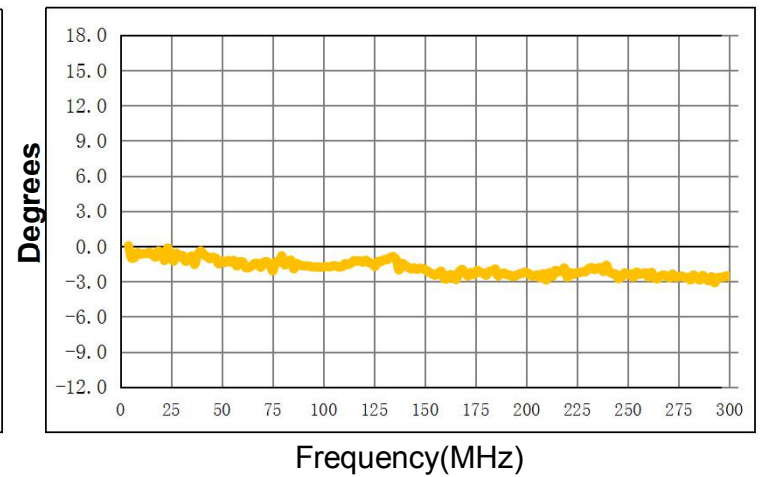
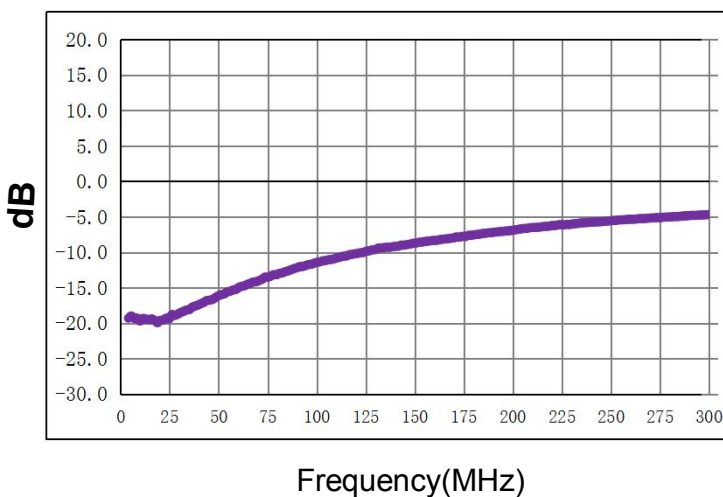
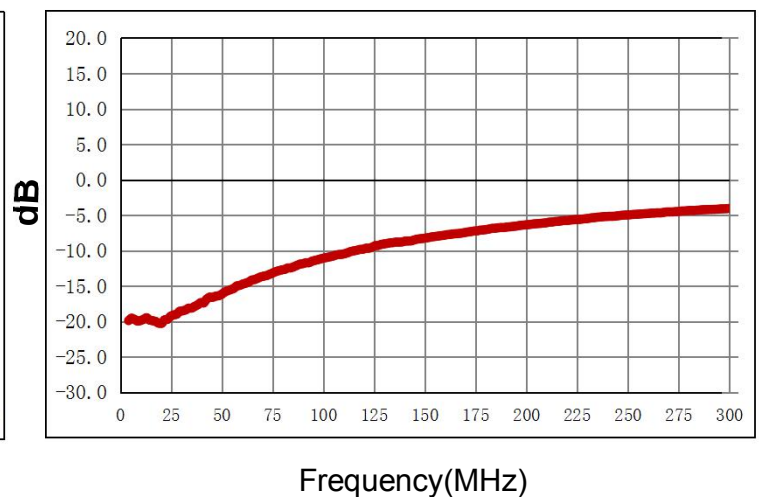
Pin no.	Function
1	Secondary (Output 2)
2	Centre tap (Ground)
3	Secondary dot (Output 1)
4	Primary dot (Input)
6	Primary (Ground)

Application circuit :



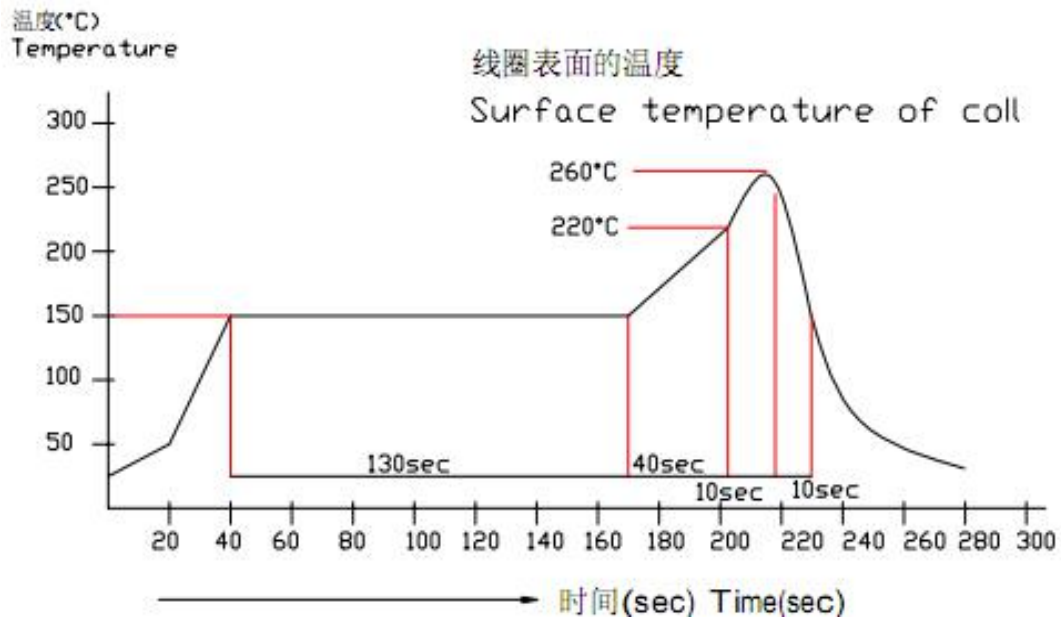
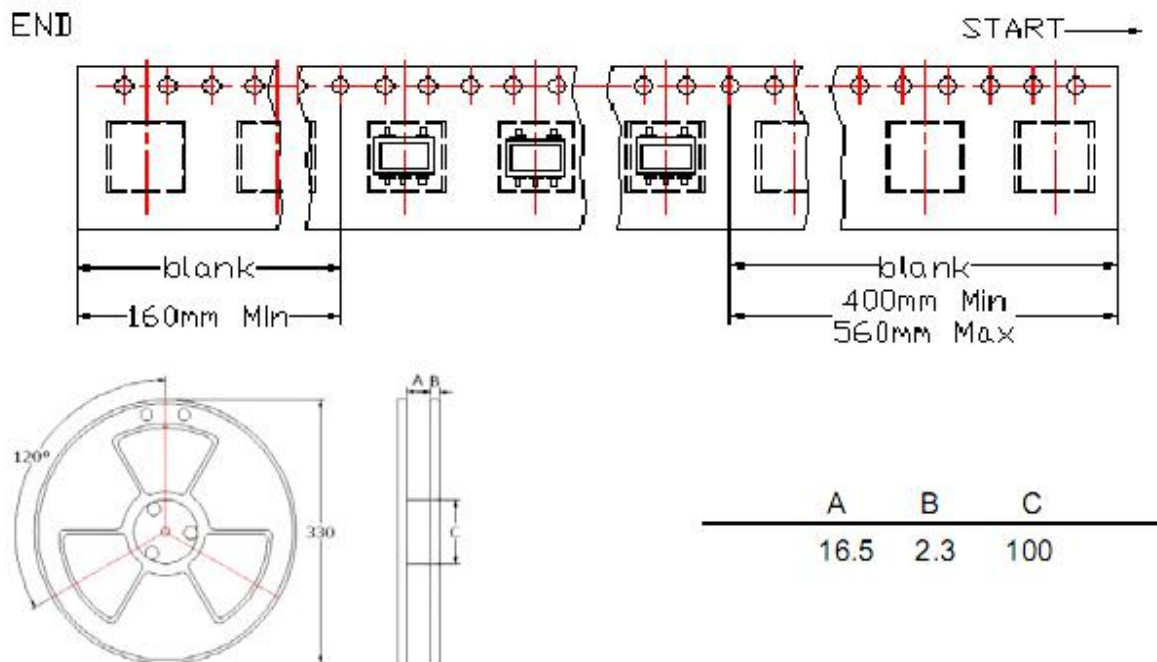
Electrical Specifications: $T_A = 25^\circ\text{C}$ $Z_0 = 75\Omega$

Parameter	Test Conditions	Units	Min	Typ	Max
Main line Loss(out1)	5-200MHz	dB	—	0.5	3.0
Main line Loss(out2)	5-200MHz	dB	—	0.5	3.0
Amplitude Balance	5-200MHz	dB	—	0.6	1.2
Phase Balance	5-200MHz	Degrees	—	1.2	± 6.0
Input Return Loss	5-200MHz	dB	3.0	10.0	—

Main line Loss(out1)

Main line Loss(out2)

Amplitude Balance

Phase Balance

Input Return Loss

Sdd22


Recommended Soldering Temperature Graph:

建议迴焊条件
The condition of reflow
(Recommendation)


Packging Dimension For Caeer Tape(UNIT:mm):

QUANTITY

1,000PCS/Reel

3Reels/Middle Carton

5 Middle Cartons/Big Carton/15,000pcs