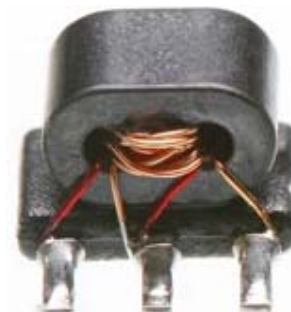


RF Balun Transformer, 1: 1CT Flux Coupled Transformer

Features::

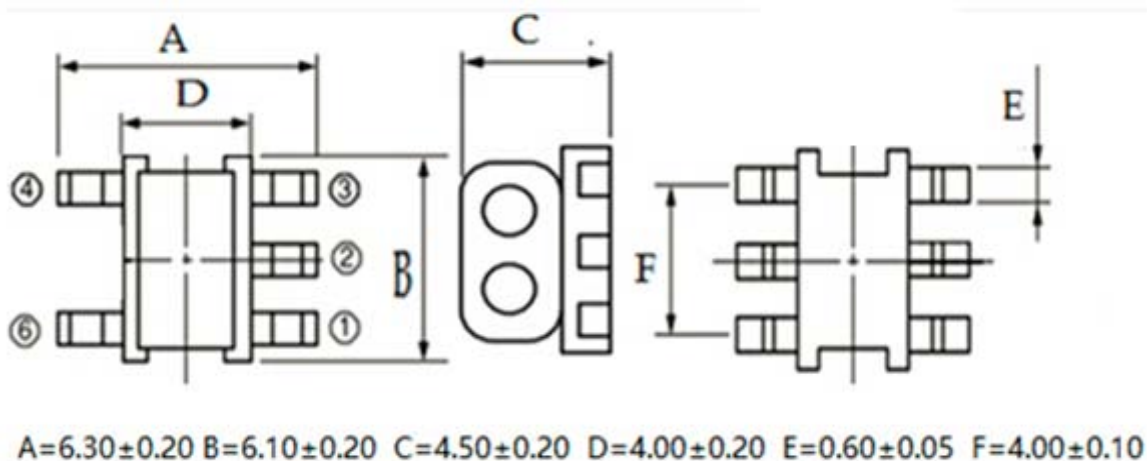
- ◆ 1: 1 Impedance
- ◆ 75 Ω Characteristic Impedance
- ◆ Frequency: 5 to 100 MHz
- ◆ RF power: 0.50W
- ◆ DC current: 30mA
- ◆ Insertion loss: 2.0dB Max; Input Return loss: 10.0dB Min
- ◆ Operating temperature range: -40°C to +85°C
- ◆ Storage temperature range: -55°C to +100°C



Applications:

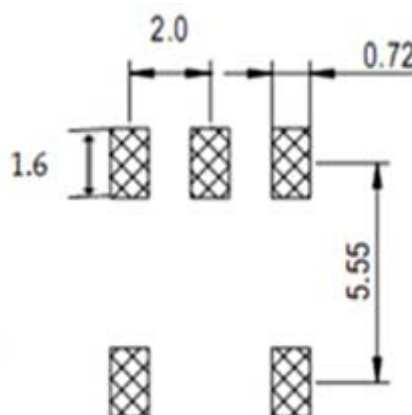
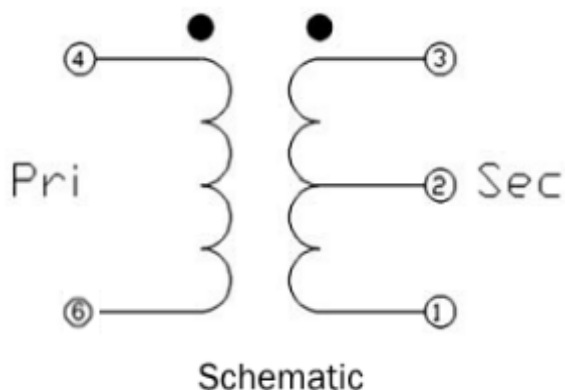
- ◆ For broadband and wireless communications
- ◆ For VHF/UHF receivers/transmitters and push-pull amplifiers

Dimension Diagram (Unit:mm) :



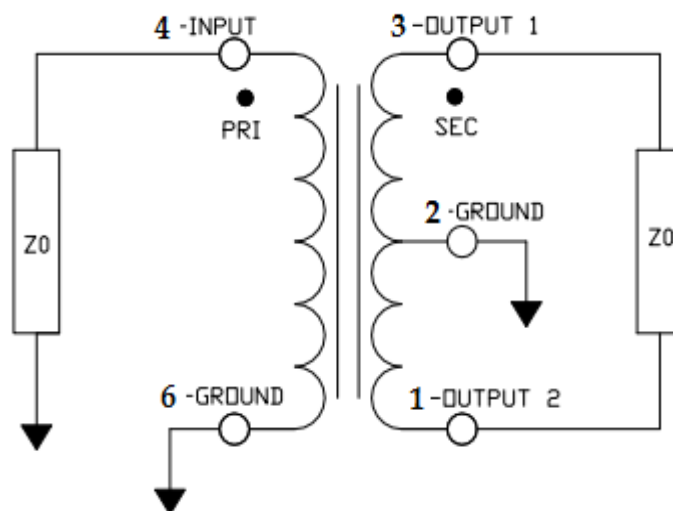
Electrical structure:

Recommended layout:



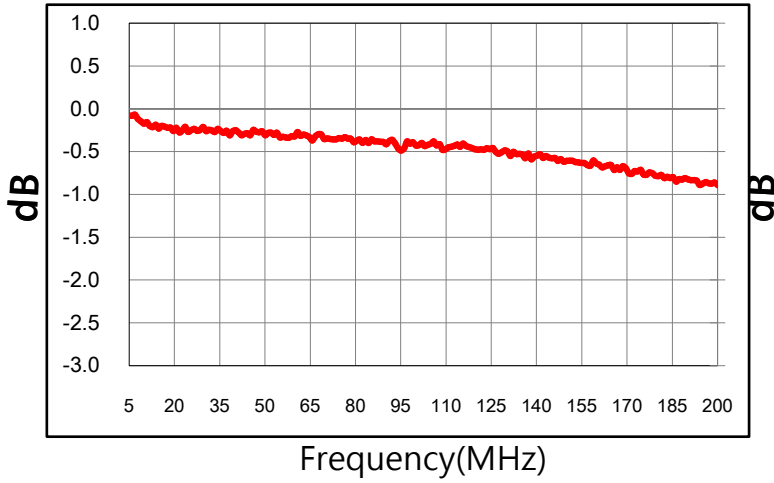
Pin configuration

Pin no.	Function
1	Secondary (Output 2)
2	Centre tap (Ground)
3	Secondary dot (Output 1)
4	Primary dot (Input)
6	Primary (Ground)

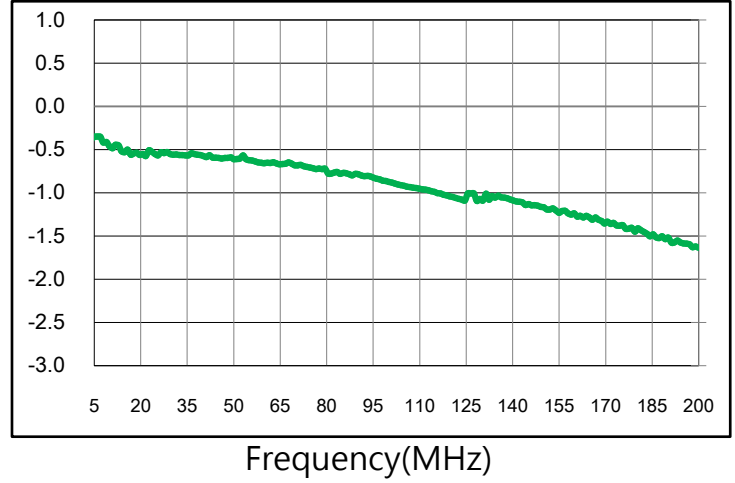
Application circuit :

Electrical Specifications: $T_A = 25^\circ\text{C}$ $Z_0 = 75\Omega$

Parameter	Test Conditions	Units	Min	Typ	Max
Main line Loss(out1)	5-100MHz	dB	—	0.5	1.5
Main line Loss(out2)	5-100MHz	dB	—	1.0	2.0
Amplitude Balance	5-100MHz	dB	—	± 0.5	± 0.5
Phase Balance	5-100MHz	Degrees	—	± 1.0	± 3.0
Input Return Loss	5-100MHz	dB	10.0	15.0	—

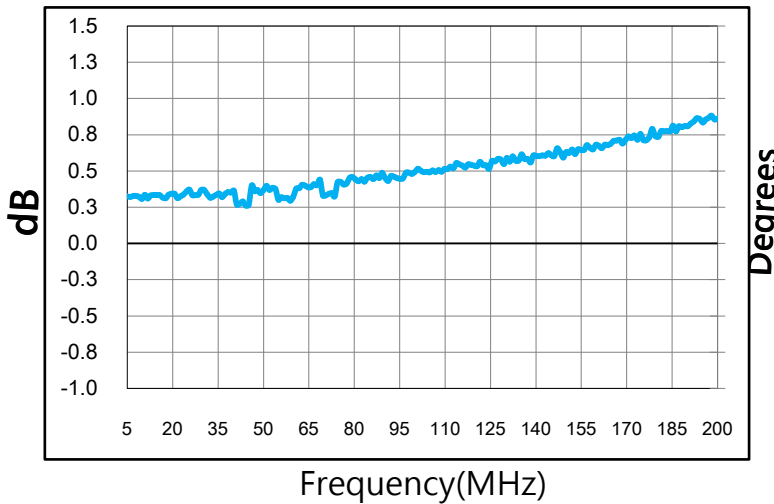
Main line Loss(out1)



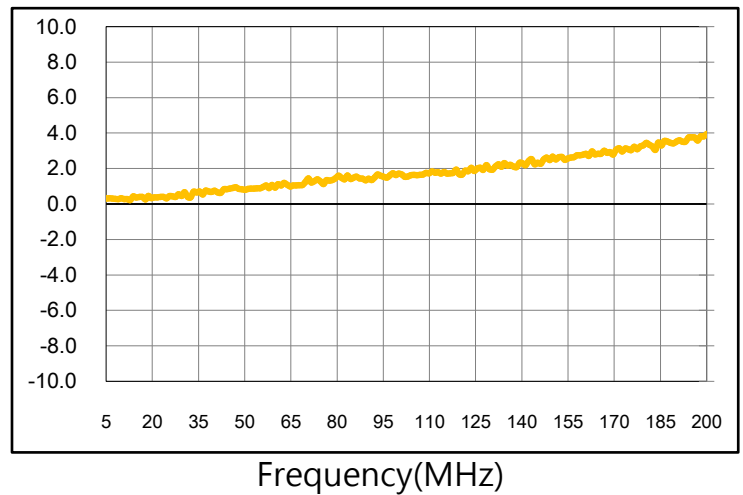
Main line Loss(out2)



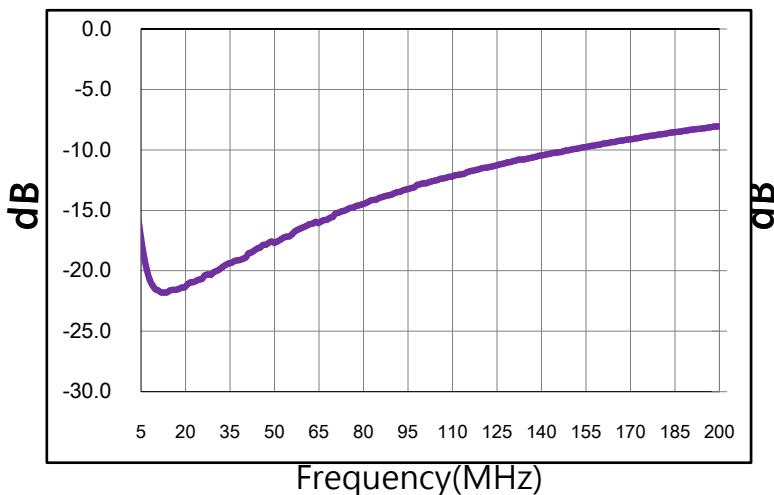
Amplitude Balance



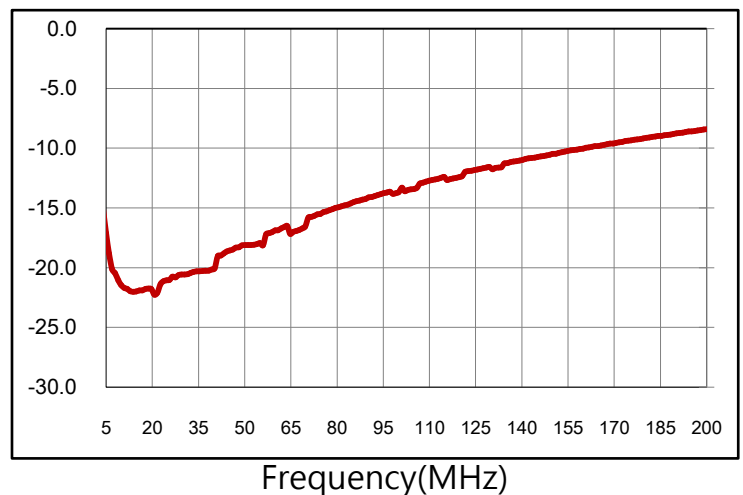
Phase Balance



Input Return Loss



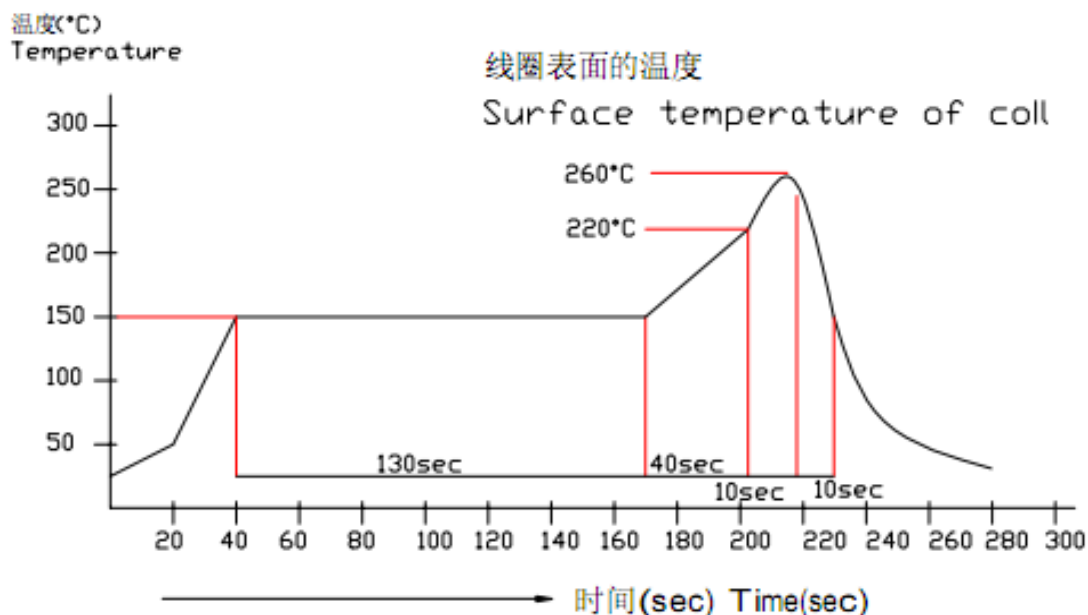
Sdd22



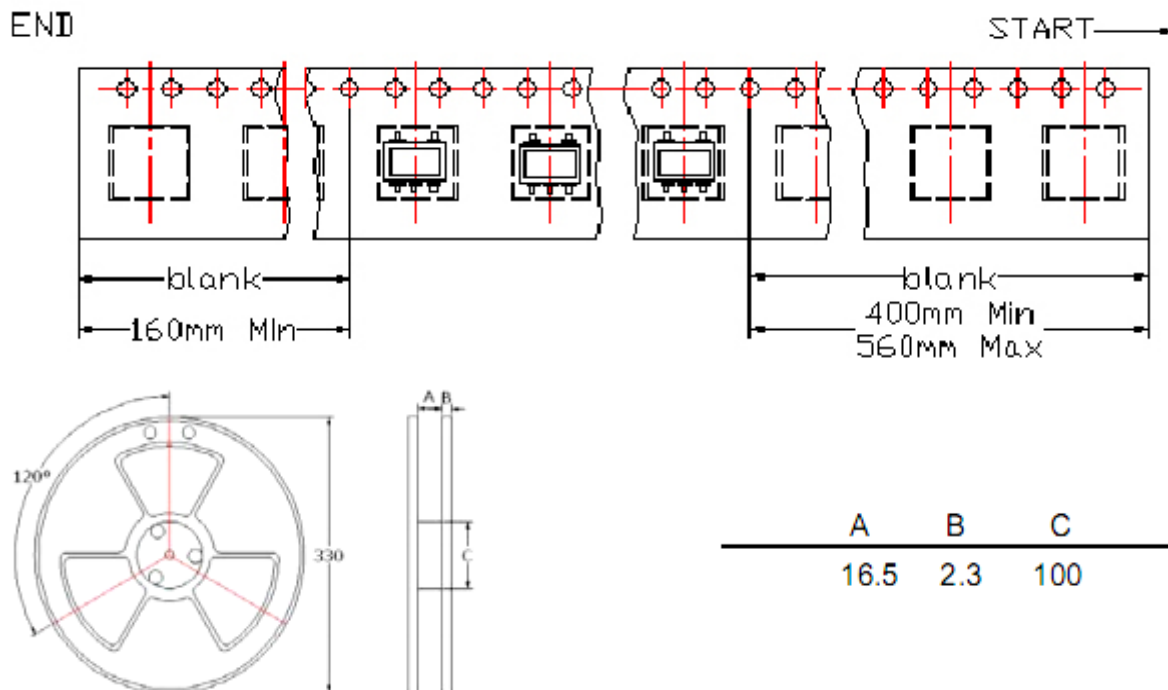
Recommended Soldering Temperature Graph:

建议迴焊条件

The condition of reflow
(Recommendation)



Packging Dimension For Caeier Tape(UNIT:mm):



QUANTITY

1,000PCS/Reel

3Reels/Middle Carton

5 Middle Cartons/Big Carton/15,000pcs