

## 适用于高达 90W 的 LED 照明的单级高 PF、低 THD 恒压/恒流 AC/DC 控制器

### 1 说明

iW3671 是一款具有功率因数校正 (PFC) 功能的单级高性能 AC/DC 原边反馈 PWM 控制器。该 IC 支持高达 90W 输出功率，针对反激和升降压拓扑。iW3671 支持不同类型的负载，包括恒定功率 (CP) 负载，例如次级 DC/DC 转换器；恒定电阻 (CR) 负载，例如 LED 灯带。

iW3671 采用 Dialog 的 **PrimAccurate™** 技术，在各种 AC 电压和负载条件下提供精确的恒压 (CV) 和恒流 (CC) 控制。该器件采用数字控制，因此无需外部环路补偿，同时可在所有工作条件下保持环路稳定。凭借 Dialog 专利的 **PF-Boost™** 技术，在整个 AC 电压范围内，当负载为 50% 或更大时，iW3671 的功率因数 (PF) 大于 0.9，总谐波失真 (THD) 低于 20%。

在 CV 模式下，iW3671 可以实现低于 150mW 的待机功耗，同时保持出色的负载瞬态响应。此外，在负载瞬态或启动期间没有可听噪声，而大多数 PFC CV 控制器通常不具备这一优势。iW3671 具有快速启动电路和快速起机控制功能，启动时间不足 0.25s。

iW3671 还具有各种保护功能，如输出过压、输出短路、AC 过压、AC 欠压、电流检测电阻短路、过流及过温保护。这样可确保出色的系统可靠性。

### 2 功能特性

- AC 输入电压范围：90V<sub>AC</sub> ~ 305V<sub>AC</sub>
- 采用微型 SOT-23 封装，支持高达 90W 的输出功率
- CV 模式 AC 输入电压和负载调节 < ±3%
- CC 模式 AC 输入电压和负载调节 < ±5%
- 在整个 AC 电压范围内，当负载大于 50% 时，PF > 0.9，THD < 20%
- 快速启动时间 < 0.25s
- 当输入电压为 230V<sub>AC</sub>、功率最高为 90W，且采用外部快速启动 DFET 电路时，待机功耗 < 150mW
- 在各种 AC 电压和负载条件下，以及负载瞬态或启动期间，可听噪声均为零
- 宽工作电源电压 (V<sub>VCC</sub>) 范围：8.0V 至 20V
- 全面的保护功能
  - » 输出过压保护
  - » 输出短路保护
  - » AC 过压保护
  - » AC 欠压保护
  - » 逐开关周期峰值电流限制
  - » 电流检测电阻短路保护
  - » 过温保护

### 3 应用

- 两级或单级 LED 照明驱动器
- 需要功率因数的 AC-DC 适配器、电视、显示器电源

适用于高达 90W 的 LED 照明的单级高 PF、低 THD 恒压/恒流 AC/DC 控制器

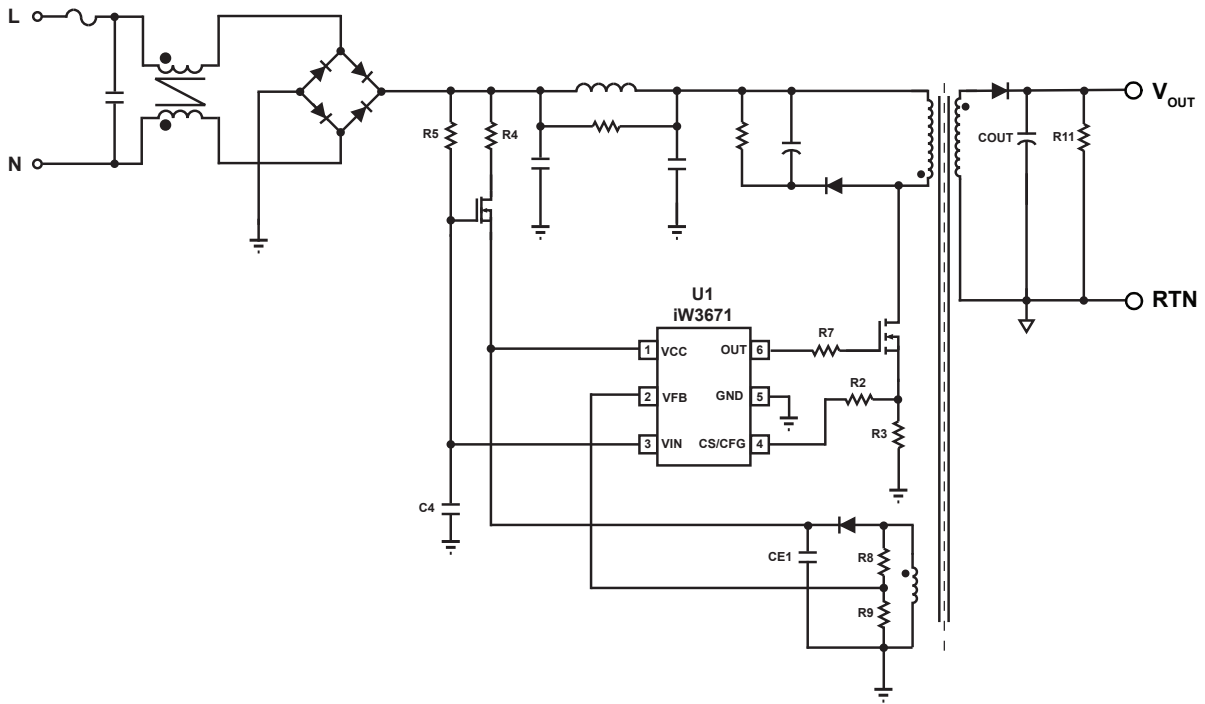


图 3.1 : iW3671 LED电源的典型应用

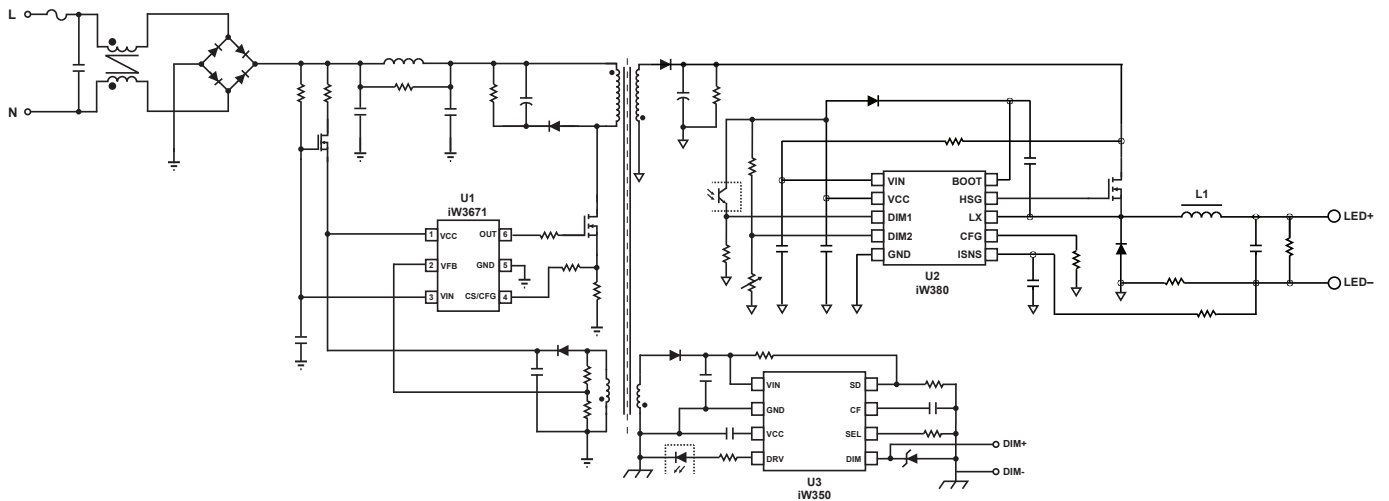


图 3.2 : 适用于可调光 LED 驱动器 (配合 iW350) 的

## 适用于高达 90W 的 LED 照明的单级高 PF、低 THD 恒压/恒流 AC/DC 控制器

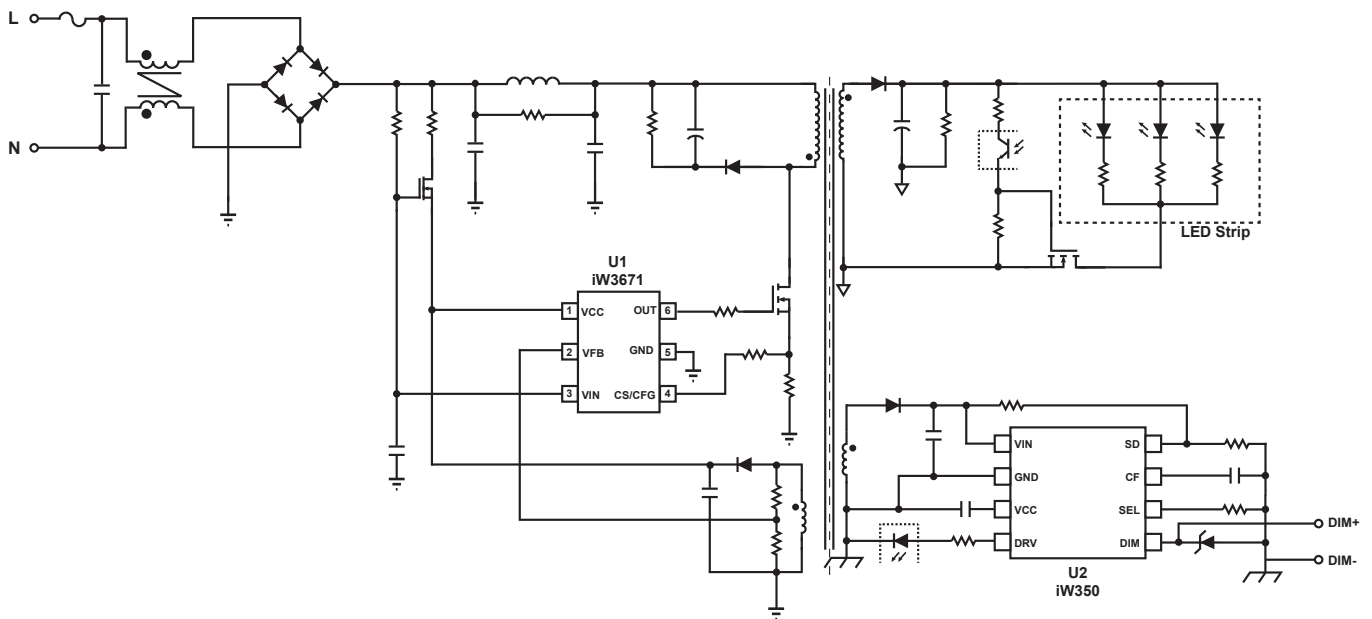


图 3.3 : 适用于可调光 LED 灯带驱动器 (配合 iW350) 的 iW3671 应用

### 4 引脚分配说明

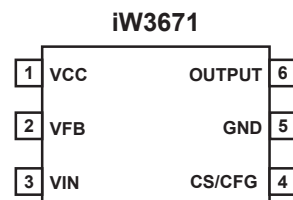


图 4.1 : 6 引脚 SOT23 封装

引脚编号	引脚名称	类型	引脚说明
1	VCC	电源输入	IC 电源。
2	VFB	模拟输入	输出电压和变压器退磁检测。
3	VIN	模拟输入	输入 AC 电压检测。
4	CS/CFG	模拟输入	功率 MOSFET 电流检测和配置。
5	GND	接地	接地。
6	OUTPUT	模拟输出	功率 MOSFET 栅极驱动。

## 适用于高达 90W 的 LED 照明的单级高 PF、低 THD 恒压/恒流 AC/DC 控制器

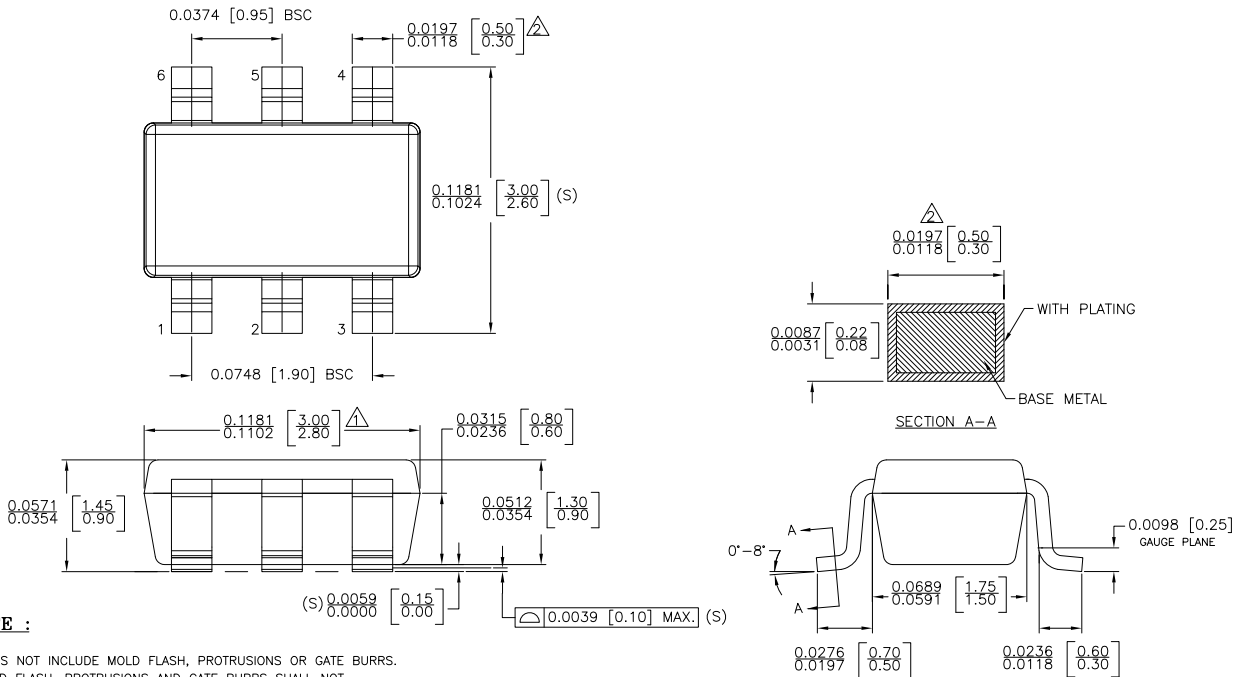
### 5 绝对最大额定值

绝对最大额定值是参数值或范围，如果超过绝对最大额定值，可能导致永久性损坏。

参数	符号	值	单位
DC supply voltage range (pin 1, $I_{VCC} = 20\text{mA max}$ )	$V_{VCC}$	-0.3 to 22.0	V
Continuous DC supply current at VCC pin ( $V_{VCC} = 15\text{V}$ )	$I_{VCC}$	20	mA
$V_{VIN}$ (pin 3)		-0.3 to 20.0	V
OUTPUT (pin 6)		-0.3 to 20.0	V
$V_{VFB}$ (pin 2, $I_{VFB} \leq 10\text{mA}$ )		-0.7 to 5.0	V
CS/CFG input (pin 4)		-0.3 to 5.0	V
Maximum junction temperature	$T_{JMAX}$	150	°C
Operating junction temperature	$T_{JOPT}$	-40 to 150	°C
Storage temperature	$T_{STG}$	-65 to 150	°C
Thermal resistance junction-to-ambient	$\theta_{JA}$	100	°C/W
ESD rating per JEDEC JS-001-2017		$\pm 2,000$	V
Latch-up test per JESD78E		$\pm 100$	mA

## 适用于高达 90W 的 LED 照明的单级高 PF、低 THD 恒压/恒流 AC/DC 控制器

## 6 外形尺寸



## NOTE :

1.  $\Delta$  DOES NOT INCLUDE MOLD FLASH, PROTRUSIONS OR GATE BURRS. MOLD FLASH, PROTRUSIONS AND GATE BURRS SHALL NOT EXCEED 0.127 MM PER SIDE.
2.  $\Delta$  DOES NOT INCLUDE INTER-LEAD FLASH OR PROTRUSIONS. INTER-LEAD FLASH AND PROTRUSIONS SHALL NOT EXCEED 0.127 MM PER SIDE.
3. DIE IS FACING UP FOR MOLD. DIE IS FACING DOWN FOR TRIM/FORM.
4. THIS PART IS COMPLIANT WITH EIAJ SPECIFICATION SC74A AND JEDEC SPECIFICATION MO-178AB.
5. LEAD SPAN/STAND OFF HEIGHT/COPLANARITY ARE CONSIDERED AS SPECIAL CHARACTERISTIC(S).
6. CONTROLLING DIMENSIONS IN INCHES. [mm]

STATUS: RELEASED	SCALE: DO NOT SCALE	
TERMINAL FINISH: 100% Sn or NiPdAu (PPF)		
TITLE: 6 SOT23 PACKAGE OUTLINE		
REV: A	REVISION NOTE: NEW DRAWING	DATE: 02-MAR-2015

## 7 订购信息

部件编号	说明	封装	说明
iW3671-001 iW3671-00C	针对单级或双级 CV 应用优化	SOT-23	卷带 <sup>2</sup>

注 1: 不建议用于新设计, 请使用-xxC版本

注 2: 卷带封装数量为 3,000 件/卷。最小封装数量为 3,000 件。

## IMPORTANT NOTICE AND DISCLAIMER

RENESAS ELECTRONICS CORPORATION AND ITS SUBSIDIARIES (“RENESAS”) PROVIDES TECHNICAL SPECIFICATIONS AND RELIABILITY DATA (INCLUDING DATASHEETS), DESIGN RESOURCES (INCLUDING REFERENCE DESIGNS), APPLICATION OR OTHER DESIGN ADVICE, WEB TOOLS, SAFETY INFORMATION, AND OTHER RESOURCES “AS IS” AND WITH ALL FAULTS, AND DISCLAIMS ALL WARRANTIES, EXPRESS OR IMPLIED, INCLUDING, WITHOUT LIMITATION, ANY IMPLIED WARRANTIES OF MERCHANTABILITY, FITNESS FOR A PARTICULAR PURPOSE, OR NON-INFRINGEMENT OF THIRD PARTY INTELLECTUAL PROPERTY RIGHTS.

These resources are intended for developers skilled in the art designing with Renesas products. You are solely responsible for (1) selecting the appropriate products for your application, (2) designing, validating, and testing your application, and (3) ensuring your application meets applicable standards, and any other safety, security, or other requirements. These resources are subject to change without notice. Renesas grants you permission to use these resources only for development of an application that uses Renesas products. Other reproduction or use of these resources is strictly prohibited. No license is granted to any other Renesas intellectual property or to any third party intellectual property. Renesas disclaims responsibility for, and you will fully indemnify Renesas and its representatives against, any claims, damages, costs, losses, or liabilities arising out of your use of these resources. Renesas’ products are provided only subject to Renesas’ Terms and Conditions of Sale or other applicable terms agreed to in writing. No use of any Renesas resources expands or otherwise alters any applicable warranties or warranty disclaimers for these products.

© 2022 Renesas Electronics Corporation. All rights reserved.

## RoHS Compliance

Dialog Semiconductor’s suppliers certify that its products are in compliance with the requirements of Directive 2011/65/EU of the European Parliament on the restriction of the use of certain hazardous substances in electrical and electronic equipment. RoHS certificates from our suppliers are available on request.

(Rev.1.0 Mar 2020)

## Corporate Headquarters

TOYOSU FORESIA, 3-2-24 Toyosu  
Koto-ku, Tokyo 135-0061, Japan  
[www.renesas.com](http://www.renesas.com)

## Contact Information

For further information on a product, technology, the most up-to-date version of a document, or your nearest sales office, please visit:  
[www.renesas.com/contact/](http://www.renesas.com/contact/)

## Trademarks

Renesas and the Renesas logo are trademarks of Renesas Electronics Corporation. All trademarks and registered trademarks are the property of their respective owners.