



SK3410T120

Band41, RF SAW Filter
Preliminary : January 2018

MSL 3 Device



- Electrical Characteristics
- Package Dimensions
- Testing Environment
- Frequency Characteristics

□ Electrical Characteristics

Maximum Ratings

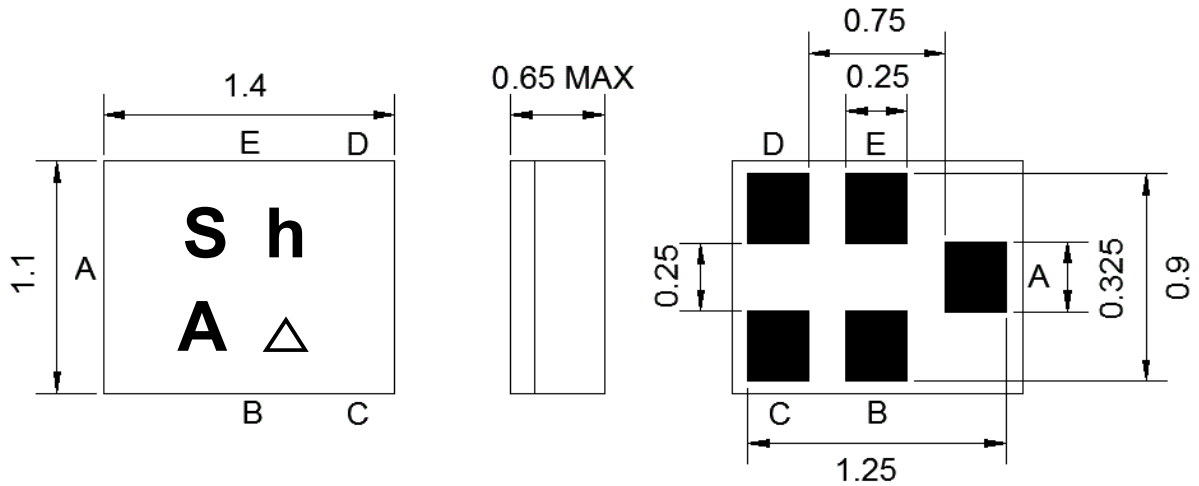
Parameters Description	Unit	Minimum	Typical	Maximum
Operating Temperature Range	°C	-30	-	+85
Storage Temperature Range	°C	-40	-	+85
Maximum DC Voltage	V	-	-	3
Maximum Input Power	dBm	-	-	29
Source Impedance (Unbalance) ⁽¹⁾	Ω	-	50	-
Load Impedance (Unbalance) ⁽¹⁾	Ω	-	50	-
Package type & size	C24			
Length x Width	mm ²	-	1.4 x 1.1	-
Height	mm	-	-	0.65

Electrical Specification

Parameters Description	Unit	Minimum	Typical	Maximum
Center Frequency (Fo)	MHz	-	2595.0	-
Insertion Loss within 2535.0 ~ 2655.0 MHz	dB	-	2.0	2.8
Amplitude Ripple within 2535.0 ~ 2655.0 MHz	dB _{p-p}	-	1.0	2.0
Attenuation:				
2110.0 ~ 2170.0 MHz	dB	17	20	-
2401.0 ~ 2468.0 MHz (WLAN Ch 1~10)	dB	18	21	-
2451.0 ~ 2473.0 MHz (WLAN Ch 11)	dB	25	33	-
2456.0 ~ 2478.0 MHz (WLAN Ch 12)	dB	25	33	-
2461.0 ~ 2483.0 MHz (WLAN Ch 13)	dB	25	30	-
2775.0 ~ 4992.0 MHz	dB	18	21	-
VSWR within 2535.0 ~ 2655.0 MHz	-	-	1.6	2.3

Notes : (1) With Matching Network (Ref. Testing Environment Circuit as shown below).

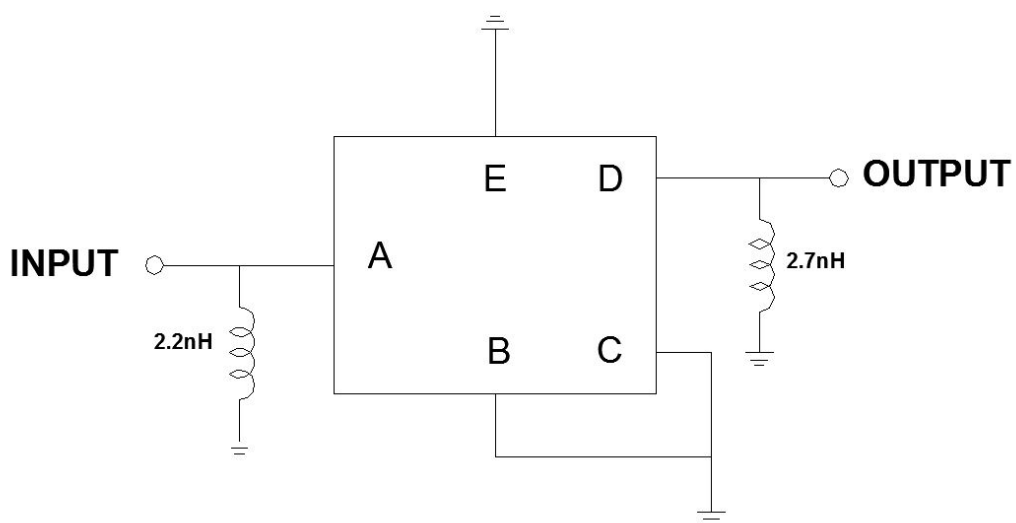
□ Package Dimensions



Marking Descriptions	
S	SUNTEK
h	Band Class
A	Series Number
△	Date Code(Year+Month)

Pin Description	
B, C, E	Ground
A	Input
D	Output

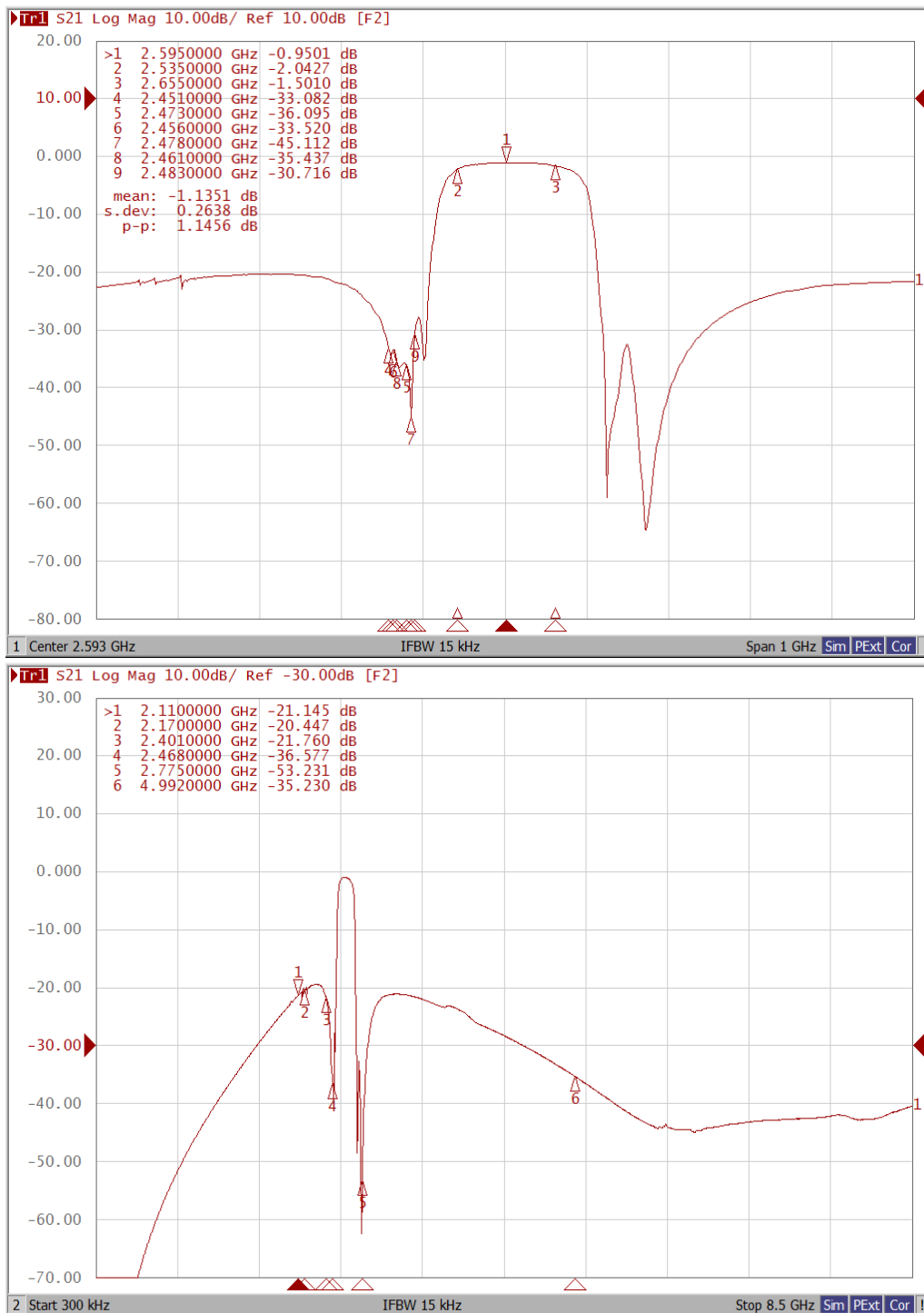
□ Testing Environment



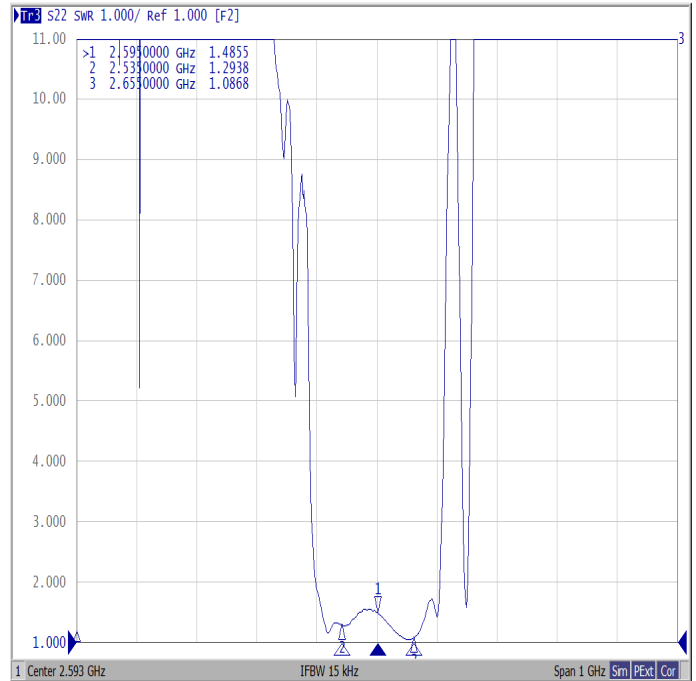
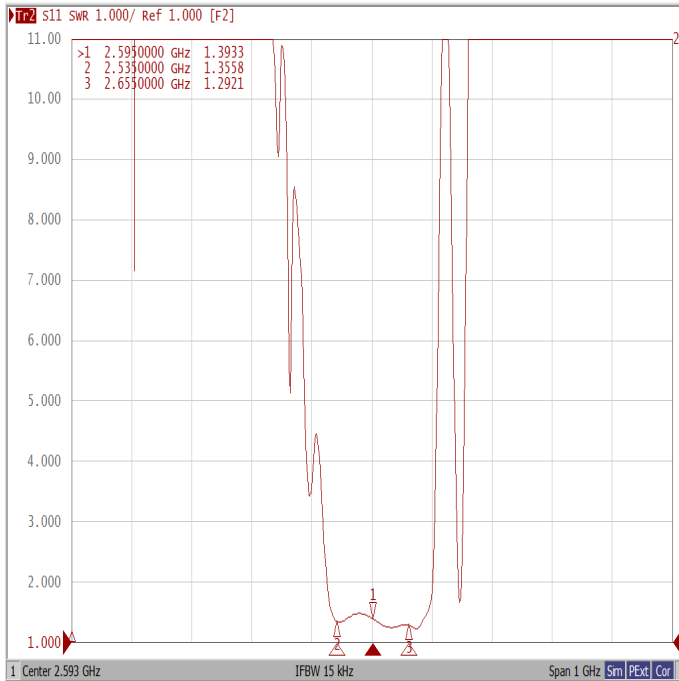
Source & Load Impedance: 50 Ω

□ Frequency Characteristics

Frequency Response



VSWR



Smith Chart

