

Synchronous Rectification Driver with Green Mode Function

REV. 00

General Description

LD8526U/UP is a secondary side synchronous rectification (SR) driver IC. It is suited for flyback low side and high side synchronous rectification in CCM, DCM and QR mode. For forward freewheeling rectification application, LD8526U/UP can be applied in CCM and DCM operation.

In light load condition, LD8526U/UP will enter green mode to reduce operation current by stopping SR MOSFET driving function.

LD8526U/UP can generate its own supply voltage through high side rectification applications to charge battery.

Features

- Suited for low side and high side flyback synchronous rectification in CCM, DCM and QR(valley lock) mode
- Suited for forward freewheeling rectification in CCM and DCM
- Self-supplying for operation with low output voltage and/or high-side rectification without an auxiliary winding.
- Suited for primary side with peak load function (max. frequency 130kHz)
- Suited for PD application, which output voltage range from 3V to 21V, and VCC range from 3V to 9V.
- Programmable turn-off level
- Fast turn-off total delay of 30ns
- 200 μ A ultra-low green mode operation current
- Gate source/sink capability: 0.5A/-3A

Applications

- Switching AC/DC adaptor and battery charger
- Open frame switching power supply

Typical Application

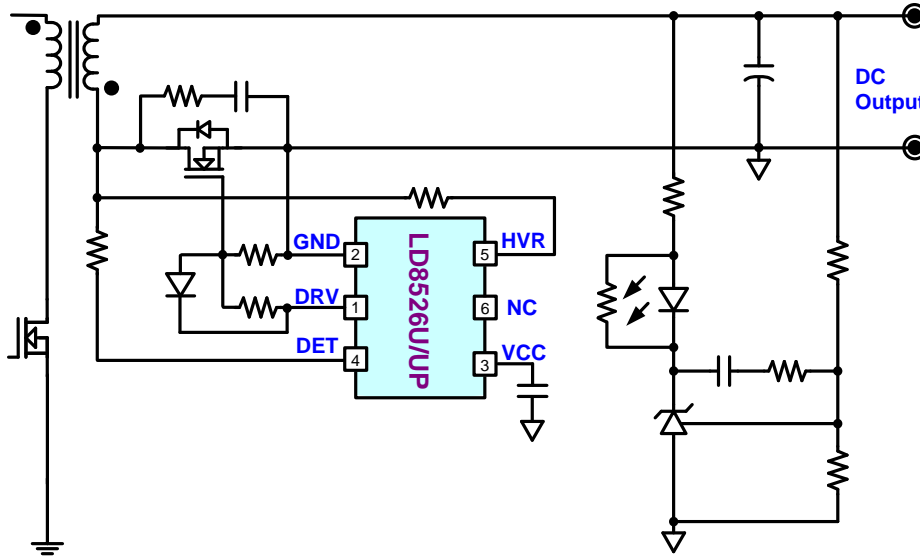


Fig. 1 Flyback Low Side Synchronous Rectification

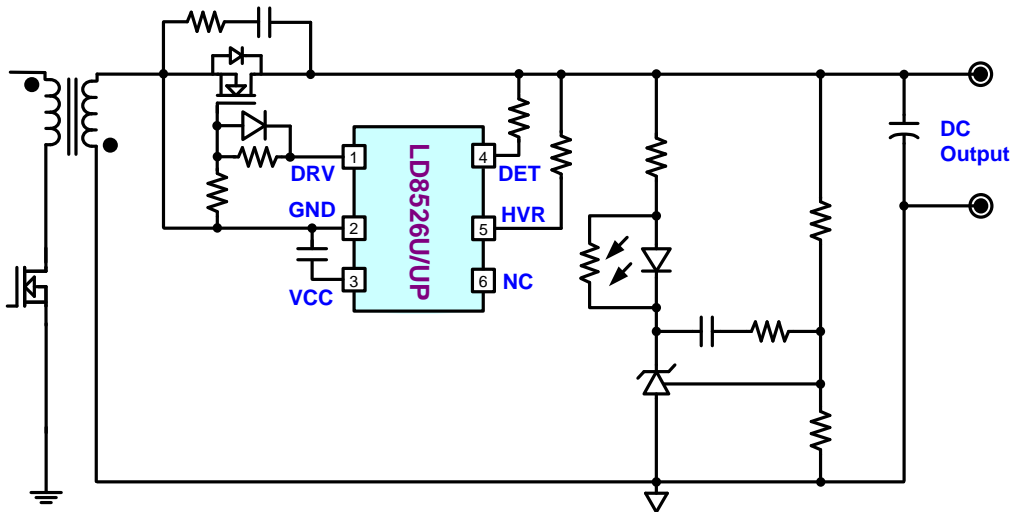
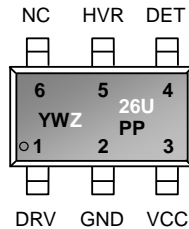


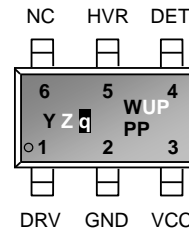
Fig. 2 Flyback High Side Synchronous Rectification

Pin Configuration

SOT-26 (TOP VIEW)



SOT-26 (TOP VIEW)



Y : Year code (D: 2004, E: 2005.....)
 W : Week code
 PP : Production code
 Z26U : LD8526U

Y : Year code (D: 2004, E: 2005.....)
 W : Week code
 PP : Production code
 ZqUP : LD8526UP

Ordering Information

Part number	Package		Top Mark	Shipping
LD8526U GL	SOT-26	Green Package	YWZ/26U/PP	3000 / tape & reel
LD8526UP GL	SOT-26	Green Package	YZq/WUP/PP	3000 / tape & reel

The LD8526U/UP is ROHS compliant/ green packaged.

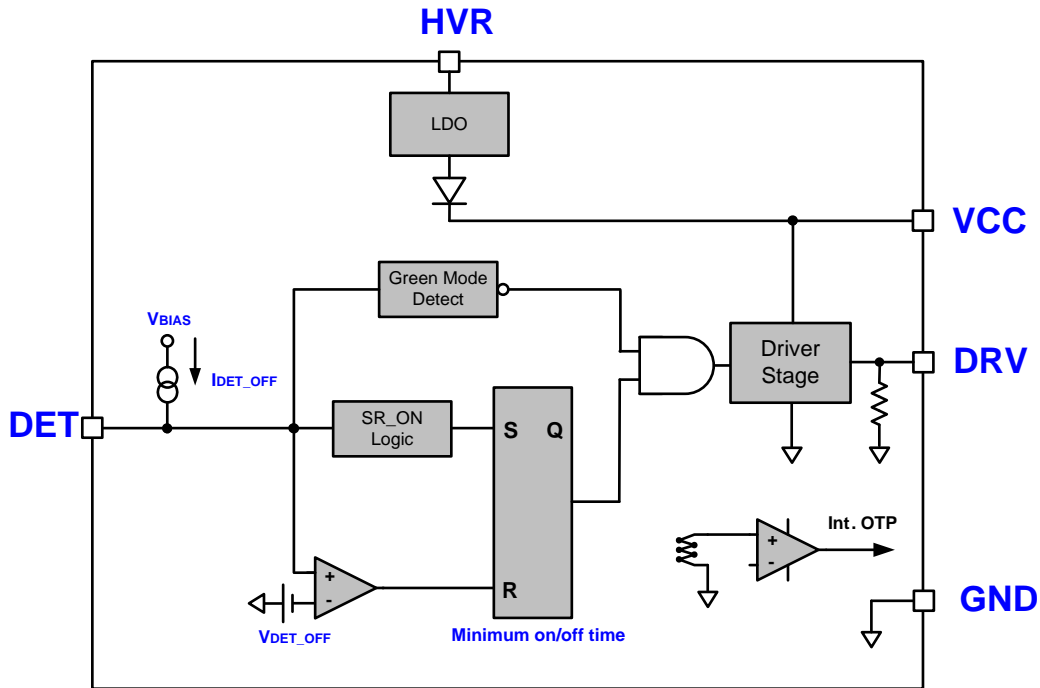
Protection Mode

Part number	Int. OTP
LD8526U/UP	Auto-Restart

Pin Description

PIN (SOT-26)	NAME	FUNCTION
1	DRV	Driving pin, connector to GATE pin of MOSFET directly or through a resistor
2	GND	Ground pin
3	VCC	Supply voltage pin
4	DET	Synchronous rectification detection
5	HVR	HV linear regulator input
6	NC	No connect

Block Diagram



Absolute Maximum Ratings

DET.....	-1V ~ 200V
HVR.....	-1V ~ 200V
VCC.....	-0.3V ~ 14V
DRV.....	-0.3V~VCC+0.3V
Maximum Junction Temperature.....	150°C
Storage Temperature Range.....	-65°C to 150°C
Package Thermal Resistance (SOT-26, θ_{JA}).....	200°C/W
Package Thermal Resistance (SOT-26, θ_{JC}).....	115°C/W
Power Dissipation (SOT-26, at Ambient Temperature = 85°C).....	200mW
Lead temperature (Soldering, 10sec).....	260°C

Caution:

Stresses beyond the ratings specified in “absolute maximum ratings” may cause permanent damage to the device. This is a stress only rating and operation of the device at these or any other conditions above those indicated in the operational sections of this specification is not implied.

Recommended Operating Conditions

Item	Min.	Max.	Unit
Operating Junction Temperature	-40	125	°C
Supply Voltage VCC	3	12	V
Power MOS Gate Threshold Voltage	2	5	V
Operating Frequency		130	KHz
VCC capacitor	2.2		μF
MOSFET Ciss ⁽¹⁾	1000	5500	pF
Turn-Off Rgate ⁽¹⁾	0	5	Ω
RDET		600	Ω

Notes:

- When MOSFET Ciss is the maximum value, turn-off R_{GATE} must be the minimum value. On the contrary, when MOSFET Ciss is the minimum, turn-off R_{GATE} must be the maximum.

Electrical Characteristics

(T_A = +25°C unless otherwise stated, VCC=10V)

PARAMETER	CONDITIONS	SYMBOL	MIN	TYP	MAX	UNITS
Supply Voltage (VCC Pin)						
UVLO (on)		V _{CC_ON}	2.8	3	3.2	V
UVLO (off)		V _{CC_OFF}		2.8		V
UVLO Hysteresis		V _{CC_HYS}		0.2		V
VCC Operating Voltage	HVR=30V	V _{VCC_H1}	8	9.5	11	V
Operating Current	VCC=10V, DET=65kHz, 2.2nF on GATE pin	I _{VCC_OP1}		2.2	3	mA
	Green mode	I _{VCC_OP2}		200	250	μA
	UVLO_OFF mode VCC=2.5V	I _{VCC_OFF}		25		μA
Detection Reference (DET Pin)						
Turn-on voltage		V _{DET_ON}	-400	-300	-150	mV
Turn-off voltage	(3)	V _{DET_OFF}	10	20	30	mV
Turn-off compensation current		I _{DET_OFF}	85	100	115	μA
Ring Reject Threshold		V _{DET_R}	1.3	1.6	1.8	V
Ring Reject Threshold Hysteresis		V _{DET_RHY}		1.1		V
Ring Reject Window		T _{DET_WD}	50	70	100	ns
Leakage current	V _{DET} =200V	I _{DET_LK}			1	μA
Max. Operating Limit	(1)	F _{SW_MAX}	150	180	230	kHz

PARAMETER	CONDITIONS	SYMBOL	MIN	TYP	MAX	UNITS
Drive (DRV Pin)						
Total Turn-on delay time	(2)	T_{D_ON}		85		ns
Total Turn-off delay time	(2)	T_{D_OFF}		15		ns
Pseudo dead time		T_{PDT}	3.5	4.5	5.5	μ s
Output High Voltage	$I_o=+10mA$	V_{DRV_H}	8	9		V
Output Low Voltage	$I_o=-10mA$	V_{DRV_L}			0.5	V
Turn-off propagation delay		T_p		15		ns
Turn-on Rising time	(2), drive voltage from 20%(2V) to 80%(8V)	T_r		75	200	ns
Turn-off Falling time	(2), drive voltage from 80%(8V) to 20%(2V)	T_f		13	30	ns
Minimum On Time	LD8526U	T_{MIN_ON}	0.7	1	1.3	us
	LD8526UP		0.2	0.5	0.8	
Minimum Off Time		T_{MIN_OFF}	0.1	0.3	0.5	μ s
On Chip OTP (Over Temperature) Auto-Recovery						
OTP Level	(1)	T_{OTP}		150		$^{\circ}$ C
OTP Hysteresis	(1)	T_{OTP_HYS}		30		$^{\circ}$ C

Notes:

1. Guaranteed by design.
2. Load capacitance=2.2nF.
3. For avoiding SR being too late to turn off in CCM, R_{DET} must be adjusted from 600R down to appropriate value.

Typical Performance Characteristics

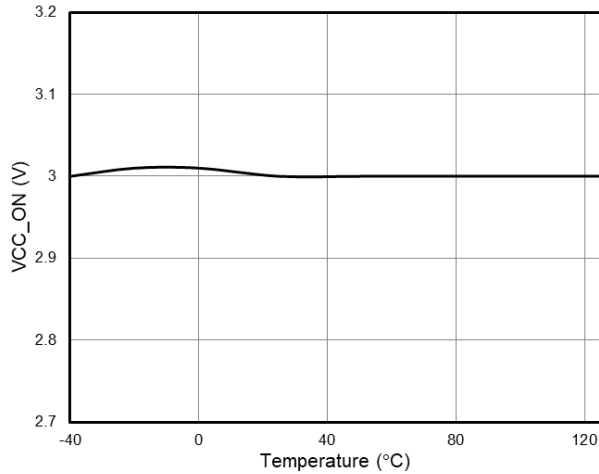


Fig. 3 UVLO ON vs. Temperature

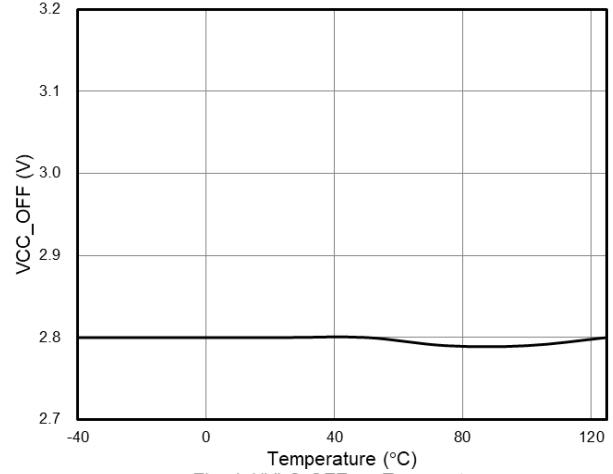


Fig. 4 UVLO OFF vs. Temperature

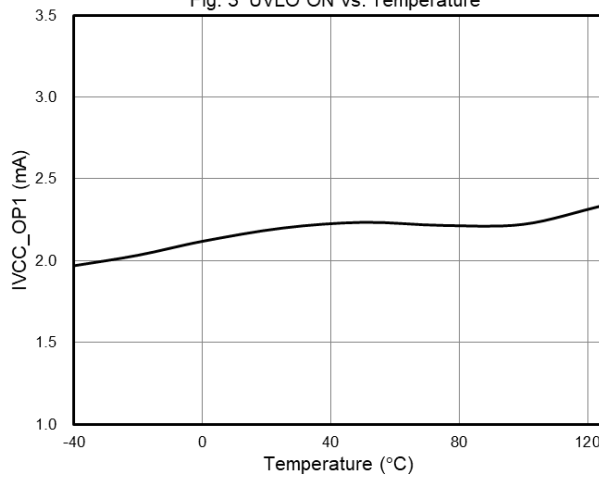


Fig. 5 Operation Current vs. Temperature

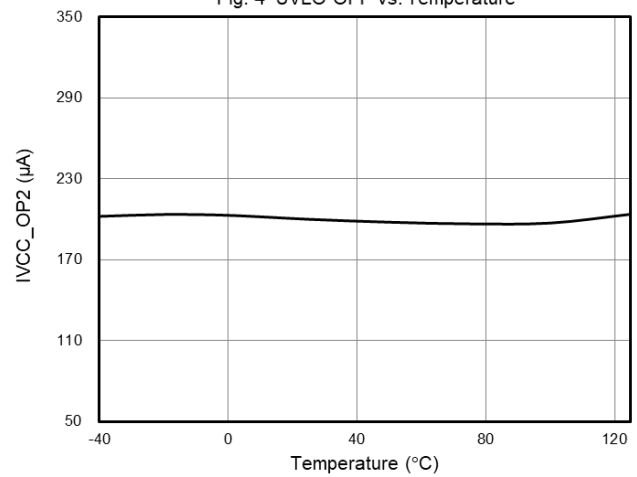


Fig. 6 Green Mode Current vs. Temperature

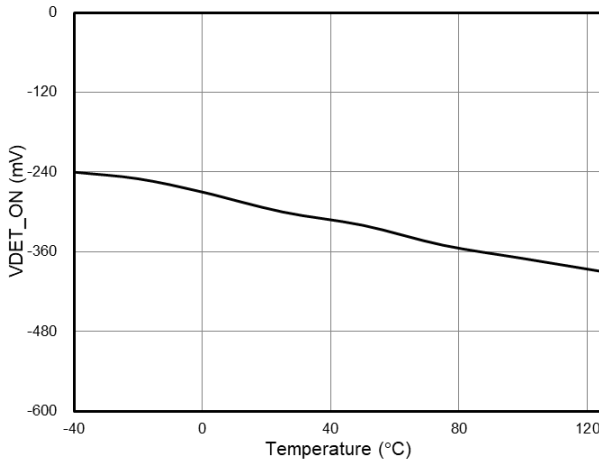


Fig. 7 Turn On Voltage vs. Temperature

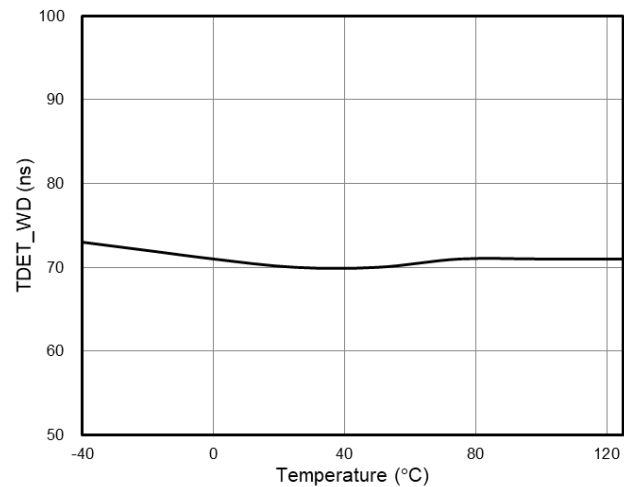


Fig. 8 Ring Reject Window vs. Temperature

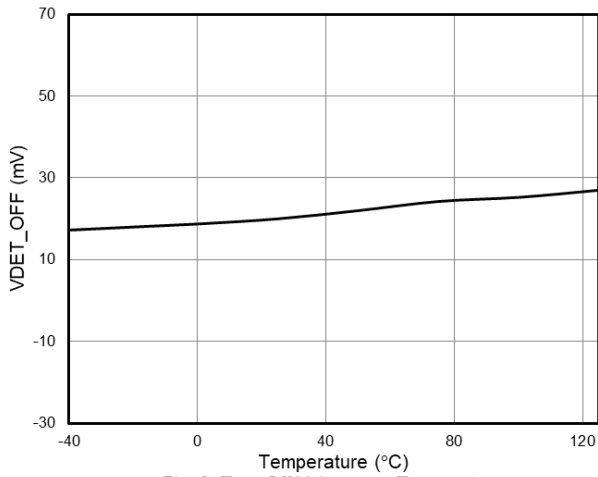


Fig. 9 Turn Off Voltage vs. Temperature

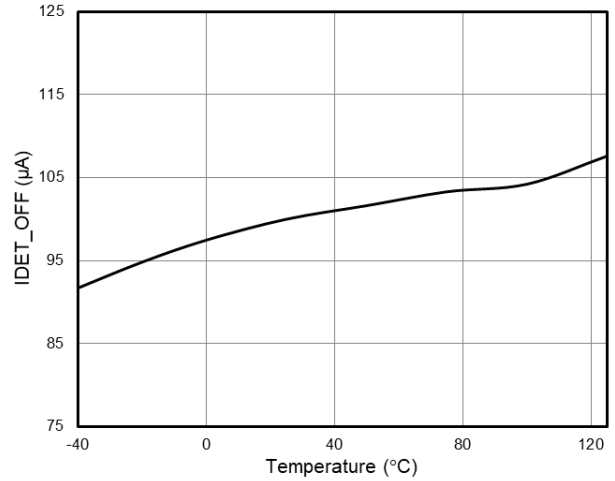


Fig. 10 Turn Off Compensation Current vs. Temperature

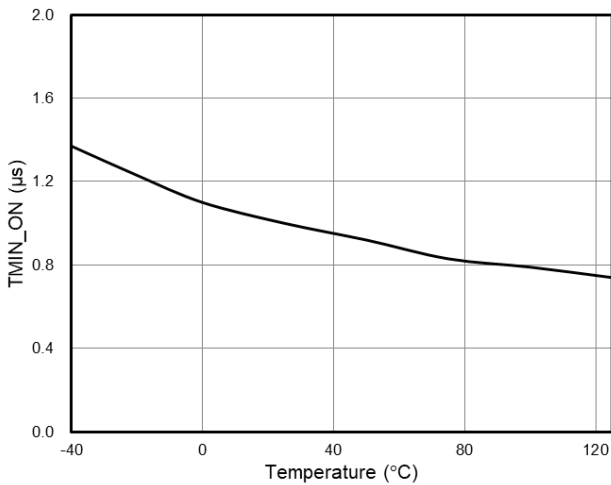


Fig. 11 Minimum On Time for LD8526U vs. Temperature

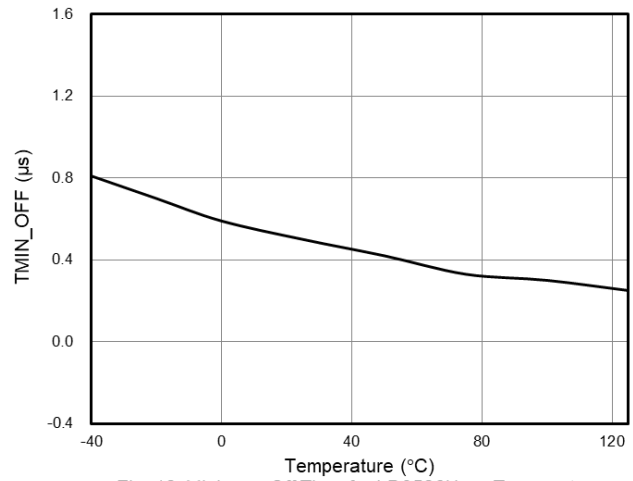


Fig. 12 Minimum Off Time for LD8526U vs. Temperature

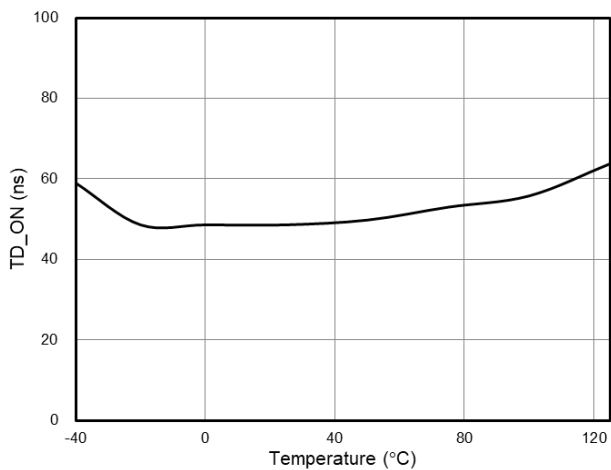


Fig. 13 Total Turn-On Delay Time vs. Temperature

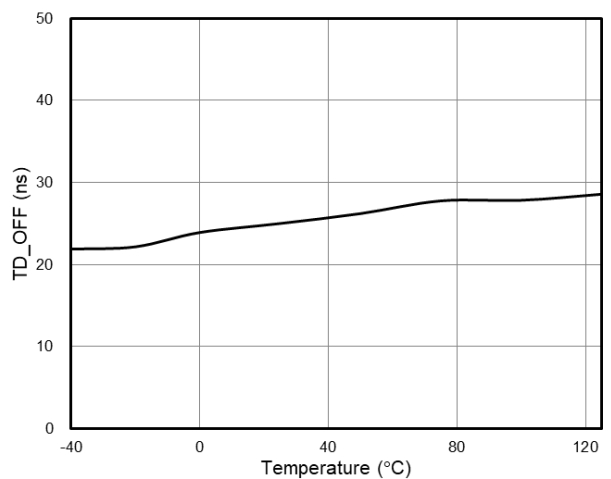


Fig. 14 Total Turn-Off Delay Time vs. Temperature

Application Information

Operation Overview

The LD8526U/UP is a secondary side synchronous rectification driver IC for CCM and DCM operation. The LD8526U/UP not only has excellent dead time control function for safety in load transient, but also only needs very low operation current in green mode. In addition, LD8526U/UP can generate its own supply voltage through low output voltage or high side rectification applications to charge battery. Hence, LD8526U/UP is suitable for PD application.

LDO Charge Function

LD8526U/UP with a LDO (low drop-out regulator) provides VCC power, and charged by HVR. The LDO charging current can be controlled by connecting a resistor between HVR & MOS drain for the chip temperature optimization. Besides, a capacitor must exist from VCC to GND to store the energy.

Under Voltage Lockout (UVLO) and Enable Function

An UVLO comparator is implemented in it to detect the voltage on the VCC pin. It will assure the supply voltage enough to turn on the LD8526U/UP controllers and further to drive the synchronous rectifier. As shown in Fig. 15, the UVLO(ON) and UVLO(OFF) are 3V and 2.8V respectively.

To enable synchronous rectifier, the following conditions must be met:

1. $VCC > UVLO(ON)$
2. Exit green mode
3. $DET > V_{DET_ON}$

With these restrictions, synchronous rectifier always operates in stable condition. Therefore, some unstable transient, which are like turn-on, turn-off, output short,

surge, ESD...etc., will not make synchronous rectifier unsafe when it works.

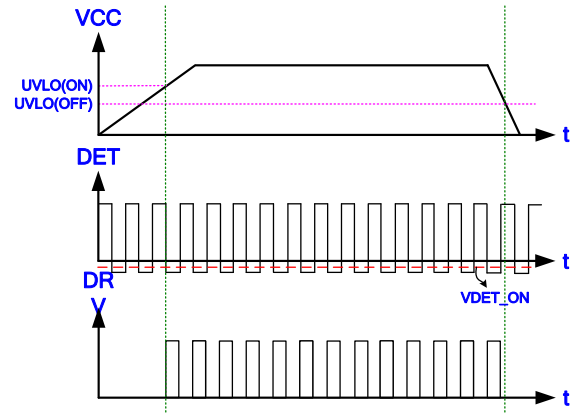


Fig. 15

Green Mode Operation

For improving the efficiency in light load conditions, LD8526U/UP stops SR MOSFET driving function to reduce operation current, as shown in Fig. 16.

DET pin detects system behavior, and the internal logic circuit sets DRV to high or low. Hence, LD8526U/UP can enter/exit green mode normally, even under dynamic load.

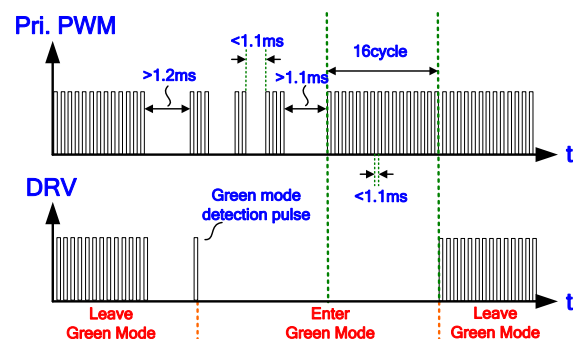


Fig. 16

Turn-on Phase

After a negative voltage (-300 mV typical) is sensed on the DET pin, the driver output voltage (DRV, see Block Diagram) is made high and the internal MOSFET is

switched on. After switch-on of the SR MOSFET, the input signal on the DET pin is blanked for 1μs (LD8526U). This will eliminate false switch-off due to high frequency ringing at the start of the secondary stroke.

Turn-off Phase

The DET pin has detection gate on time to do prediction gate pre-drop method ($T_{ON} \times 0.5 = T_{PREDICT}$), and the adjusting gate driver voltage is related to MOS parameter.

As soon as the DET voltage is above V_{DET_OFF} , the driver output is pulled to ground. For avoiding SR being too late to turn off in CCM, the following condition must be met, as shown in Fig. 17.

$$V_{DET_OFF} - I_{DET_OFF} \times R_{DET} + X = -10mV$$

Where $I_{DET_OFF} = 100\mu A$, $V_{DET_OFF} = +20mV$, $X =$ thermal effect and parasitic inductance from trace & electronic components. Hence R_{DET} must be from 600Ω down to find the appropriate turn-off time.

The behavior of DRV in DCM & CCM are shown separately in Fig. 18.

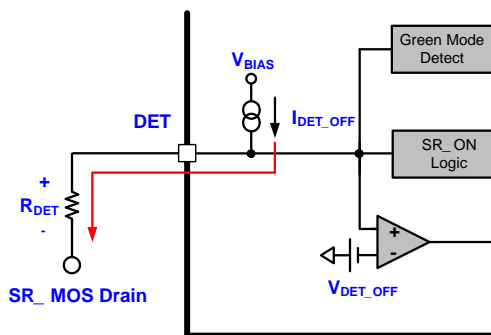


Fig. 17

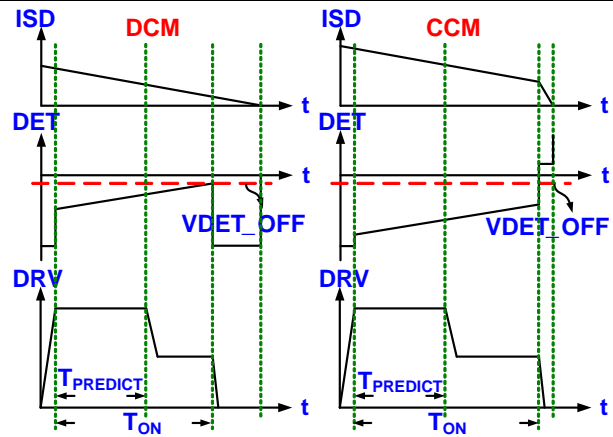


Fig. 18

On-Chip OTP - Auto Recovery

An internal OTP circuit is embedded inside the LD8526U/UP to provide the worst-case protection for this controller. When the chip temperature rises and it's higher than the trip OTP level, the output will be disabled until the chip is cooled down below the hysteresis window.

Recommend Layout Guide

In order for the system to work properly, layout must pay attention to the following points:

1. Keep the DET and GND loops as small as possible.
2. The power loop needs to be separated from the DET detection loop.
3. Place VCC capacitor as close to IC as possible.
4. Keep the GND of IC and the source pin of MOS as short as possible.
5. To let MOS be turned OFF in time, keep 5nH~20nH inductance of PCB trace as shown in Fig.19 & Fig. 20 in red lines. The suggested trace configurations are listed below:
 - a. 3.5mm*18mm*2oz
 - b. 4mm*20mm*2oz

c. 3.5mm*9mm*1oz

d. 4mm*10mm*1oz

e. 6mm*15mm*1oz

In high side application, DET detection point needs to be close to the output capacitor, and in low side application, DET detection point needs to be close to the transformer.

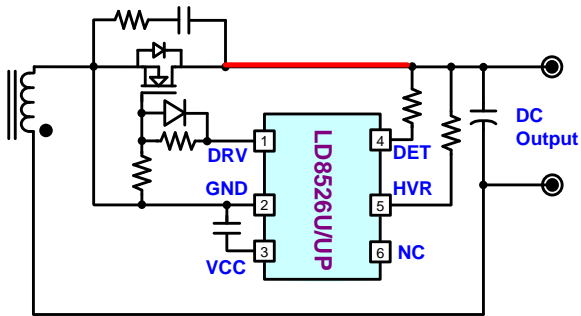


Fig. 19

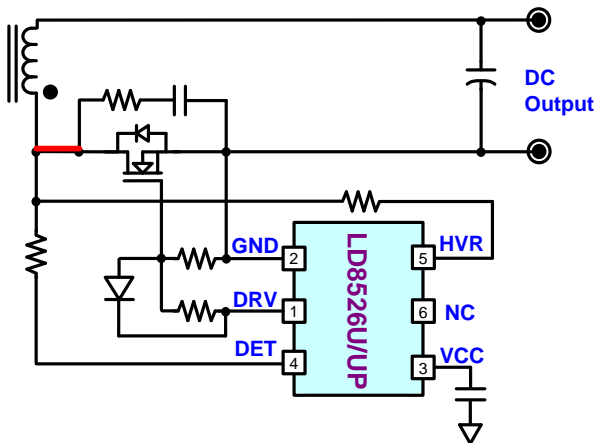
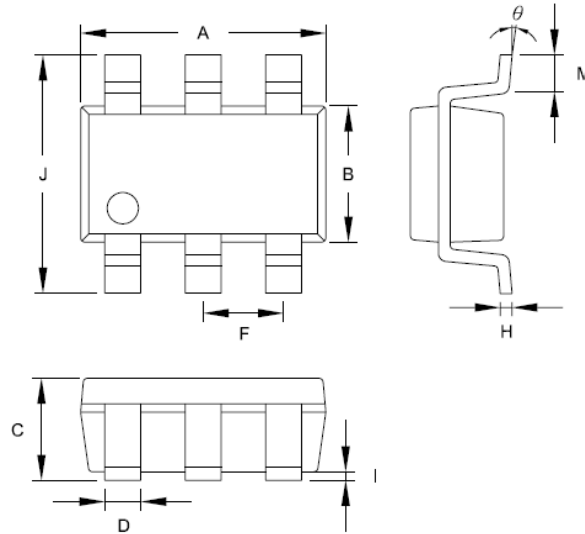


Fig. 20

Package Information

SOT-26



Symbol	Dimension in Millimeters		Dimensions in Inches	
	Min	Max	Min	Max
A	2.692	3.099	0.106	0.122
B	1.397	1.803	0.055	0.071
C	-----	1.450	-----	0.057
D	0.300	0.500	0.012	0.020
F	0.95 TYP		0.037 TYP	
H	0.080	0.254	0.003	0.010
I	0.050	0.150	0.002	0.006
J	2.600	3.000	0.102	0.118
M	0.300	0.600	0.012	0.024
θ	0°	10°	0°	10°

Revision History

REV.	Date	Change Notice
00	01/15/2020	Original Specification

Important Notice

Leadtrend Technology Corp. reserves the right to make changes or corrections to its products at any time without notice.

Customers should verify the datasheets are current and complete before placing order.