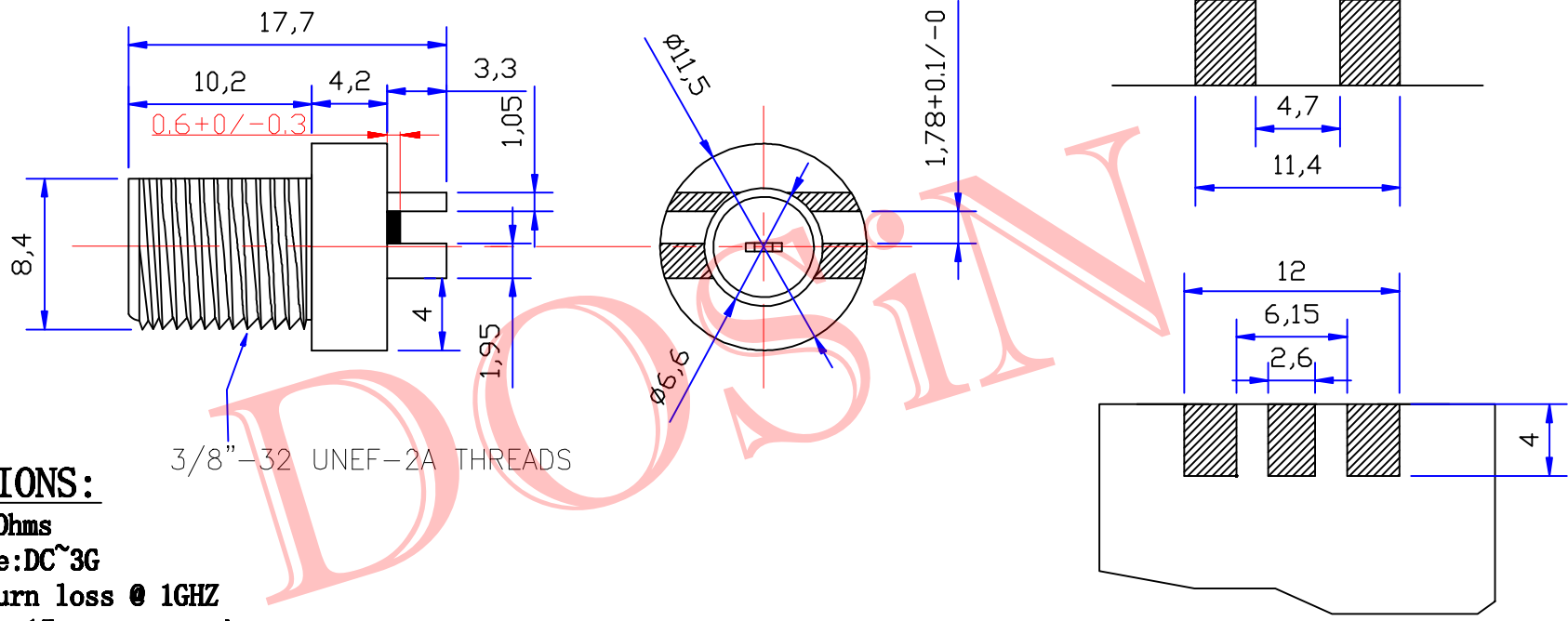




Product NO.		DOSIN-803-0131		
REV	DESCRIPTION	DWN	DATE	APPROVEN
A	First issue	Mr. Wang	2015/05/14	John kine
B	变更胶芯尺寸增加0.6突出的厚度	Mr. Wang	2015/06/08	John kine



**SPECIFICATIONS:**

- Impedance: 75 Ohms
- Frequency Range: DC~3G
- VSWR: 30dB Return loss @ 1GHZ
- Working Voltage: 15 watts continuous
- Insulation Resistance: 5000 Ohms min
- Temperature Range: -40°C TO +60°C
- Drawings products are in line with ROHS standards

RECOMMEND P.C.B LAYOUT

1	Body	BRASS	NI: 80-120u"	1	NOTE:	Tolerance	0-6	±0.15	<b>Dosin Industrial (HK) Co. Ltd</b> 东莞市德索五金电子制品有限公司 Dosin Hardware Electronics Co., Ltd	E-mail: dosin2006@163.com	
2	Contact pin	PHOSPHOR	TIN: 80-100u"	1			6-30	±0.30		dosin2006@dosin-china.com	
3	Insulation	PBT	WHITE	1			30-120	±0.50		Web: http://www.dosin.com	
4					DRAWN Zelin. Zhang	View	Angular	±5°	TEL: (0086) 769-81153906		
5							CHECKED	FAX: (0086) 769-81875836			
6					APPROVALS	UNIT	MM		Name: F Jack Connector		
7							SCALE	1:1		SIZE A	Product NO.
8	Component Number	Material	Finish	QTY			DateTime		CAD FILE		SHEET: 1 OF 1
9							2015/06/08		H/company drawings/BD		