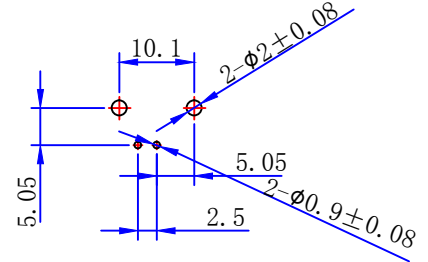
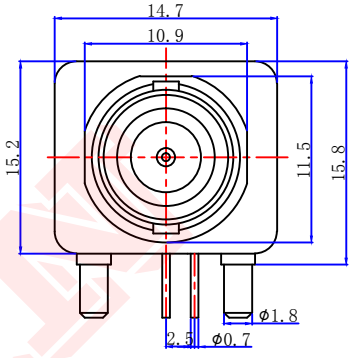
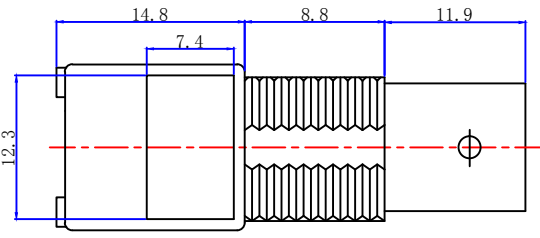
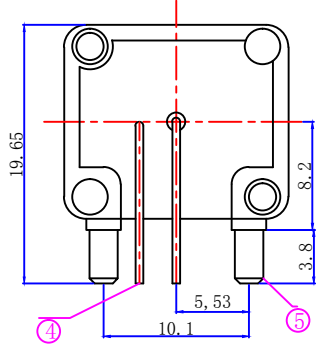




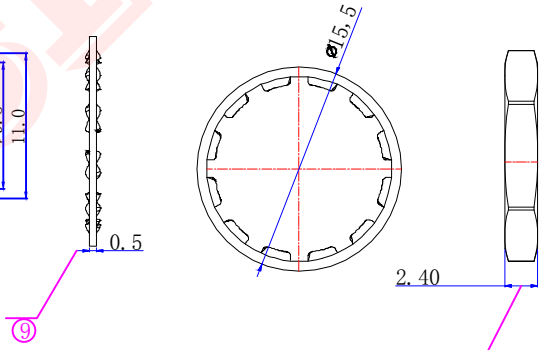
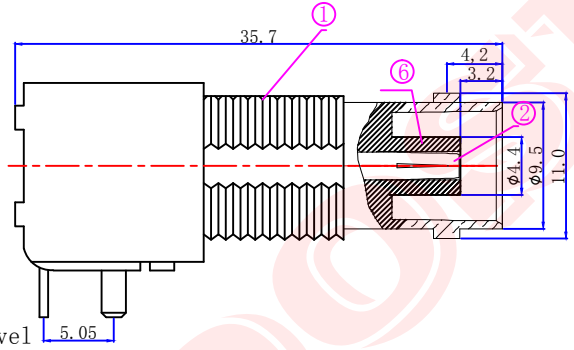
Product NO.		DOSIN-801-0034		
REV	DESCRIPTION	DWN	DATE	APPROVEN
A	First issue	CHEN	2018/2/25	John kine



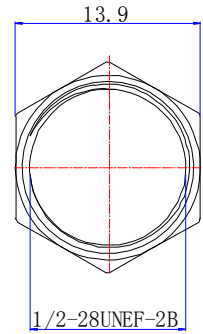
PCB HOLE CONFIGURATION  
RECOMMENDED PANEL CUTOUTS

### Specifications

Impedance: 50 Ohms  
 Frequency Range: DC~3G  
 VSWR: 1.3MAX  
 Working Voltage: 500V rms @ sea level  
 Insulation Resistance: 5000 Ohms min  
 Temperature Range: -55°C TO +155°C  
 Relative Temperature: ≤95% (40°C ±2°C)  
 Drawings products are in line with ROHS standards



WASHER



NUT

1	Body	ZINC3#	NI: 80-120"	1
2	Center contact<1>	Cl7200	AU: 0.8-1.0"	1
3	Center contact<2>	Brass59-1	AU: 0.8-1.0"	1
4	Ground	Iron	SN: 80-100"	1
5	fixed foot	Iron	SN: 80-100"	2
6	Insulator<1>	POM	White	1
7	Insulator<2>	POM	White	1
8	nut	Brass59-1	NI: 80-120"	1
9	washer	Iron	NI: 80-120"	1
10				
NO	Component Number	Material	Finish	QTY

NOTE:  
 DRAWN Zelin. CHEN 2018/2/25  
 CHECKED  
 APPROVALS John 25.2.2018  
 King

Tolerance  
 0-6 ±0.15  
 6-30 ±0.20  
 30-120 ±0.5  
 Angular ±2°  
 View  
 UNIT MM  
 SCALE 1:1

**DOSIN** Dosin Industrial(H.K)Co.Ltd  
 东莞市德索五金电子制品有限公司  
 Dosin Hardware Electronics Co.,Ltd  
 E-mail: dosin2005@163.com  
 dosin2005@dosin-china.com  
 Web: http://www.dosinconn.com  
 TEL: (0086)769-81153906  
 FAX: (0086)769-81875836

Name: BNC CONNECTOR DNN  
 SIZE A Product NO. DOSIN-801-0034 REV A  
 DateTime 2018/2/25 CAD FILE D/company drawings/BD SHEET: 1 OF 1