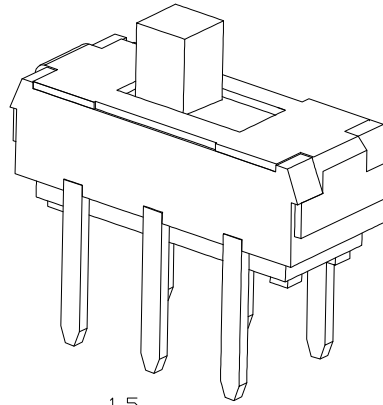
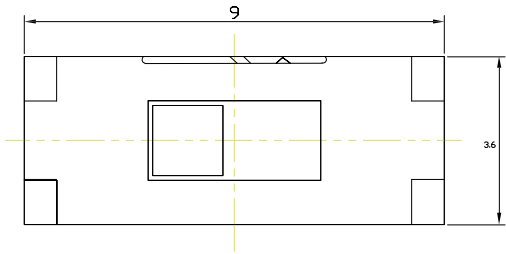


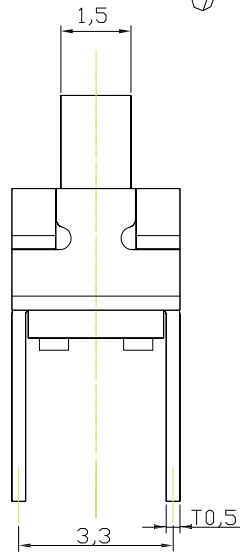
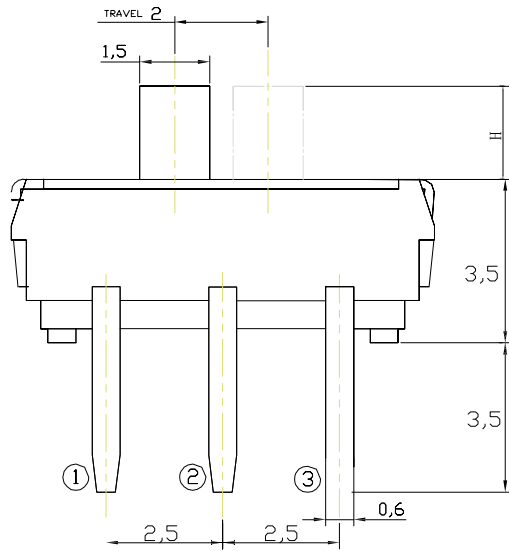
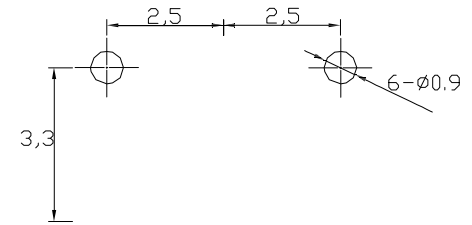
RoHS

CAD GENERATED DRAWING. DON'T CHANGE BY HAND.

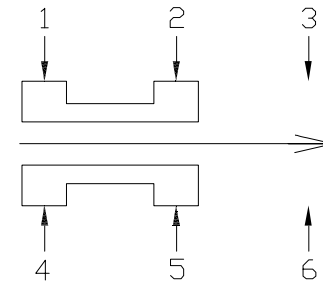
REV.	ECN. NO.	APPD.



P. C. B MOUNTING PATTERN DIMENSION  
the following soldering are recommended  
for reflow soldering



CIRCUIT DIAGRAM



手柄尺寸

1.5\*1.5

2.0\*2.0

Specification

Part Name	Material	Specification
Cover plate	silver white	Silver plating of stainless steel
button	black	PA46/9T
spring	ecru	Stainless steel wire
reed	silver	Phosphor bronze plated with silver
base	black	PA46/9T/LCP
terminal	silver	Phosphor copper plating silver

Mechanical

P/N	Operating Force(gf)	Height mm	Knob	Leads Shape (G,J,T)	Ground pin (0,1)	Pegs (0,1)
YSS-M	1 200±70	C 4 B 3 A 2	1 1.5×1.5 2 2.0×2.0	T	0	0

X. ±0.50	X.° ± 2°	UNITS mm
.X ±0.30	.X° ± 1°	
.XX ±0.10	.XX° ± 0.5°	MAT'L
.XXX ±0.05		



深圳市怡远科技有限公司  
SHENZHEN YIYUAN TECHNOLOGY CO.,LTD

PART NO. YSS-M	TITLE: 大六立插拨动开关
APPD: ROGER	DWG NO: YSS-M
CHKD: RDC	
DR: BILLY WANG 2020/08/21	SCALE SHEET REV. 1/1 1/1 A1

THESE DRAWINGS AND SPECIFICATIONS ARE THE PROPERTY OF YIYUAN TECHNOLOGY CO.,LTD AND SHALL NOT BE REPRODUCED, COPIED OR USED IN ANY MANNER WITHOUT THE PRIOR WRITTEN CONSENT OF YIYUAN TECHNOLOGY CO.,LTD

FINISH

Q'TY