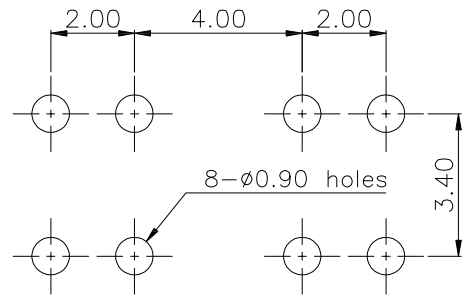
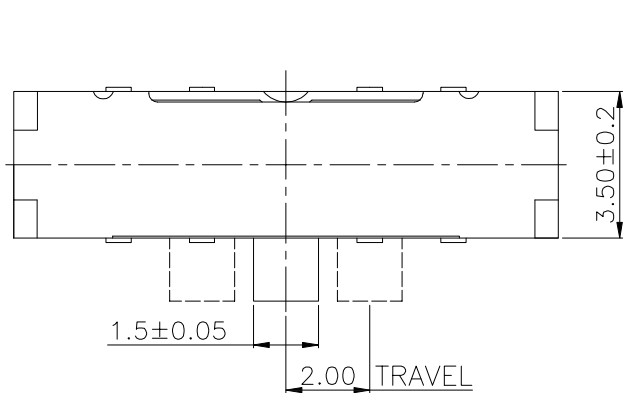


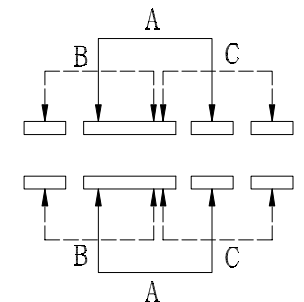
RoHS

CAD GENERATED DRAWING. DON'T CHANGE BY HAND.

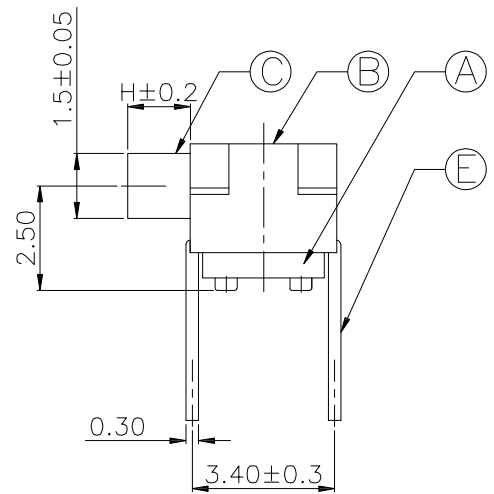
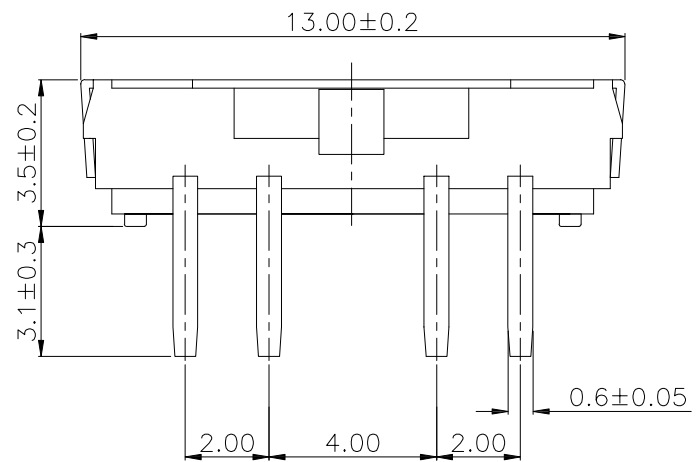
REV.	ECN. NO.	APPD.



PCB Layout(Pattern side)



Circuit Diagram



Specification

Operating Life	10,000
Contact rating	300mA@4V DC.
Insulation resistance	≥100Ω
Contact resistance	>100MΩ
Dielectric Strength	250 V 50HZ 1Min
Travel	0.2±0.1mm

Mechanical

P/N	Operatin g Force(gf)	Height mm	Leads Shape (G,J,T)	Ground pin (0,1)	Pegs (0,1)
YSS-J	1	180±50	C 4 B 3 A 2	T	0

X. ±0.50	X.* ±2°	UNITS mm
.X ±0.30	.X* ±1°	
.XX ±0.10	.XX* ±0.5°	MAT'L
.XXX ±0.05		FINISH
		Q'TY

yiYUAN 深圳市怡远科技有限公司
SHENZHEN YIYUAN TECHNOLOGY CO.,LTD

PART NO. YSS-J	TITLE: 八大卧插H2拨动开关
APPD: ROGER	DWG NO: YSS-J
CHKD: RDC	SCALE SHEET REV. 1/1 1/1 A1
DR: BILLY WANG 2020/08/21	

No	Name	Number	Qty	Material	Remarks
①	Terminal	8		Brass	Silver
②	Contact reed	2		Beryllium copper	silver covered
③	Handle	1		PA66	Black
④	Cover	1		SUS	Silver
⑤	Base	1		LCP	Gray

THESE DRAWINGS AND SPECIFICATIONS ARE THE PROPERTY OF YIYUAN TECHNOLOGY CO.,LTD AND SHALL NOT BE REPRODUCED, COPIED OR USED IN ANY MANNER WITHOUT THE PRIOR WRITTEN CONSENT OF YIYUAN TECHNOLOGY CO.,LTD