



## Specification for Approval

- DEVICE NUMBER: BL-HZD39R-C-TRB
- CUSTOMER:

SAMPLES  
ATTACHED AREA

DATE \ PAGE	1	2	3	4	5	6	7	8	9		CONTENTS
2021/04/19	1.0	1.0	1.0	1.0	1.0	1.0	1.0	1.0	1.0	1.0	Initial Released

**FOR CUSTOMER'S APPROVAL STAMP OR SIGNATURE**

APPROVED	PURCHASE	MANUFACTURE	QUALITY	ENGINEERING

佰鴻工業股份有限公司  
 BRIGHT LED ELECTRONICS CORP.  
 新北市板橋區和平路 19 號 3 樓  
 3F., No.19, He Ping Road,  
 Ban Qiao Dist., New Taipei City,  
 Taiwan  
 Tel: +886-2-29591090  
 Fax: +886-2-29547006/29558809  
[www.briled.com](http://www.briled.com)

ISSUED	APPROVED	PREPARED
曾慶霖	謝皓翔	羅培娟

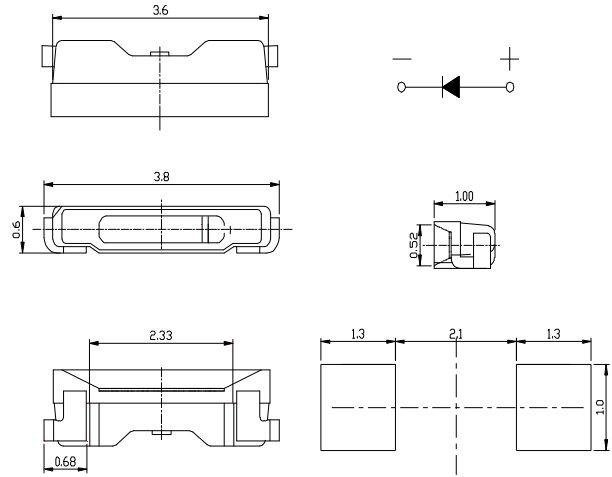
### ● Features:

1. Emitted Color : Cool White
2. Lens Appearance: Yellow diffuse.
3. (3.8x0.6x1.0mm) standard package
4. Suitable for all SMT assembly methods.
5. Compatible with infrared and vapor phase reflow solder process.
6. Compatible with automatic placement equipment.
7. This product doesn't contain restriction Substance, comply ROHS standard.
8. ESD:2000V

### ● Applications:

1. Automotive : Dashboards, stop lamps, turn signals.
2. Backlighting : LCDs.
3. Status indicators : Consumer & industrial electronics.
4. General use.

### ● Package Dimensions:



#### NOTES:

1. All dimensions are in millimeters (inches).
2. Tolerance is  $\pm 0.10\text{mm}$  (0.004") unless otherwise specified.
3. Specifications are subject to change without notice.

### ● Absolute Maximum Ratings(Ta=25°C)

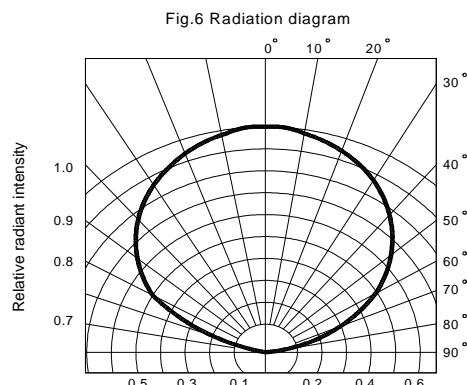
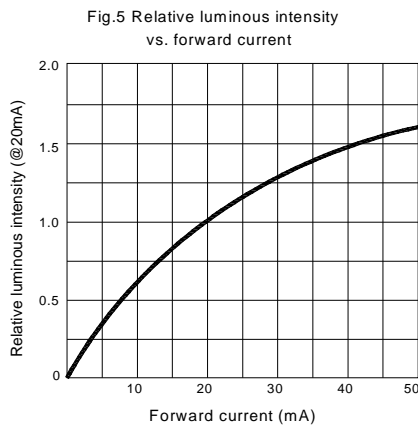
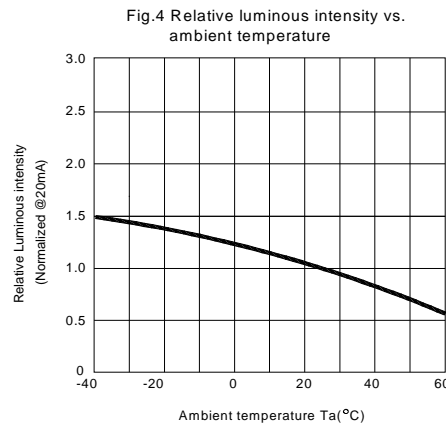
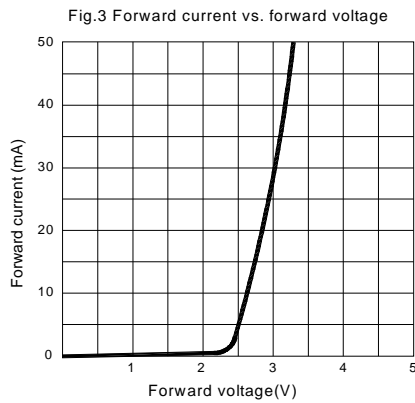
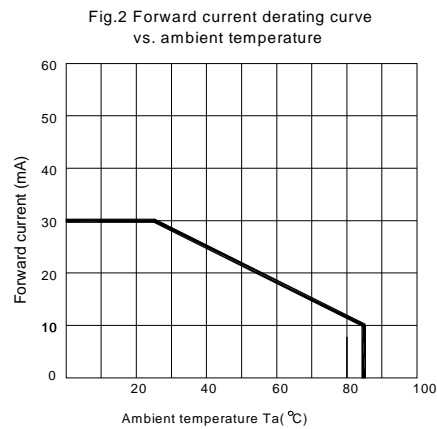
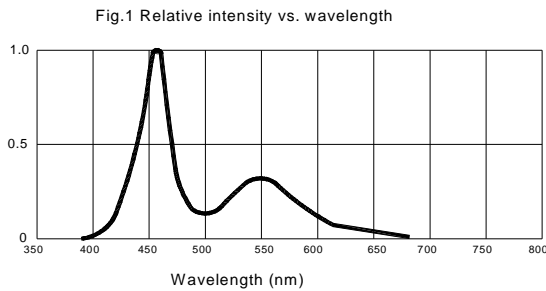
Parameter	Symbol	Rating	Unit
Power Dissipation	Pd	102	mW
Forward Current	I <sub>F</sub>	30	mA
Peak Forward Current * 1	I <sub>FP</sub>	100	mA
Operating Temperature	Topr	-40~85	°C
Storage Temperature	Tstg	-40~85	°C
Soldering Temperature	Tsol	See Page8	-

\* 1 Condition for I<sub>FP</sub> is pulse of 1/10 duty and 30 msec width.

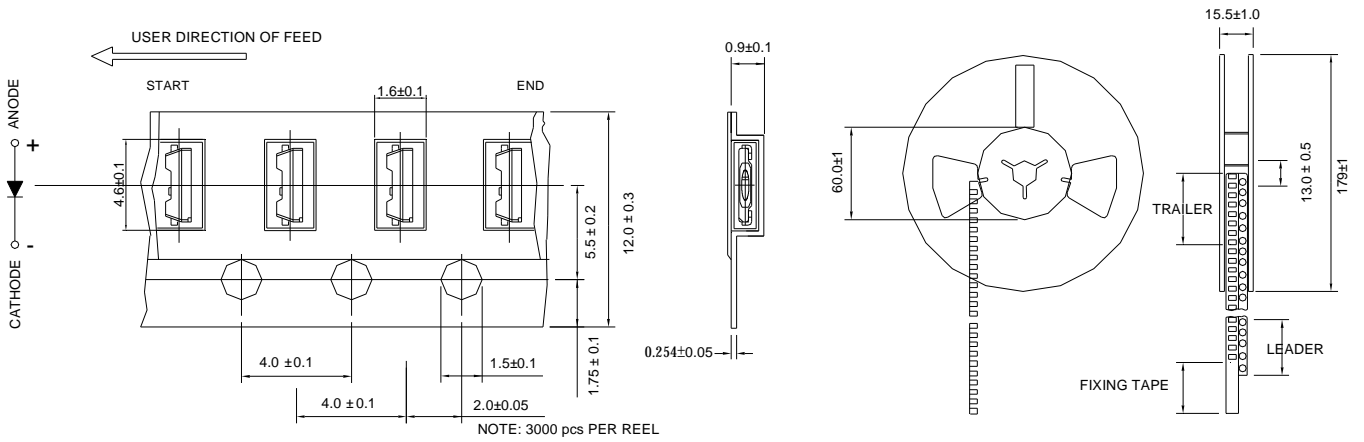
### ● Electrical and optical characteristics(Ta=25°C)

Parameter	Symbol	Condition	Min.	Typ.	Max.	Unit
Forward Voltage	VF	I <sub>F</sub> =20mA	2.8	3.0	3.4	V
Luminous Intensity	I <sub>v</sub>	I <sub>F</sub> =20 mA	2600	2800	-	mcd
Chromaticity Coordinates	x	I <sub>F</sub> =20 mA	-	0.28	-	-
	y	I <sub>F</sub> =20 mA	-	0.25	-	-
Reverse Current	I <sub>R</sub>	VR=5V	-	-	10	μA
Viewing Angle	2θ <sub>1/2</sub>	I <sub>F</sub> =20 mA	-	120	-	deg

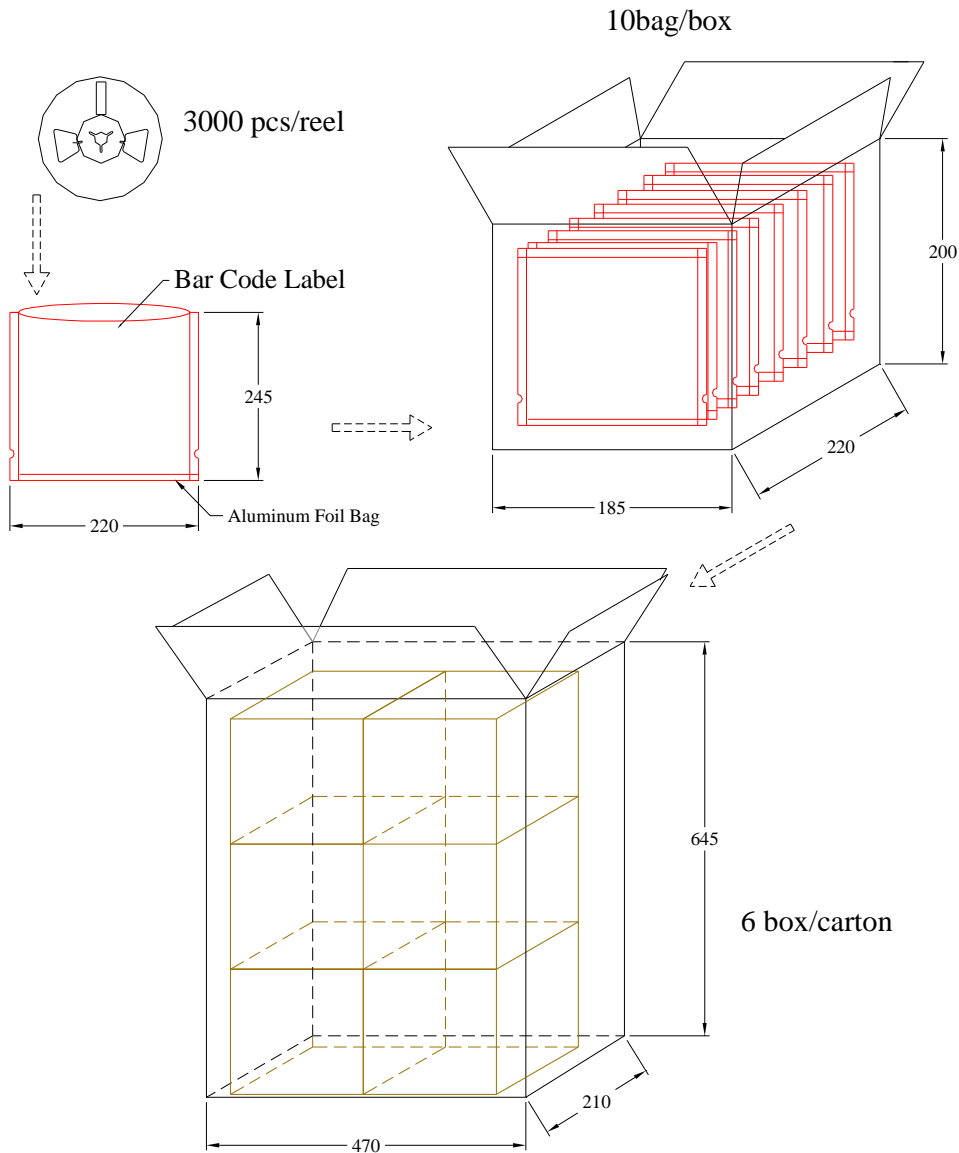
### ● Typical Electro-Optical Characteristics Curves



### ● Tapping and packaging specifications(Units: mm)



### ● Package Method(Units: mm)



## ● Bin Limits

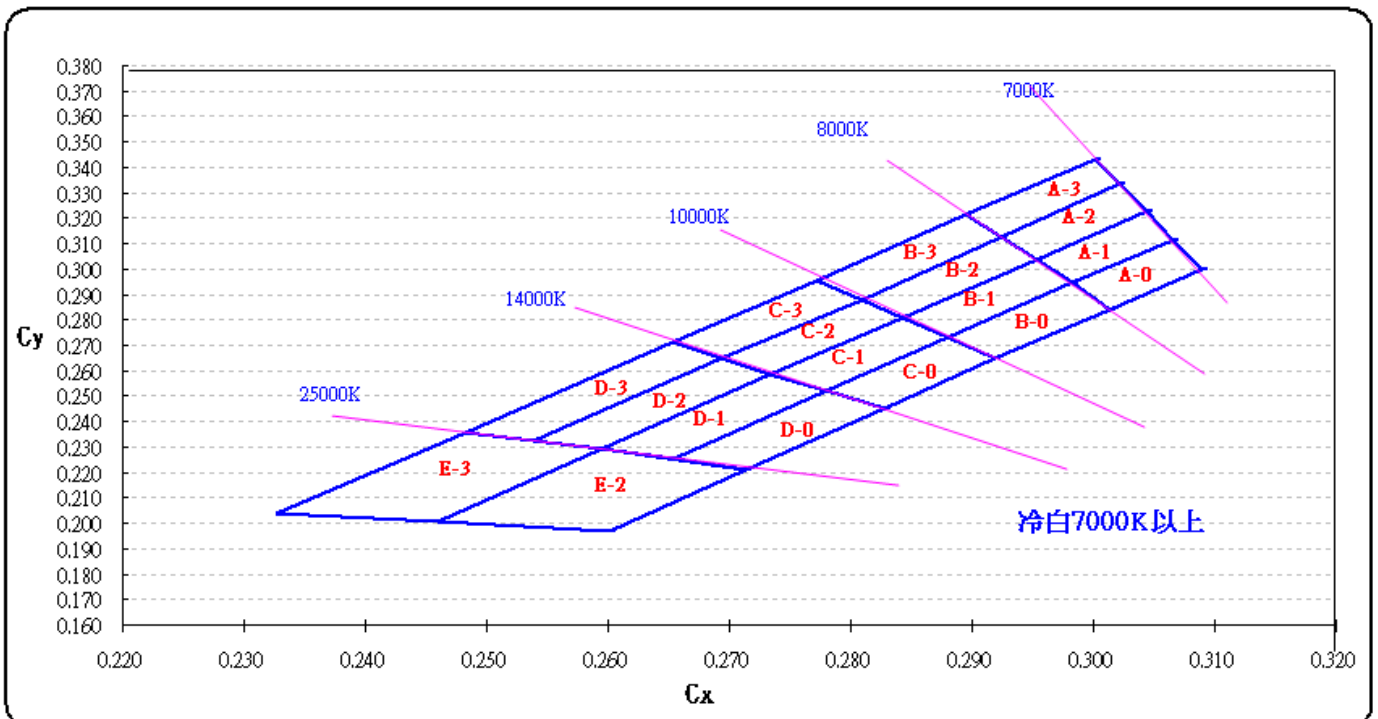
Intensity Bin Limits (@20mA):

BIN CODE	Min. (mcd)	Max. (mcd)
B	2600	2700
C	2700	2800
D	2800	2900
E	2900	3000
F	3000	3100
G	3100	3200
H	3200	3300
J	3300	3400

VF Bin Limits (@20mA):

BIN CODE	Min.(V)	Max.(V)
G1	2.8	2.9
G2	2.9	3.0
H1	3.0	3.1
H2	3.1	3.2
J1	3.2	3.3
J2	3.3	3.4

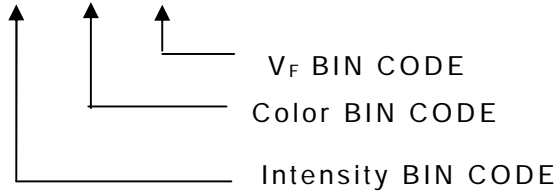
Color Bin Limits (At 20mA)



### Color Bin Limits (at 20mA)

CCT	BIN	Chromaticity Coordinates					
		x	y	z	u	v	
7000-8000K	A-0	x	0.3065	0.3089	0.3013	0.3065	
		y	0.3116	0.3000	0.2839	0.2948	
	A-1	x	0.2982	0.3065	0.3044	0.2953	
		y	0.2948	0.3116	0.3226	0.3038	
	A-2	x	0.2953	0.3044	0.3021	0.2924	
		y	0.3038	0.3226	0.3335	0.3129	
	A-3	x	0.2924	0.3021	0.3001	0.2895	
		y	0.3129	0.3335	0.3431	0.3218	
	8000-10000K	B-0	x	0.3013	0.2982	0.288	0.2919
			y	0.2839	0.2948	0.273	0.2648
		B-1	x	0.288	0.2982	0.2953	0.2842
			y	0.273	0.2948	0.3038	0.281
B-2		x	0.2842	0.2953	0.2924	0.2809	
		y	0.281	0.3038	0.3129	0.2881	
B-3		x	0.2809	0.2924	0.2895	0.2772	
		y	0.2881	0.3129	0.3218	0.2956	
10000-14000K		C-0	x	0.288	0.2919	0.2828	0.278
			y	0.273	0.2648	0.2452	0.2521
		C-1	x	0.278	0.288	0.2842	0.2734
			y	0.2521	0.273	0.281	0.2588
	C-2	x	0.2734	0.2842	0.2809	0.2694	
		y	0.2588	0.281	0.2881	0.2652	
	C-3	x	0.2694	0.2809	0.2772	0.2653	
		y	0.2652	0.2881	0.2956	0.271	
	14000-25000K	D-0	x	0.2828	0.278	0.2654	0.2713
			y	0.2452	0.2521	0.2257	0.221
		D-1	x	0.2654	0.278	0.2734	0.2594
			y	0.2257	0.2521	0.2588	0.2296
D-2		x	0.2594	0.2734	0.2694	0.2539	
		y	0.2296	0.2588	0.2652	0.2324	
D-3		x	0.2539	0.2694	0.2653	0.2483	
		y	0.2324	0.2652	0.271	0.2358	
25000 以上		E-2	x	0.246	0.2594	0.2713	0.2602
			y	0.201	0.2296	0.221	0.1971
		E-3	x	0.2483	0.2327	0.246	0.2594
			y	0.2358	0.3036	0.201	0.2296

● BIN : x x x



## Notes:

1. I<sub>v</sub> : Tolerance for each Bin limit is ± 10 %
2. Color : Tolerance for each Bin limit is ±0.005
3. Bin categories are established for classification of products.  
Products may not be available in all bin categories

## ● Reliability Test

Classification	Test Item	Reference Standard	Test Conditions	Result
Endurance Test	Operation Life	MIL-STD-750:1026 MIL-STD-883:1005 JIS-C-7021 :B-1	Connect with a power $I_f=20\text{mA}$ $T_a$ =Under room temperature Test time=1,000hrs	
	High Temperature High Humidity Storage	MIL-STD-202:103B JIS-C-7021 :B-11	$T_a=+65^\circ\text{C}\pm 5^\circ\text{C}$ RH=90%-95% Test time=240hrs	0/20
	High Temperature Storage	MIL-STD-883:1008 JIS-C-7021 :B-10	High $T_a=+85^\circ\text{C}\pm 5^\circ\text{C}$ Test time=1,000hrs	0/20
	Low Temperature Storage	JIS-C-7021 :B-12	Low $T_a=-35^\circ\text{C}\pm 5^\circ\text{C}$ Test time=1,000hrs	0/20
Environmental Test	Temperature Cycling	MIL-STD-202:107D MIL-STD-750:1051 MIL-STD-883:1010 JIS-C-7021 :A-4	$-35^\circ\text{C} \sim +25^\circ\text{C} \sim +85^\circ\text{C} \sim +25^\circ\text{C}$ 60min 20min 60min 20min Test Time=5cycle	0/20
	Thermal Shock	MIL-STD-202:107D MIL-STD-750:1051 MIL-STD-883:1011	$-35^\circ\text{C}\pm 5^\circ\text{C} \sim +85^\circ\text{C}\pm 5^\circ\text{C}$ 20min 20min Test Time=10cycle	0/20
	Solder Resistance	MIL-STD-202:201A MIL-STD-750:2031 JIS-C-7021 :A-1	Preheating : 140°C-160°C, within 2 minutes. Operation heating : 260°C (Max.), within 10seconds. (Max.)	0/20

## ● Judgment criteria of failure for the reliability

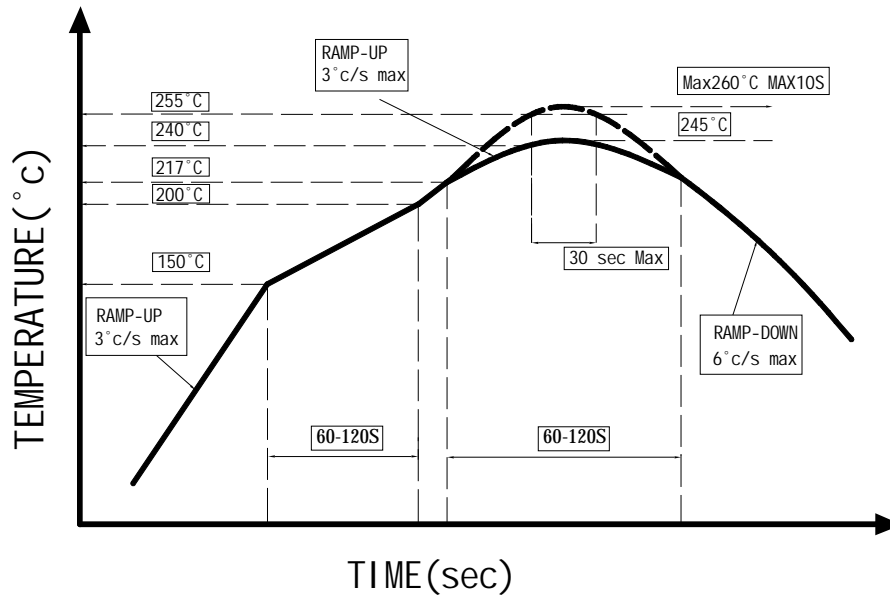
Measuring items	Symbol	Measuring conditions	Judgement criteria for failure
Forward voltage	$V_F$ ( V )	$I_F=20\text{mA}$	Over $U_x1.2$
Reverse current	$I_R$ ( $\mu\text{A}$ )	$V_R=5\text{V}$	Over $U_x2$
Luminous intensity	$I_v$ ( mcd )	$I_F=20\text{mA}$	Below $SX0.7$

Note: 1.U means the upper limit of specified characteristics. S means initial value.

2.Measurment shall be taken between 2 hours and after the test pieces have been returned to normal ambient conditions after completion of each test.



## ● IR-Reflow Soldering



1. Avoid any external stress applied to the resin while the LEDs are at high temperature, especially during soldering .
2. Avoid rapid cooling or any excess vibration during temperature ramp-down process
3. Although the soldering condition is recommended above, soldering at the lowest possible temperature is feasible for the LEDs

## ● IRON Soldering

**350°C Within 3 sec, one time only.**

● **Handling :**

Care must be taken not to cause to the resin portion of BRIGHT LEDs while it is exposed to high temperature.

Care must be taken not rub the epoxy resin portion of BRIGHT LEDs with hard or sharp article such as the sand blast and the metal hook.

● **Notes for designing:**

Care must be taken to provide the current limiting resistor in the circuit so as to drive the BRIGHT LEDs within the rated figures. Also, caution should be taken not to overload BRIGHT LEDs with instantaneous voltage at the turning ON and OFF of the circuit.

When using the pulse drive care must be taken to keep the average current within the rated figures. Also, the circuit should be designed so as be subjected to reverse voltage when turning off the BRIGHT LEDs.

● **Storage:**

In order to avoid the absorption of moisture, it is recommended to solder BRIGHT LEDs as soon as possible after unpacking the sealed envelope.

If the envelope is still packed, to store it in the environment as following:

- (1) Temperature : 5°C-30°C (41°F) Humidity : RH 60% Max.
- (2) After this bag is opened, devices that will be applied to infrared reflow, vapor-phase reflow, or equivalent soldering process must be:
  - a. Completed within 24 hours.
  - b. Stored at less than 20% RH.
- (3) Devices require baking before mounting, if:
  - (2) a or (2) b is not met.
- (4) If baking is required, devices must be baked under below conditions:
  - 48 hours at 60°C±5°C.

● **Package and Label of Products:**

- (1) Package: Products are packed in one bag of 3000 pcs (one taping reel) and a label is attached on each bag.
- (2) Label:

