

MATERIALS AND FINISHES

BODY: BRASS
PLATED: NICKEL

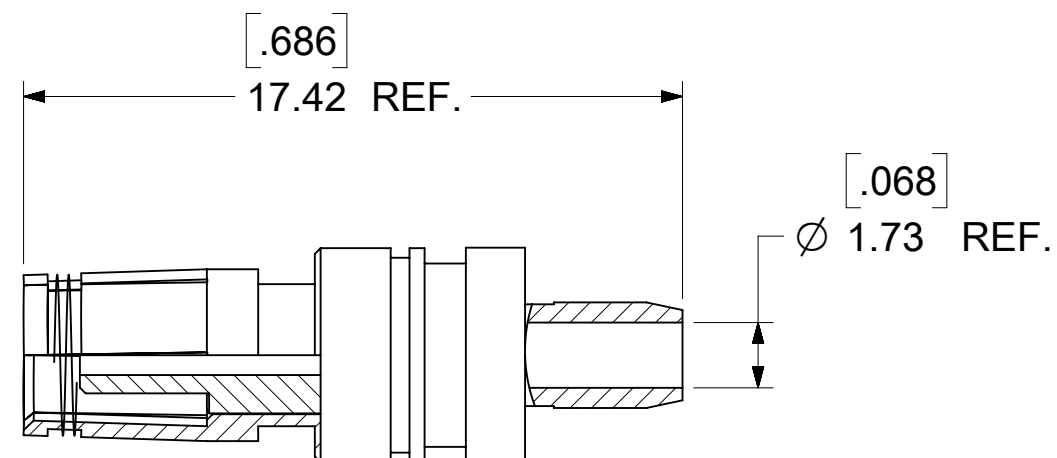
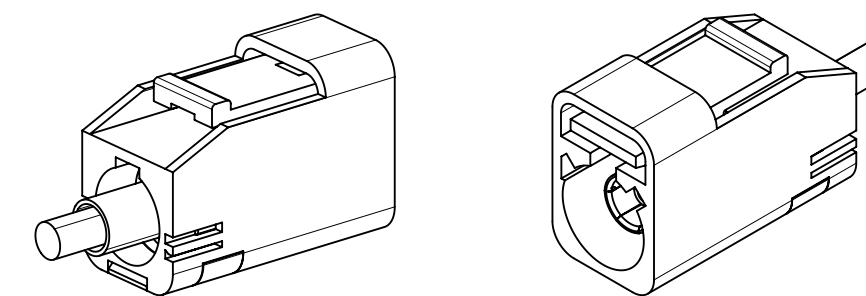
CENTER CONTACT: PHOSPOR BRONZE
PLATED: GOLD

CRIMP TUBE: BRASS
PLATED: NICKEL

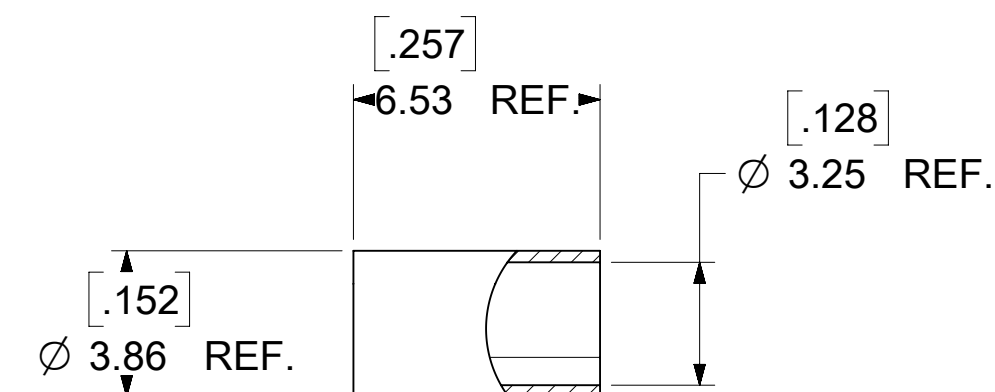
OUTER CASING: NYLON 66 OR EQUIVALENT
KEYING: SEE TABLE
COLOR: SEE TABLE

INSULATOR: PP

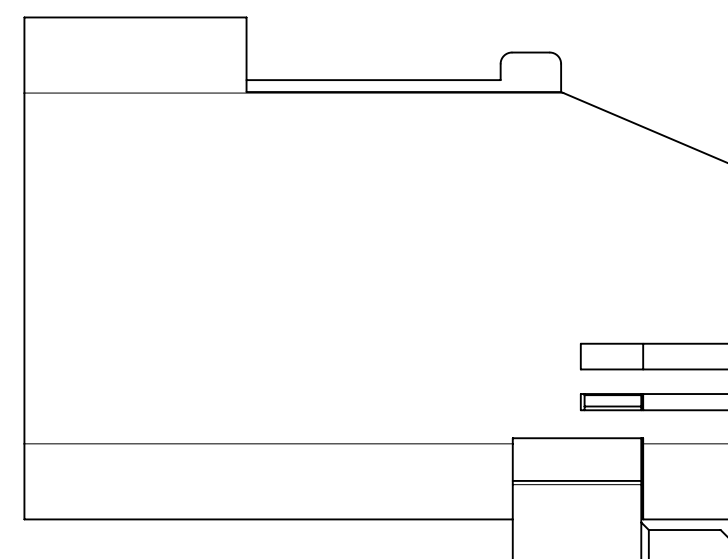
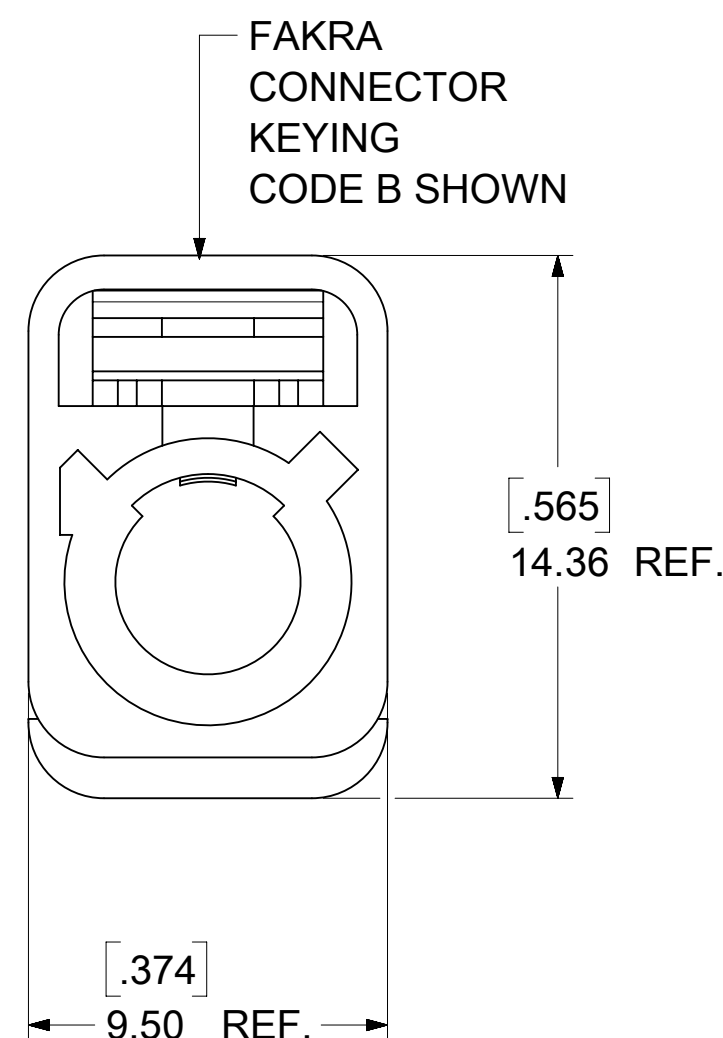
PACKAGING BY SINGLE BAG



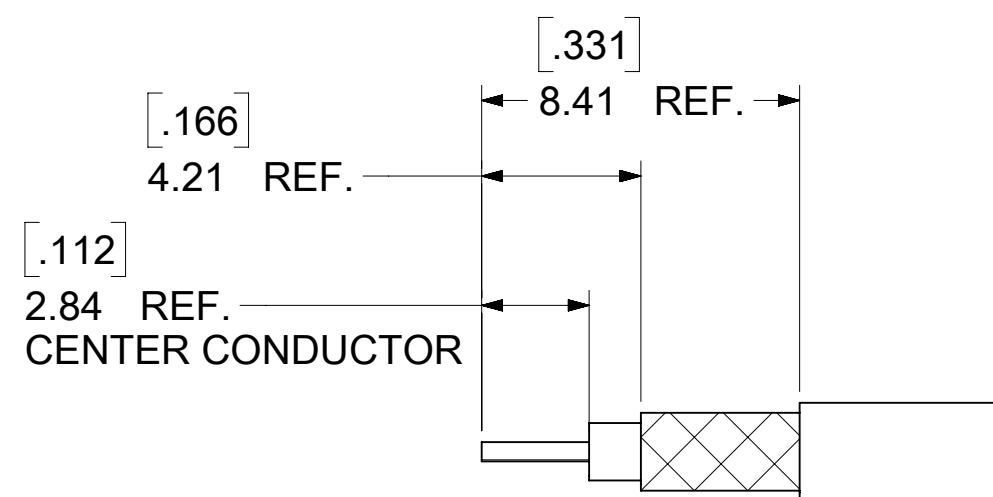
CENTER CONTACT
PART NO.: 89538-0781



CRIMP TUBE
PART NO.: 89613-1792



SECONDARY LOCK
(TPA)

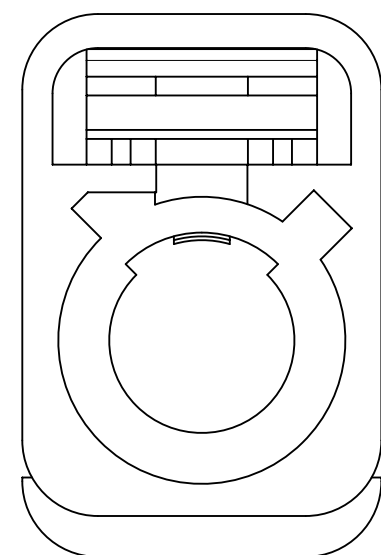


RECOMMENDED CABLE STRIP DIM.

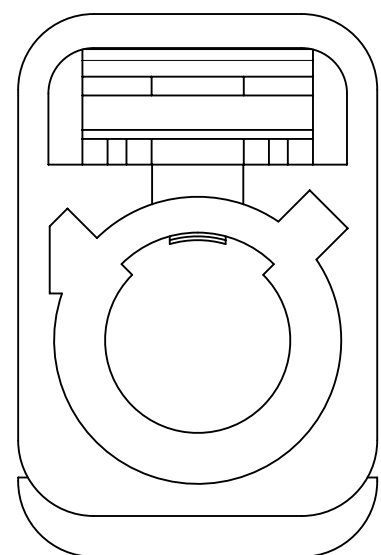
AS-73597-045	ASSEMBLY INSTYUCTION
PS-89675-331	PRODUCT SPECIFICATION
DIN 72594-1	INTERFACE SPECIFICATION
SPECIFICATION	DESCRIPTION

2018/04/16	A2	REMOVE TITLE II PER 173731
2013/09/10	A1	TYPO
DATE	REV.	DESCRIPTION

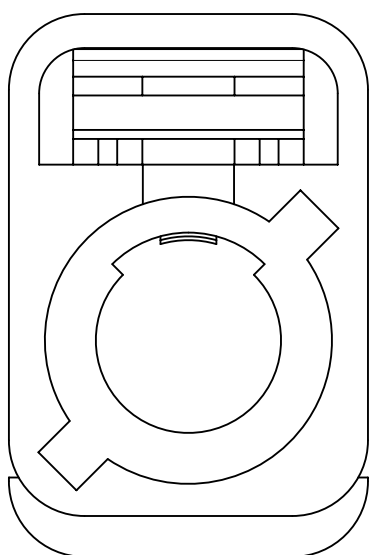
SYMBOLS ▽ = 0 ▽ = 0 ▽ = 0 ▽ = 0 ▽ = 0 ▽ = 0 ▽ = 0 ▽ = 0 ▽ = 0 ▽ = 0	THIS DRAWING CONTAINS INFORMATION THAT IS PROPRIETARY TO MOLEX ELECTRONIC TECHNOLOGIES, LLC AND SHOULD NOT BE USED WITHOUT WRITTEN PERMISSION		DIMENSION UNITS: HYBRID SCALE: NTS		CURRENT REV DESC:			
	GENERAL TOLERANCES (UNLESS SPECIFIED) ANGULAR TOL ± 2.0°		EC NO: 173731 DRWN: ELIN 2018/04/12 CHK'D: YCHENG 2018/05/03 APPR: YCHENG 2018/05/03		SMB PLUG FAKRA STR. 50 OHMS FOR RG316 FAKRA -PC			
	DRAFT WHERE APPLICABLE MUST REMAIN WITHIN DIMENSIONS		THIRD ANGLE PROJECTION		DRAWING: C-SIZE SERIES: 73403		PRODUCT CUSTOMER DRAWING	
	DOCUMENT NUMBER: SD-73403-626		DOC TYPE: PSD DOC PART: 001 REVISION: A2		MATERIAL NUMBER: SEE SHEET 2 CUSTOMER: GENERAL MARKET SHEET NUMBER: 1 OF 3			



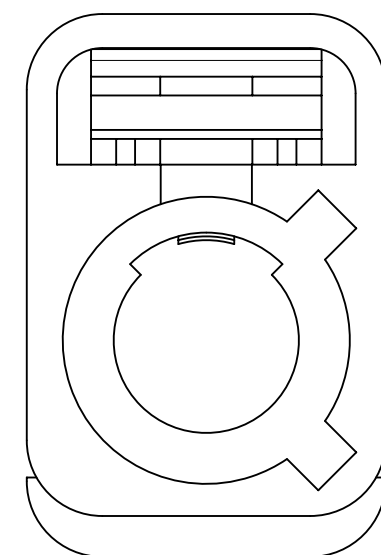
CODE A



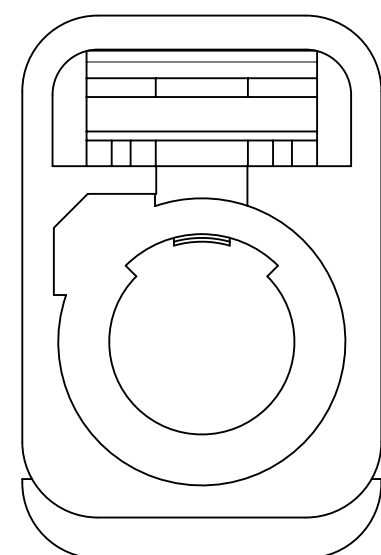
CODE B



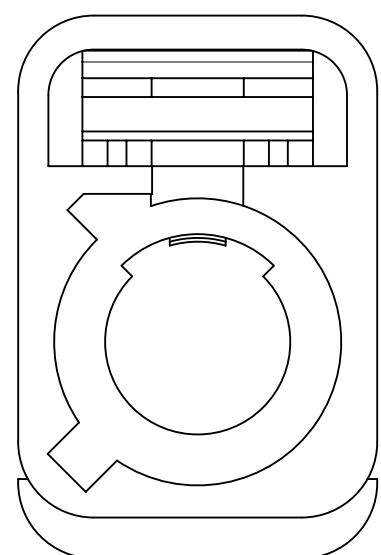
CODE C



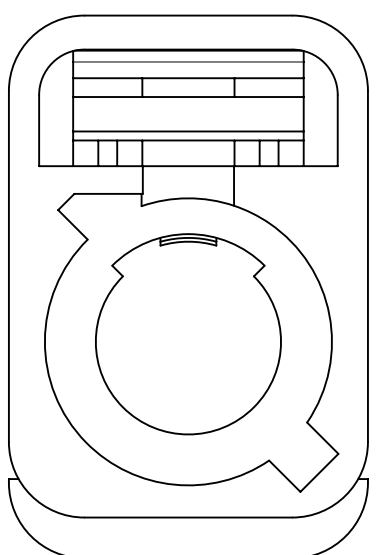
CODE D



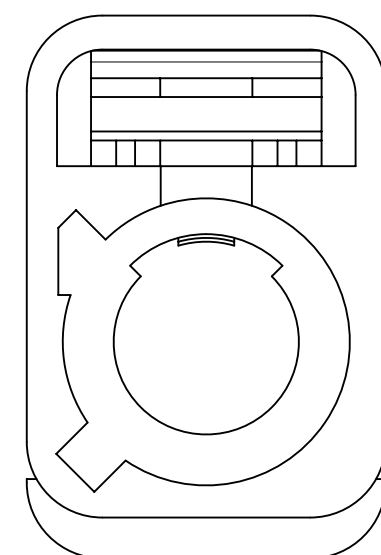
CODE E



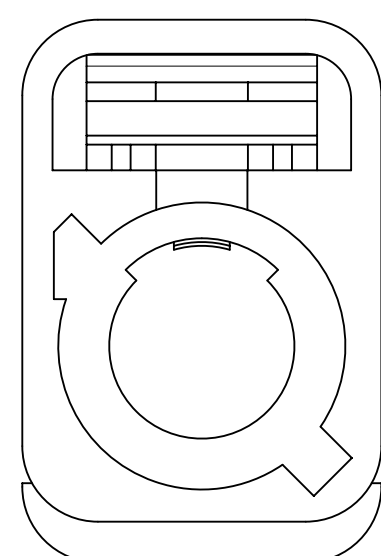
CODE F



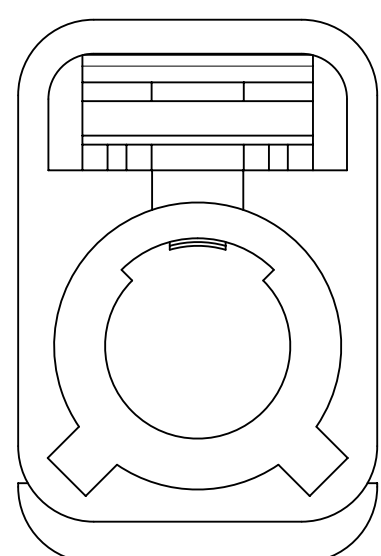
CODE G



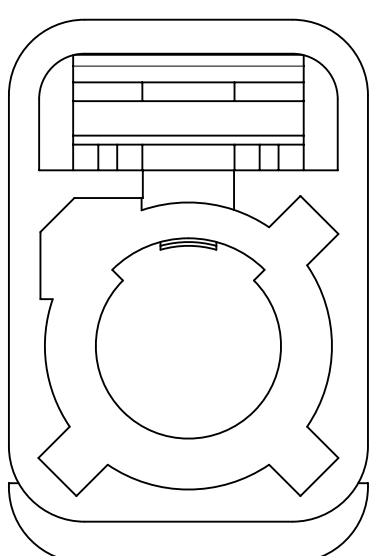
CODE H



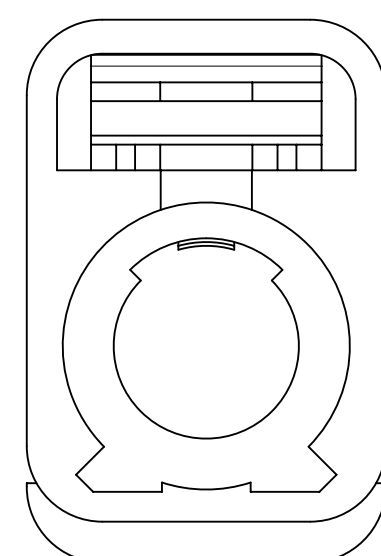
CODE I



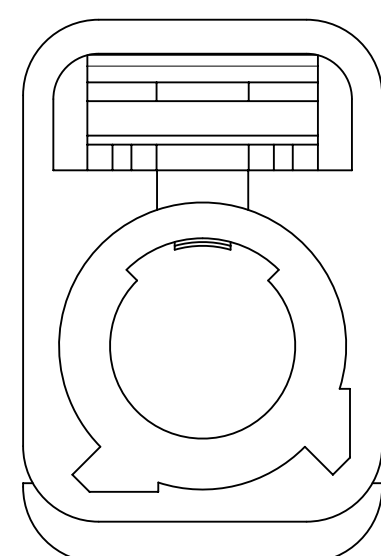
CODE K



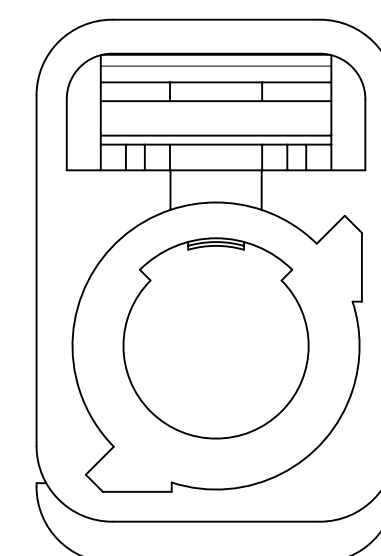
CODE Z



CODE L



CODE M



CODE N

N	PASTEL GREEN	73403-6273
M	PASTEL ORANGE	73403-6272
L	CARMINE RED	73403-6271
Z	WATER BLUE	73403-6270
K	CURRY YELLOW	73403-6269
I	BEIGN	73403-6268
H	VIOLET	73403-6267
G	GRAY	73403-6266
F	BROWN	73403-6265
E	GREEN	73403-6264
D	BORDEAUXVILOET	73403-6263
C	BLUE	73403-6262
B	SINGLE WHITE	73403-6261
A	BLACK	73403-6260
KEYING CODE	COLOR	PART NO.

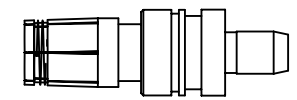
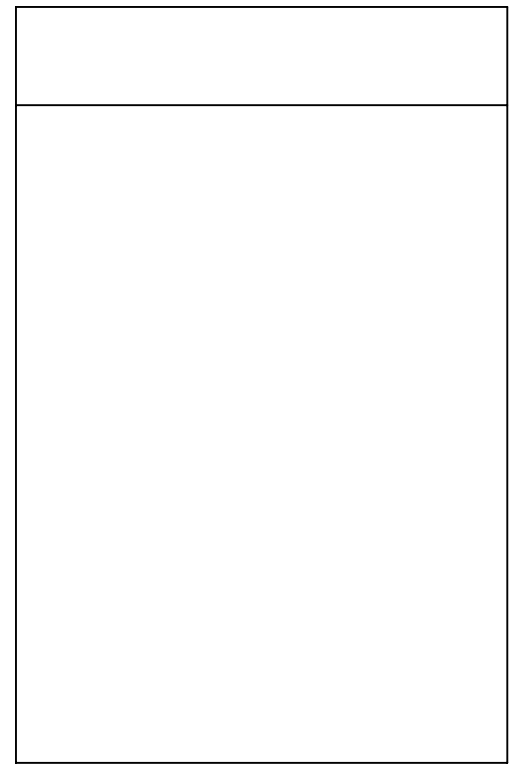
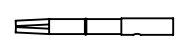
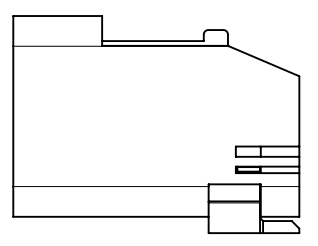
THIS DRAWING CONTAINS INFORMATION THAT IS PROPRIETARY TO MOLEX ELECTRONIC TECHNOLOGIES, LLC AND SHOULD NOT BE USED WITHOUT WRITTEN PERMISSION												
SYMBOLS		DIMENSION UNITS		SCALE		CURRENT REV DESC:						
= 0		HYBRID		NTS		EC NO: 173731						
= 0		GENERAL TOLERANCES (UNLESS SPECIFIED)						DRWN: ELIN		2018/04/12		
= 0		ANGULAR TOL ± 2.0°						CHK'D: YCHENG		2018/05/03		
= 0		4 PLACES ±						APPR: YCHENG		2018/05/03		
= 0		3 PLACES ±						INITIAL REVISION:				
= 0		2 PLACES ±						DRWN: ELIN		2012/12/05		
= 0		1 PLACE ±						APPR: MHUANG		2013/07/10		
= 0		0 PLACES ±						THIRD ANGLE PROJECTION		DRAWING		
= 0		DRAFT WHERE APPLICABLE MUST REMAIN WITHIN DIMENSIONS						C-SIZE		SERIES		
= 0								73403		MATERIAL NUMBER		
								SEE TABLE		CUSTOMER		
								GENERAL MARKET		SHEET NUMBER		
								2 OF 3				

molex

SMB PLUG FAKRA STR.
50 OHMS FOR RG316 FAKRA -PC

PRODUCT CUSTOMER DRAWING

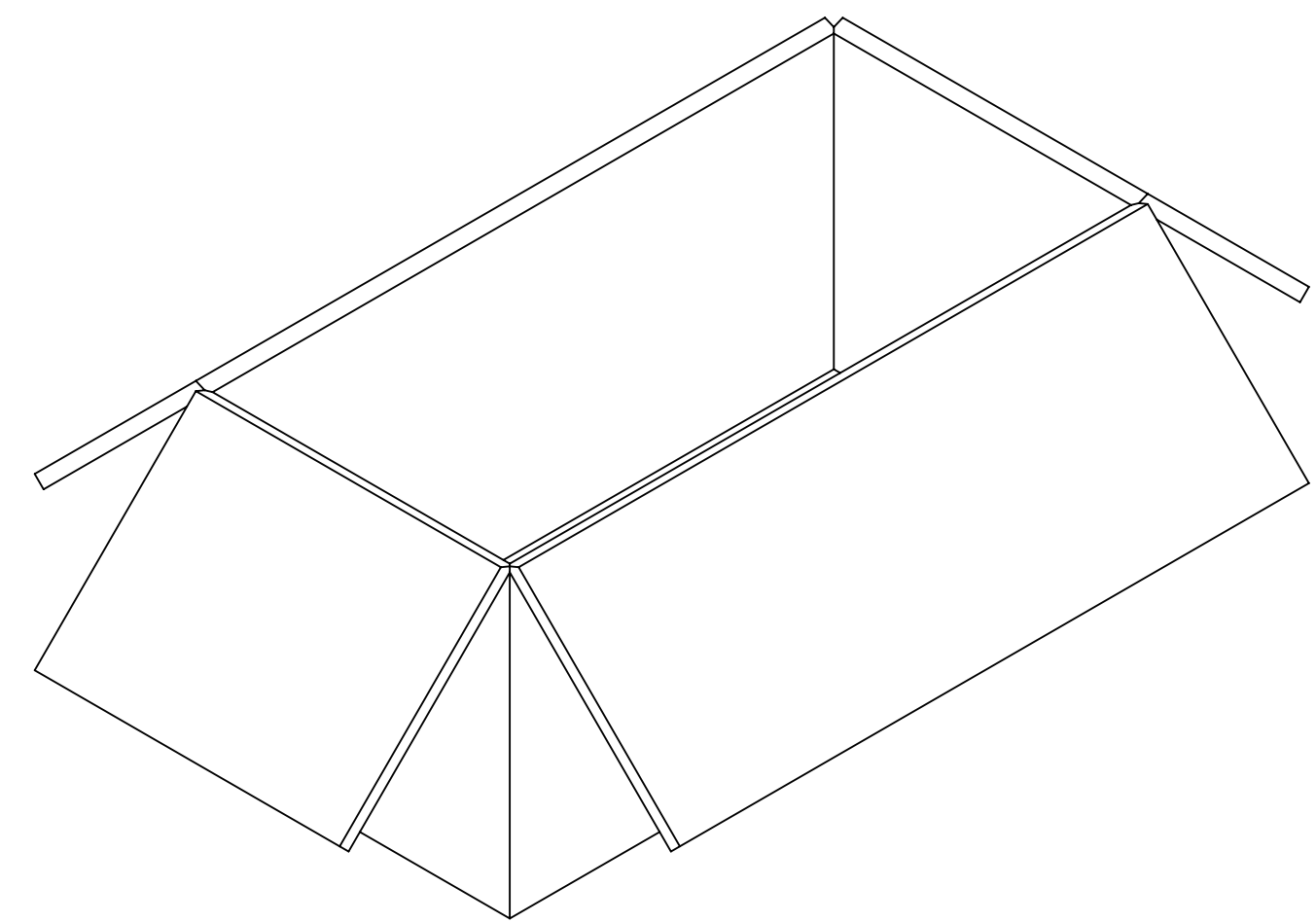
DOCUMENT NUMBER	DOC TYPE	DOC PART	REVISION
SD-73403-626	PSD	001	A2



SHROUD WITH TPA x1
 CRIMP TUBE x1
 SMB SUB ASSY x1
 CENTER CONTACT x1

1 SET PER BAG
 BAG P/N: 89707-0317

50 SET PER BAG
 BAG P/N: 89707-0174
 6" x 12"



500 SET PER CARTON BOX
 P/N: 96707-0002
 367*176*188mm

SYMBOLS ▽ = 0 ▽ = 0 ▽ = 0 ▽ = 0 ▽ = 0 ▽ = 0 ▽ = 0 ▽ = 0 ▽ = 0 ▽ = 0	THIS DRAWING CONTAINS INFORMATION THAT IS PROPRIETARY TO MOLEX ELECTRONIC TECHNOLOGIES, LLC AND SHOULD NOT BE USED WITHOUT WRITTEN PERMISSION	DIMENSION UNITS: HYBRID SCALE: NTS		CURRENT REV DESC:									
	GENERAL TOLERANCES (UNLESS SPECIFIED)		EC NO: 173731		DRWN: ELIN 2018/04/12		SMB PLUG FAKRA STR. 50 OHMS FOR RG316 FAKRA -PC						
	ANGULAR TOL ± 2.0°		DRWN: ELIN 2018/05/03		CHK'D: YCHENG		APPR: YCHENG 2018/05/03		PRODUCT CUSTOMER DRAWING				
	4 PLACES ±		INITIAL REVISION:		DRWN: ELIN 2012/12/05		APPR: MHUANG 2013/07/10		DOCUMENT NUMBER: SD-73403-626		DOC TYPE: PSD	DOC PART: 001	REVISION: A2
	3 PLACES ±		DRAFT WHERE APPLICABLE MUST REMAIN WITHIN DIMENSIONS		THIRD ANGLE PROJECTION	DRAWING: C-SIZE	SERIES: 73403	MATERIAL NUMBER: SEE SHEET 2		CUSTOMER: GENERAL MARKET		SHEET NUMBER: 3 OF 3	
	2 PLACES ±		1 PLACE ±	0 PLACES ±			73403	SEE SHEET 2		GENERAL MARKET		3 OF 3	
	DOCUMENT STATUS: P1 RELEASE DATE: 2018/05/03 08:38:04												