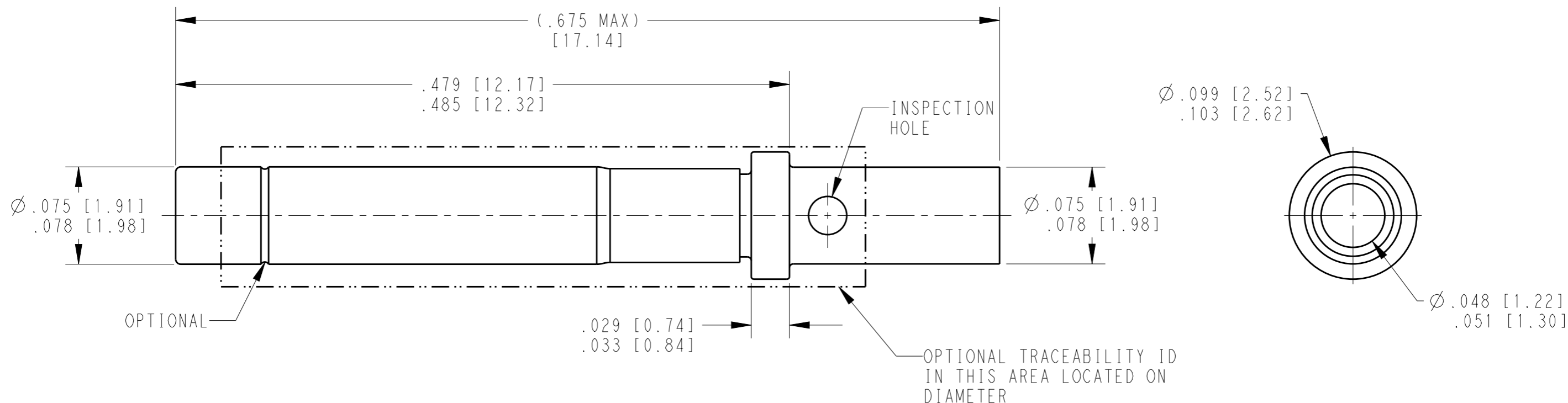


THIS DRAWING IS UNPUBLISHED
 RELEASED FOR PUBLICATION 2018
 © COPYRIGHT 1994 BY TE CONNECTIVITY ALL RIGHTS RESERVED.

REVISIONS					
P	LTR	DESCRIPTION	DATE	DWN	APVD
	A	REVISED PER E.O. P15996	25MAY1999	DM	RDR
	B	REVISED PER E.O. P21222	07DEC2011	DM	RDR
	C	REVISED PER PCN E-18-001206	24JAN2018	JA	DM
	C1	REVISED PER PCN E-19-008828	04JUNE2019	JA	IG



TE INTERNAL PN	DEUTSCH PN	PLATING
0462-201-2031	0462-201-2031	GOLD
0462-201-20141	0462-201-20141	NICKEL
0462-201-20309	0462-201-20309	TIN

THIS DRAWING IS A CONTROLLED DOCUMENT.		DWN D. MEYER 16APR1999																
DIMENSIONS: INCHES [mm]		CHK D. MEYER 07DEC2011																
TOLERANCES UNLESS OTHERWISE SPECIFIED:		APVD R. REED 07DEC2011	NAME CONTACT SOCKET SIZE 20															
<table border="0"> <tr><td>0 PLC</td><td>±</td></tr> <tr><td>1 PLC</td><td>±</td></tr> <tr><td>2 PLC</td><td>±</td></tr> <tr><td>3 PLC</td><td>±</td></tr> <tr><td>4 PLC</td><td>±</td></tr> <tr><td>ANGLES</td><td>±</td></tr> </table>		0 PLC	±	1 PLC	±	2 PLC	±	3 PLC	±	4 PLC	±	ANGLES	±	PRODUCT SPEC 0425-015-0000	SIZE A3	CAGE CODE 4AFU8	DRAWING NO C=0462-201-20XX	RESTRICTED TO -
0 PLC	±																	
1 PLC	±																	
2 PLC	±																	
3 PLC	±																	
4 PLC	±																	
ANGLES	±																	
MATERIAL		APPLICATION SPEC 0425-205-0000	SCALE 12:1															
FINISH		WEIGHT 0.27g	SHEET 1 OF 1															
		CUSTOMER DRAWING	REV C1															

1. WIRE RANGE : 20 AWG [0.5 mm²].

NOTES: UNLESS OTHERWISE SPECIFIED