

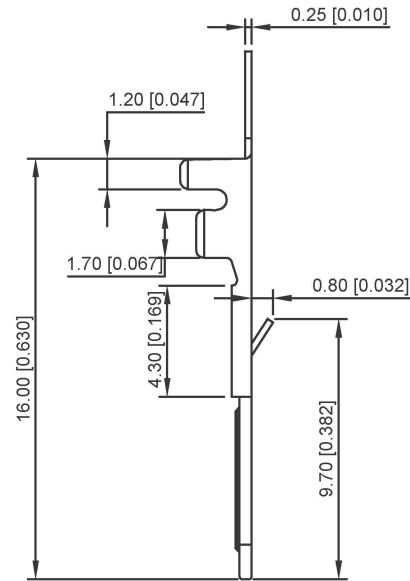
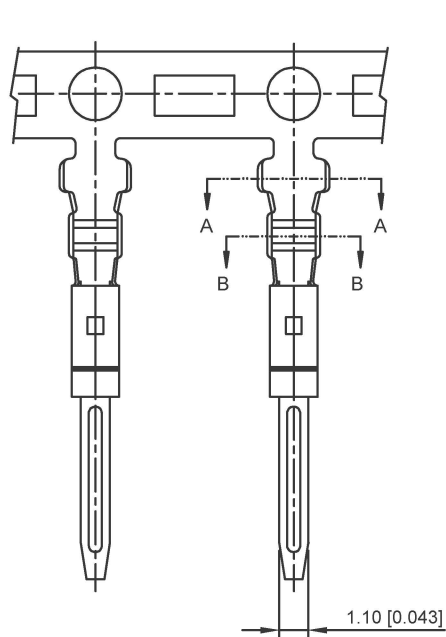
■ 规格 Specifications:

- 额定电压 Voltage rating:250V AC/DC
- 额定电流 Current rating:3A AC/DC
- 耐电压 Withstanding voltage:1500V AC/minute
- 温度区间 Temperature range:-40°C~+105°C
- 绝缘电阻 Insulation resistance:≥500MΩ
- 接触电阻 Contact resistance:≤10mΩ
- 环境测试后 After environmental testing:≤20mΩ

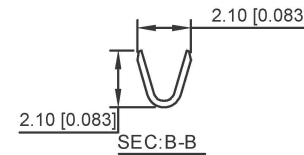
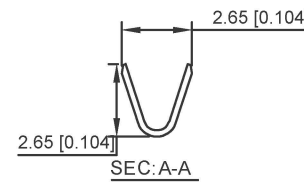
XKB Connectivity

X2521 T M P SN-G
① ② ③ ④ ⑤ ⑥

- ① Series No.
- ② Category: T-Terminal
- ③ Welding Board Angle: M-male
- ④ Material: P-Phosphor Bronze
- ⑤ Plating style: SN-Bright tin plating
- ⑥ G:mating -G



XKB Connectivity



XKB Connectivity

X2521 TM-PSN-G	Phosphor Bronze	AWG#22-28	1.80mm(MAX)	Tin-Plated	X2521HF-G
PART NO	Material	Wire Range	Insultion O.D	Finsh(Pin)	Suitable XKB Terminal

广东星坤科技股份有限公司

生	日期
效	日期
MARK	DESCRIPTION
文件	工程
章	章

ANGULAR	±5°
L ≤ 4	±0.2
4 < L ≤ 16	±0.3
16 < L ≤ 63	±0.4
L > 63	±0.5
UNSPECIFIED TOLERANCES	

DSND	DATE	SCALE: N/A	MODEL TYPE: X2521TM-PSN-G
DWN	DATE	VIEW:	PART NO.:
CHKD	DATE	UNIT: mm/in	DWG NO.:
APPD	DATE	SIZE: A4	
XKB INDUSTRIAL PRECISION CO., LIMITED			WEIGHT 1.0g
			SHEET 1/1
			REVISION A0