

雅晶鑫電子

Shenzhen Yajingxin Electron Co.,Ltd

Customer	
Production Name	CRYSTAL SEAM 3.2*1.5
Customer P/N	
P/N	TNXM32768K2NGDCZT2T
Revision	A
Print Date	2022/5/20

Drawn	Checked	Approved
		



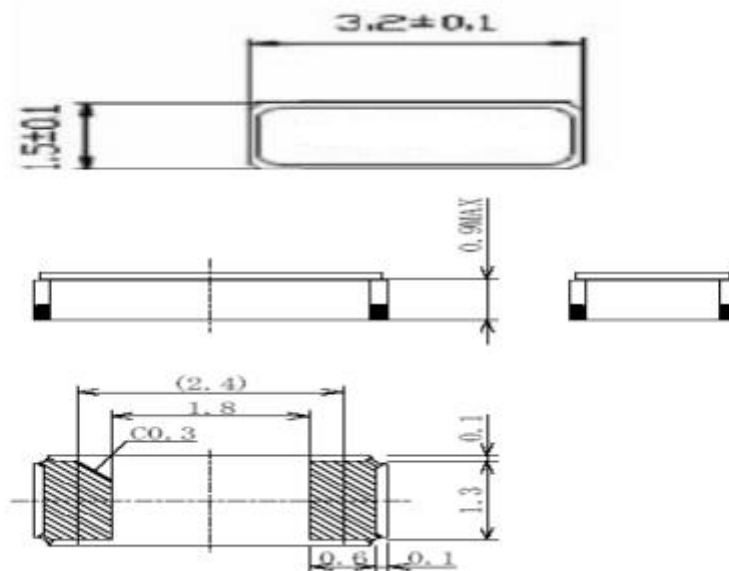
RoHS Compliant

● ELECTRICAL PARAMETERS

谐振器产品技术指标		Min	Max	Units
1.Holder Type(型号规格)		SEAM 3215		
3. Frequency (标称频率)		32.768000		KHz
4.Load Capacitance (CL) (负载电容)		12.5		pF
5.Drive Level (激励功率)		1.000		uw
6.Equivalent Resistance (谐振电阻)			70	KΩ
9.Frequency Tolerance at 25°C (调整频差)		-20	20	ppm
10.Temperature Coefficient 二次温度系数		[-0.034±0.01]ppm/°C		
11.Insulation Resistance (at DC 100V) (绝缘电阻)		500		MΩ
12.Operating Temperature Range (工作温度范围)		-40	85	°C
13. Storage Temperature Range (储存温度范围)		-55	125	°C
14. Aging (老化率)		± 5		ppm/year
15. DLD2	N/A		N/A	Ω
16. FLD2			N/A	ppm
17. RLD2			N/A	Ω
18. SPDB	N/A		N/A	db
19. Other(其它)		N/A		

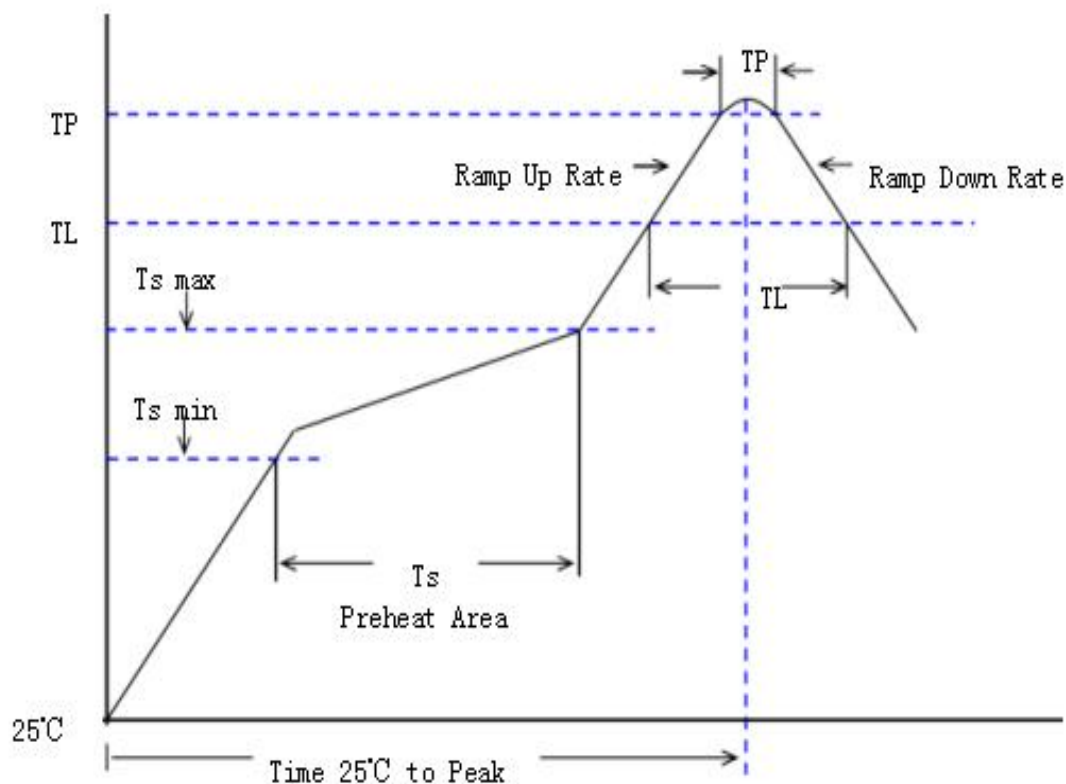
OUTLINE DIMENSIONS(UNIT:mm) 外形尺寸 (单位: mm)

FREQUENCY VS. TEMPERATURE CURVE



参考标准REFER: JEDEC J-STD-020D

Profiles Feature	Pb-Free Assembly
Preheat/Soak	
Temperature Min (Ts min)	150°C
Temperature Max (Ts max)	200°C
Time (Ts) from (Ts min to Ts max)	60-120 seconds
Ramp-up rate (TL to TP)	3°C/second max.
Liquidous temperature (TL)	217°C
Time (TL) maintained above TL	60-150 seconds
Peak/Classification Temperature (TP)	260±5°C
Time within 5°C of actual Peak Temperature (TP)	20~40 seconds
Ramp-down rate (TP to TL)	6°C/second max.
Time 25 ° C to peak temperature	8 minutes max.
Suggest reflow times	3 Times max



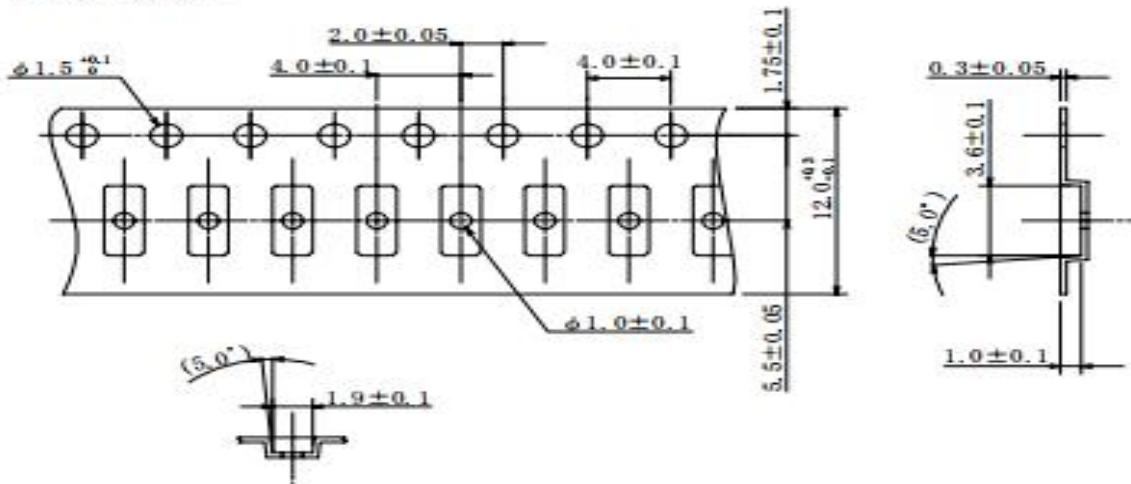
8. Tape and Reel Packaging

(unit:mm)

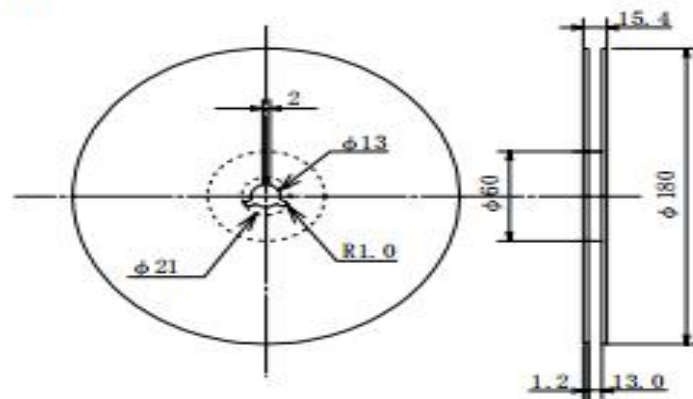
4) Taping Specification

Conforming to JIS C 0806-3

【Tape Dimensions】



【Reel Dimensions】



- Material(Carrier tape) : Black conductive PS
- Material (Cover tape) : Clear PE
- Material (Reel) : PS