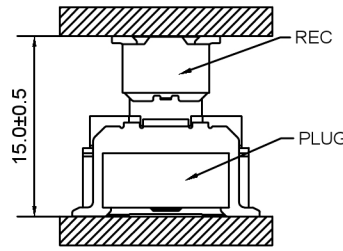
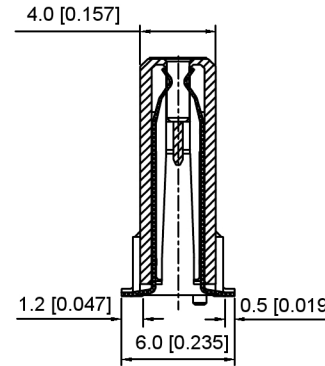


X方向浮动量/X Directio : ±0.7mm



Y方向浮动量/Y Directio : ±0.7mm



SECT :A-A

Specifications:

规格:

Voltage rating:50V AC/DC

额定电压: 50V AC/DC

Current rating:0.5A AC/DC

额定电流: 0.5A AC/DC

Withstanding voltage:200V AC/minute

耐受电压: 200V AC/分钟

Temperature range:-40°C+105°C

温度范围: -40°C+105°C

Insulation resistance:500MΩ Max

绝缘电阻: 500MΩ Max

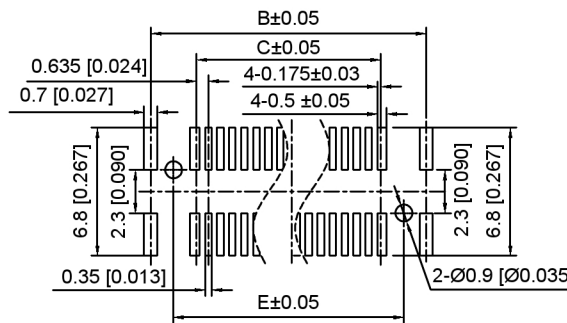
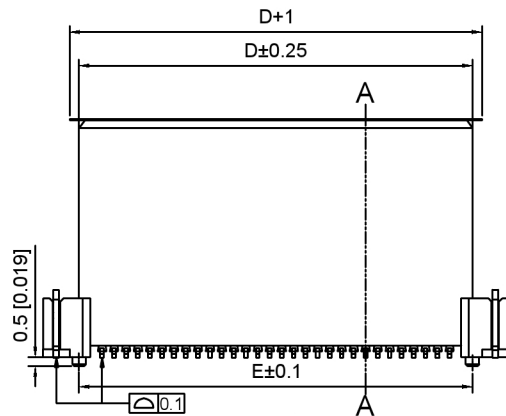
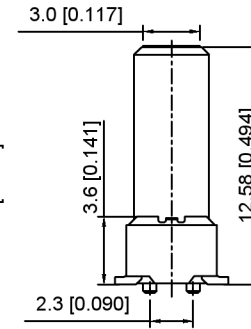
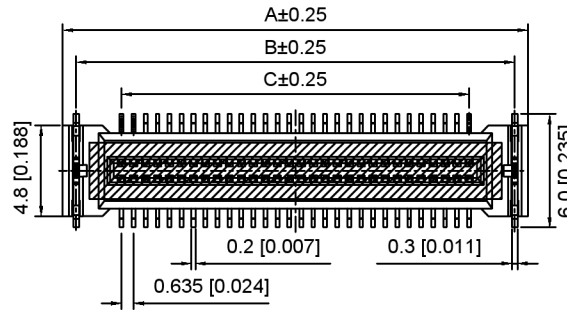
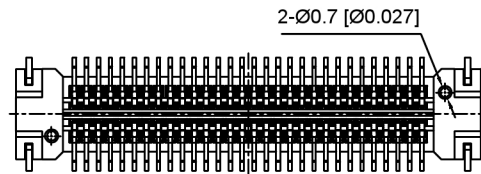
Contact resistance:20mΩ Max

接触电阻: 20mΩ Max

X0635 F V S - XX C S- LP V01

① ② ③ ④ ⑤ ⑥ ⑦ ⑧ ⑨

- 1.Series No
- 2.Category:Female
- 3.Welding Board Angle:V-Stright 180°
- 4.Welding Way:S-SMT
- 5.Row No.Pin No:XX-20~100P
- 6.Height:C=15.0mm, Mating height 15.0±0.5
- 7.Special No:S-With positioning column
- 8.Material:LP-LCP UL94V-0
- 9.Plating:V01-Gold palted 4u" MIN



PCB LAYOUT

Poles	Dimensions(mm)				
	A	B	C	D	E
20	11.950	10.550	5.715	8.150	8.150
30	15.125	13.725	8.890	11.325	11.325
40	18.300	16.900	12.065	14.500	14.500
50	21.475	20.075	15.240	17.675	17.625
60	24.650	23.250	18.415	20.850	20.850
70	27.825	26.425	21.590	24.025	24.025
80	31.000	29.600	24.765	27.200	27.200
90	34.175	32.775	27.940	30.375	30.375
100	37.350	35.950	31.115	33.550	33.550

X0635FVS-XXCS-LPV01	LCP	Phosphor Bronze	X0635W
PART NO	Material	Material(Pin)	Suitable XKB Wafer

DSND	SCALE: N/A	MODEL TYPE: 0.635mm BTB Connector
DWN	VIEW:	PART NO.: X0635FVS-XXCS-LPV01
CHKD	UNIT: mm/in	DWG NO.: X-X0635FVS-XXCS-LPV01
APPD	SIZE: A4	WEIGHT SHEET REVISION



XKB INDUSTRIAL PRECISION CO.,LIMITED

WEIGHT	SHEET	REVISION
	1/1	A0

广东星坤科技股份有限公司

Δx	日期
Δx	日期
Δx	日期

文件工程章

MARK	DESCRIPTION	DATE	REVISED	APPROVED	UNSPECIFIED TOLERANCES
	REVISIONS				