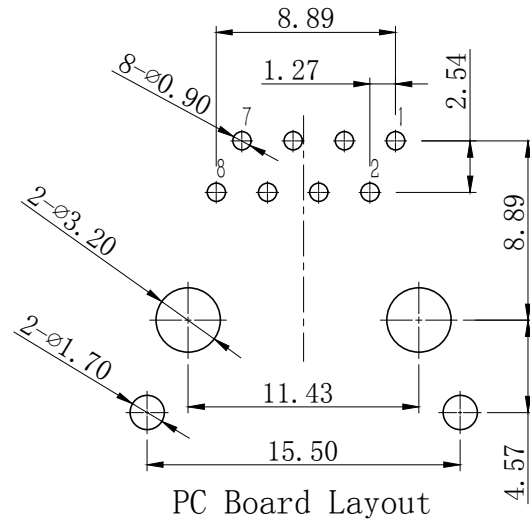
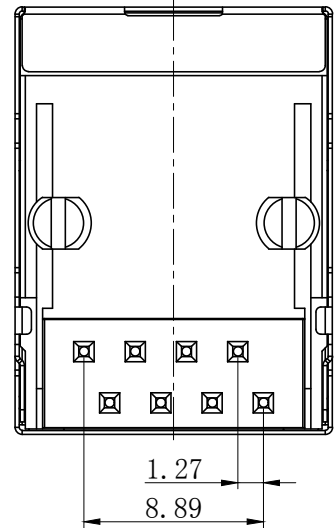
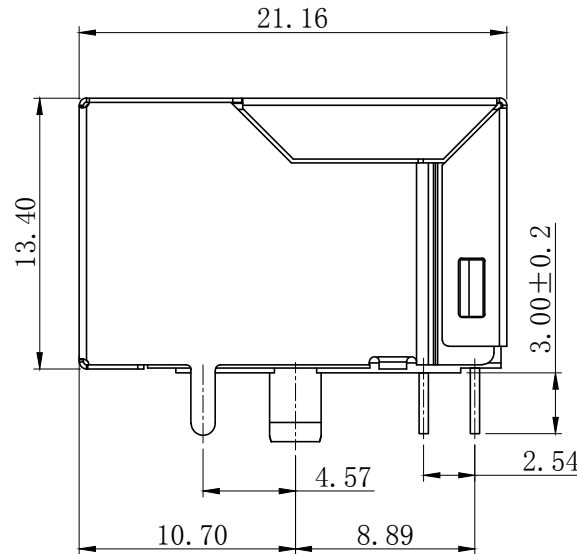
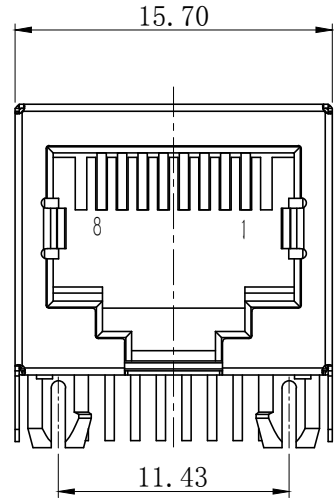


RoHS&REACH

ECN NO.	DESCRIPTION	DATE
A-1	更新图面细节	2021.11.28



材料Material:

- 外壳材质: PBT, PA66, PA46 (UL 94V-0)
Housing Material: PBT, PA66, PA46 (UL 94V-0)
- 触点材料: 圆针直径0.46mm磷青铜; 镀镍后镀金
Contact Material: Round Pins-0.46mm Diameter Phosphor Bronze; Gold Plating Over Nickel
- 屏蔽壳: 镀镍铜合金, 厚度0.2mm
Shield: 0.20mm Thickness Copper Alloy With Nickel Plated

电气Electrical

- 额定电压: 交流125伏
Voltage Rating : 125 VAC Rms
- 额定电流: 1.5安培
Current Rating: 1.5 AMP
- 接触电阻: 最大30毫欧
Contact Resistance: 30 Milliohms MaX
- 绝缘电阻: 直流500V下, 绝缘最小500兆欧
Insulation Resistance: 500 megohms min @500V DC
- 绝缘耐压: 交流60Hz 1000V下, 1分钟
Dielectric Withstanding Resistance: 1000V AC Rms 60Hz. 1Min
- 耐久: 插拔750次以上
Durability: 750 Cycles Min
- 工作温度: -40℃~+85℃
Operation Temperature: -40℃~+85℃

5901 - X X X X X X X X

Positions	Contacts	Ports	Shield	Peg/Tab	Back Peg	Plastic	Gold Plating
8	2, 4, 6 or 8	1-1×1 2-1×2 3-1×3 4-1×4 5-1×5 6-1×6 7-1×7 8-1×8	0-w/O Shield 1-Shielded w/O EMI 2-Shielded w/1 EMI 3-Shielded w/2 EMI 4-Shielded w/3 EMI 5-Shielded w/4 EMI 6-Shielded w/5 EMI 7-Shielded w/6 EMI 8-Shielded w/7 EMI	0-w/O Peg 1-Front Peg 3.68 2-Front Peg 4.57 3-Back Peg 3.05	0-w/O Back Peg 1-1 Back Peg 2-2 Back Peg 3-3 Back Peg	1-PBT 2-PA66 3-PA46	1-G/Fu" 2-3u" 3-6u" 4-15u" 5-30u" 6-50u"

未注公差	设计	X.C.S	比例	1:1
尺寸标注	公差	审核	单位	mm
.X	长度 ±0.25 角度 ±2.0°	批准	图幅	A4
.XX	±0.20 ±1.5°	角法	版本	A-1
.XXX	±0.15 ±1.0° ±0.10 ±0.5°		图数	第1页 共1页

恒连电子科技有限公司
EVERCOM ELECTRONIC TECHNOLOGY CO., LTD
<http://www.chinarj45.com>

产品型号 5901 1×1 8P8C 屏蔽脚前4.57
产品编号 5901-881120XX 图纸编号 HL2159A1120