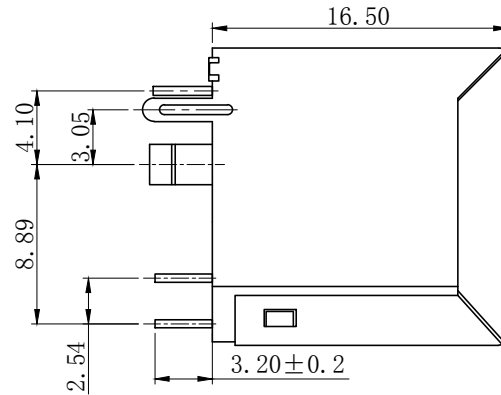
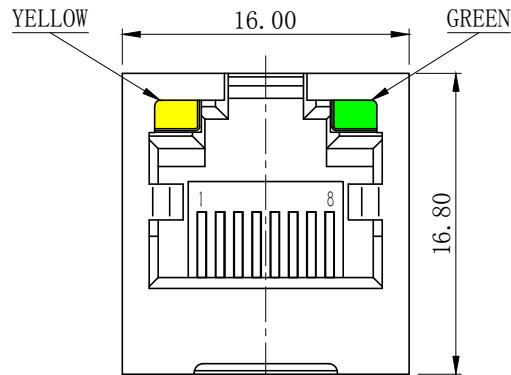


RoHS&REACH

ECN NO.	DESCRIPTION	DATE
A-1	PIN序、PCB屏蔽脚孔尺寸	2021.4.30
A-2	更新圈面细节	2021.11.22

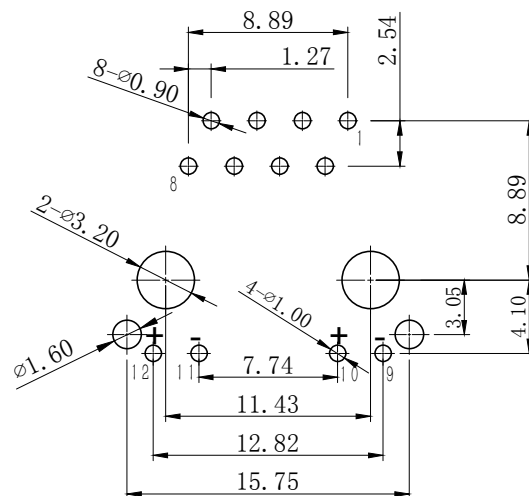
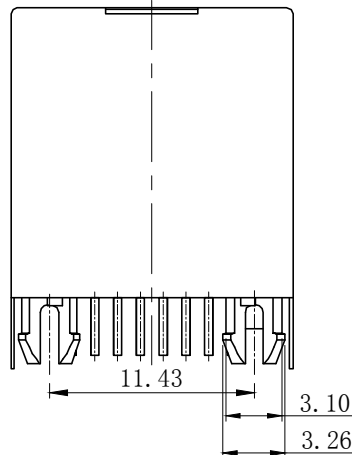


材料Material:

- 外壳材质: PBT, PA66, PA46 (UL 94V-0)
Housing Material: PBT, PA66, PA46 (UL 94V-0)
- 触点材料: 圆针直径0.46mm磷青铜; 镀镍后镀金
Contact Material: Round Pins-0.46mm Diameter Phosphor Bronze; Gold Plating Over Nickel
- 屏蔽壳: 镀镍铜合金, 厚度0.2mm
Shield: 0.20mm Thickness Copper Alloy With Nickel Plated

电气Electrical

- 额定电压: 交流125伏
Voltage Rating : 125 VAC Rms
- 额定电流: 1.5安培
Current Rating: 1.5 AMP
- 接触电阻: 最大30毫欧
Contact Resistance: 30 Milliohms MaX
- 绝缘电阻: 直流500V下, 绝缘最小500兆欧
Insulation Resistance: 500 megohms min @500V DC
- 绝缘耐压: 交流60Hz 1000V下, 1分钟
Dielectric Withstanding Resistance: 1000V AC Rms 60Hz. 1Min
- 耐久: 插拔750次以上
Durability: 750 Cycles Min
- 工作温度: -40℃~+85℃
Operation Temperature: -40℃~+85℃



PC Board Layout



Positions	Contacts	Ports	LED Style	Shield	Peg/Tab	Plastic	Color	Gold Plating
8	2,4,6 or 8	1-1x1 2-1x2 3-1x3 4-1x4 5-1x5 6-1x6 7-1x7 8-1x8	0-W/O LED 1-Y/G 2-G/Y 3-R/G 4-G/R 5-Y/Y 6-G/G 7-other	0-W/O Shield 1- W/ Shield	0-W/O Peg 1-FrontPeg 3.05 2-BackPeg 3.85	1-PBT 2-PA66 3-PA46	1-Black 2-Gray 3-other	1-G/Fu" 2-1u" 3-3u" 4-6u" 5-15u" 6-30u" 7-50u"

5203 X X X X X X X X X

未注公差		设计	X.C.S	比例	1:1
尺寸标注	公差	审核	批准	图幅	A4
	长度				
.X	±0.25 ±2.0°	角法	图数	第1页 共1页	产品型号 5203 1x1 8P8C 左黄右绿 屏蔽无弹 脚前3.05
.X	±0.20 ±1.5°				
.XX	±0.15 ±1.0°				
.XXX	±0.10 ±0.5°				产品编号 5203-881111XXX

恒连电子科技有限公司
EVERCOM ELECTRONIC TECHNOLOGY CO., LTD
http://www.chinarj45.com
图纸编号 HL2152L8804