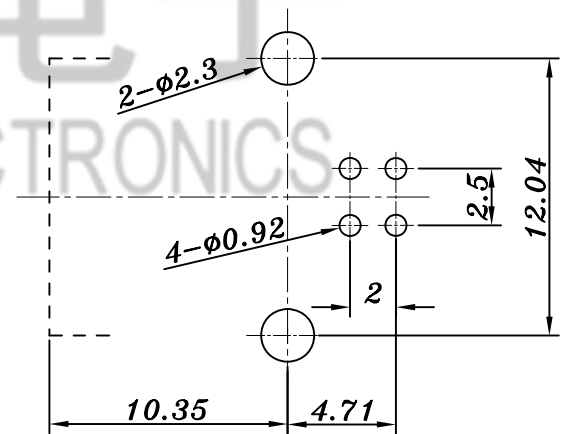


W: 胶舌 白色
FE: 外壳材质为铁

PCB LAYOUT



| | | | | TOLERANCE UNLESS SPECIFIED | | | | | | | |
|-----|--------------|----------|-----|-------------------------------|---------|---|------|------------|-----------|----------|------|
| | | | | UP TO 5mm: ±0.1 | ANGULAR | 1 | | | | | |
| | | | | ABOVE 5mm: ±0.2 | ±1° | NO | DATE | REVISIONS | | BY | APPD |
| 3 | CONTACT FOOT | BRONZE | 4 | Sn/Au-Plated | | TITLE: USB JACK | | UNIT: MM | ROHS | DWN | |
| 2 | COAT | IRON | 1 | Ni-Plated | | MODEL: USB-109-W-FE | | SCALE: 1:1 | COMPLIANT | CHK'D | |
| 1 | HOUSING | LCP | 1 | WHITE | | HAOYU(HONGKONG)LIMITED 皓宇(香港)有限公司 | | | | APPD | |
| NO. | PART NAME | MATERIAL | QTY | FINISHING | | | | | | PRO.AGL: | |