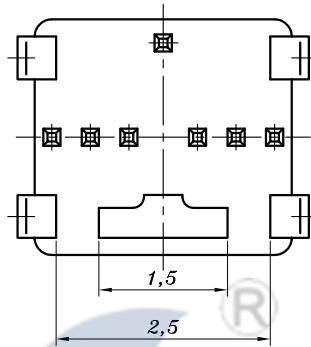
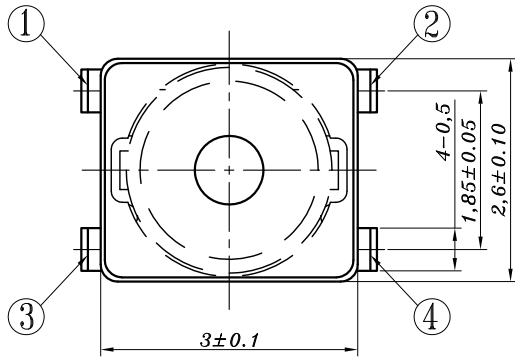
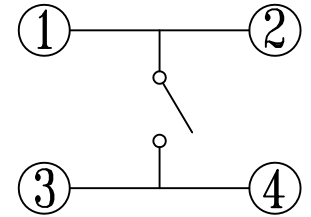
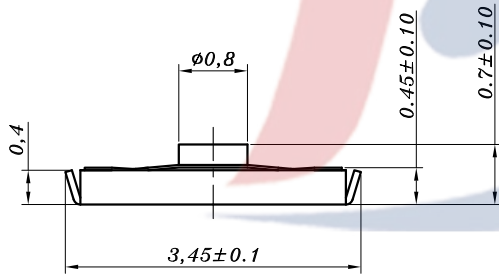
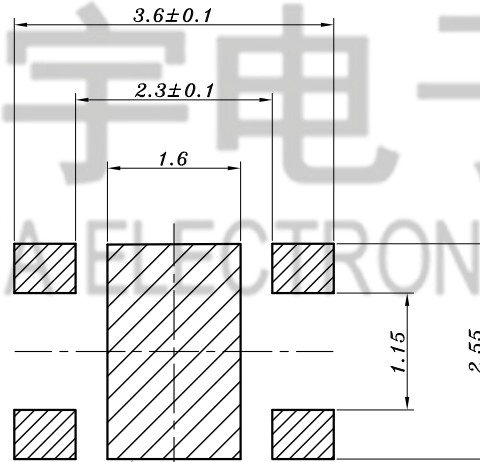


CIRCUIT DIAGRAM



P.C.B LAND DIMENSION



操作力 E: 250±50

PCB.circuit prohibited area

				TOLERANCE UNLESS SPECIFIED							
				UP TO 5mm: ±0.1	ANGULAR	1					
				ABOVE 5mm: ±0.2	±1°	NO	DATE	REVISIONS		BY	APPD
5	STEM	PA6T	1								
4	TAPE	PI	1								
3	CONTACT	SUS	4	Ag-Plating							
2	TERMINAL	PHOSPHOR BRONZE	1	Ag-Plating							
1	BASE	PA6T	1								
NO.	PART NAME	MATERIAL	QTY	FINISHING	TITLE: Tactile Switch MODEL: TS-1199U-E		UNIT : MM SCALE: 1:1	ROHS COMPLIANT	DWN CHK'D APPD		
					HAOYU(HONGKONG)LIMITED 皓宇(香港)有限公司			PRO.AGL:		REV :A0	