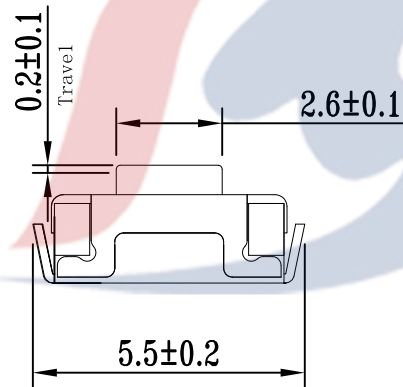
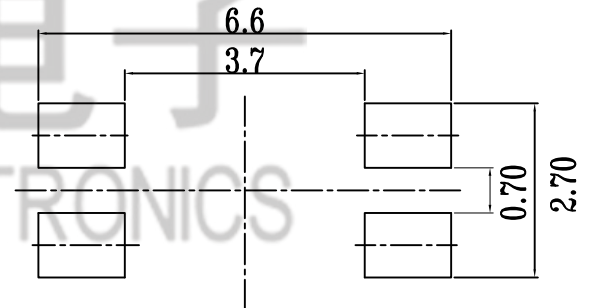
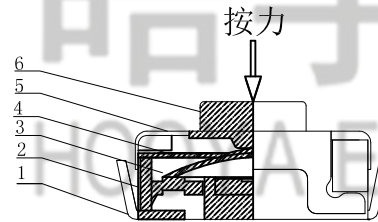


电路图



Travel: 0.2±0.05mm



PCB LAND PATTERN

H=XXmm

操作力 E: 250±50

				TOLERANCE UNLESS SPECIFIED							
				UP TO 5mm: ±0.1	ANGULAR						
				ABOVE 5mm: ±0.2	±1°	NO	DATE	REVISIONS		BY	APPD
6	STEM	LCP	1	BLACK/WHITE	TITLE: TACT SWITCH		UNIT : MM	ROHS COMPLIANT	DWN		
5	COVER	SUS	1	WASHING	MODEL: TS-1183U-E		SCALE: 1:1	CHK'D			
4	Waterproof membrane	PI	1	YELLOW	HAOYU(HONGKONG)LIMITED		APPD				
3	CONTACT	SUS	1	Ag-Plated	皓宇(香港)有限公司		PRO.AGL:		REV :A0		
2	CASE	LCP	1	BLACK							
1	TERMINAL	PBS	1	Ag-Plated							
NO.	PART NAME	MATERIAL	QTY	FINISHING							