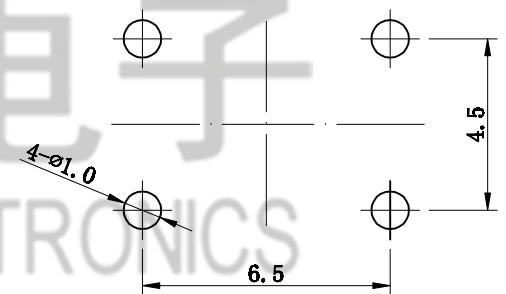
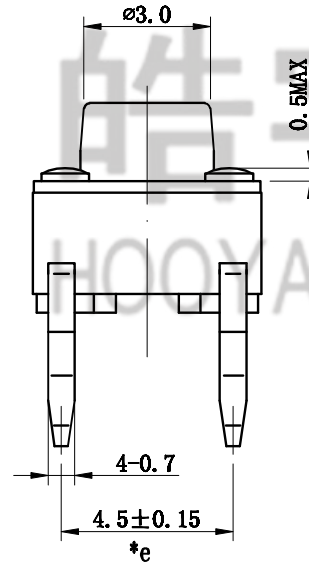
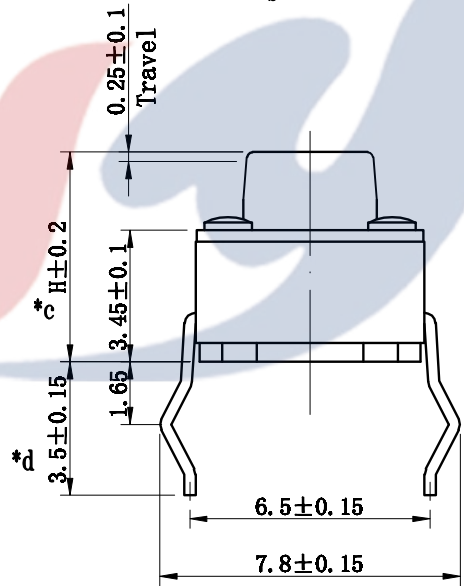
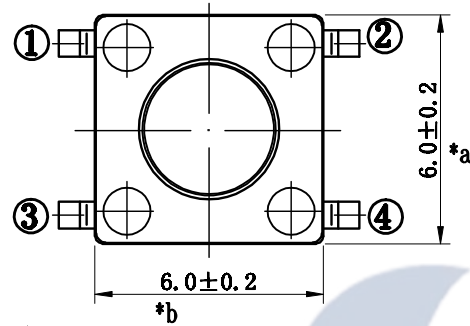
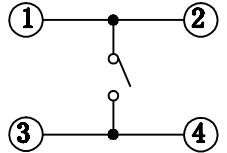


SCHEMATIC



P.C.B LAND DIMENSION

H=4.3mm

E : 操作力 250 ± 50

由 Autodesk 教育版产品制作

由 Autodesk 教育版产品制作

				TOLERANCE UNLESS SPECIFIED							
				UP TO 5mm: ±0.1	ANGULAR	1					
				ABOVE 5mm: ±0.2	±1°	NO	DATE	REVISIONS		BY	APPD
4	CONTACT FOOT	BRASS	4	Ag-Plated	TITLE: TACT SWITCH		UNIT : MM	ROHS COMPLIANT	DWN		
3	COVER	IRON	1	Ni-Plated	MODEL: TC-00104-043E		SCALE: 1:1	CHK'D			
2	BUTTON	PA66	1		HAOYU(HONGKONG)LIMITED 皓宇(香港)有限公司		APPD				
1	HOUSING	PA66	1				PRO.AGL:		REV:A0		
NO.	PART NAME	MATERIAL	QTY	FINISHING							